

CANDY

Installation Manual

Candy Fresco

Ready to refresh

EN | IT





WELCOME

This installation manual is designed for kitchen manufacturers who will deal with these products. To ensure safety and get the best results, please read this manual carefully, including the safety instructions, and keep it for future reference. Before proceeding with the installation, take note of the serial number, as you may need it in case of repairs. Check for any damage during transport and consult a technician when in doubt before using. Always keep all packing material away from children.

i NOTE: Features, pictures in the manual and product accessories may vary depending on the model purchased.

index

1	Safety warnings for installation	p.2
2	Where to install the fridge	p.3
3	Fridge dimensions	p.4 - 5
4	Installation tools	p.6
5	Cabinet dimensions	p.6
5.1	Precautions	
5.2	Dimensions	
6	Furniture and ventilation	p.7
6.1	Installation in column	
7	Installation video step by step	p.8
8	Changing the opening direction of the doors	p.9 - 11
8.1	Reverse hinges	
8.2	Gasket rotation	
9	Instructions for fridge installation	p.12 - 17
9.1	Built in	
9.2	Fixing to the upper shelf of the cabinet	
9.3	Fixing to the lower shelf of the cabinet	
9.4	Fixing to the side of the cabinet	
9.5	Skate application	
9.6	Slider application	
10	Connection to the mains	p.18 - 19
10.1	Safety warnings	
10.2	Warnings	
10.3	Instructions	
10.4	Directions	
10.5	Other advice	
11	Delivery to the user	p.20
12	Disassembling the product	p.20

1 Safety warnings for installation

Observe these directions before beginning the installation of the product.

- Your safety is very important to us. Please read this information carefully before using the product;
- Installation must be carried on by a qualified technician who must know and respect the laws in force in the country of installation and the manufacturer's instructions;
- If the manufacturer service is required to eliminate faults resulting from improper installation, such service is not covered by the warranty;
- Remove the packing material before starting the appliance;
- After unboxing the appliance, always check for damages, in case of any issue contact the customer service before installing and do not connect to the power supply;
- A damaged product can be the cause of a short circuit, electrical shock, fire start and other hazards;
- Check the packaging for accessories or accompanying materials (envelopes with screws, documents, brochures, etc.) remove and store them;
- Before installing the product, ensure the space is well-ventilated to allow circulation of fresh air, which is necessary for proper cooling. Follow the illustrations for minimum opening spaces suggested.
- If the assistance of the manufacturer is required to rectify faults arising from incorrect installation, this assistance is not covered by the warranty. The installation instructions for professionally qualified personnel must be followed;
- Incorrect installation may cause harm or injury to people, animals or belongings. The manufacturer cannot be held responsible for such harm or injury;
- Safe use is only guaranteed if installation has been carried out properly according to these instructions. In case of damage due to improper installation, the responsibility lies with the person who installed the product;
- It is recommended to wear protective gloves during installation to avoid injuries;
- Warranty does not cover damage caused by improper installation;
- In case of incorrect installation, tampering with the device and improper connection, the validity of the product warranty will expire;
- After assembly, the power cord must not come into contact with moving parts (such as a drawer) must not be exposed to mechanical stresses;
- This product requires constant ventilation during use. Do not cover the air vents;
- When delivering the product to the end user, the technician must ensure that it has been installed correctly.

Important warnings

- Do not install the appliance in places where it would be exposed to direct sunlight in order not to affect the performance of the product;
- Install and use this product in a closed, covered, dry and well-ventilated environment;
- Do not install the product in open environments exposed to atmospheric agents;
- Install the product near an electrical outlet;
- Keep the product away from sources of flame;
- Install the appliance along a flat surface in an area suitable for its size and use;
- Clean the appliance with water and a mild detergent and dry it with a soft cloth;
- The appliance is heavy; at least two people are needed to move it;
- After installation, let the refrigerator stand for at least 4 hours before turning it on to allow compressor oil to settle.

This product is intended only for installation in domestic or similar environments, such as:

- The kitchen area intended for the staff of stores, offices and other workplaces;
- In spaces available to staff and customers in hotels, motels and other residential-type settings;
- Beauty farm, Bed & Breakfast (B&B);
- For catering services and similar applications excluding retail.

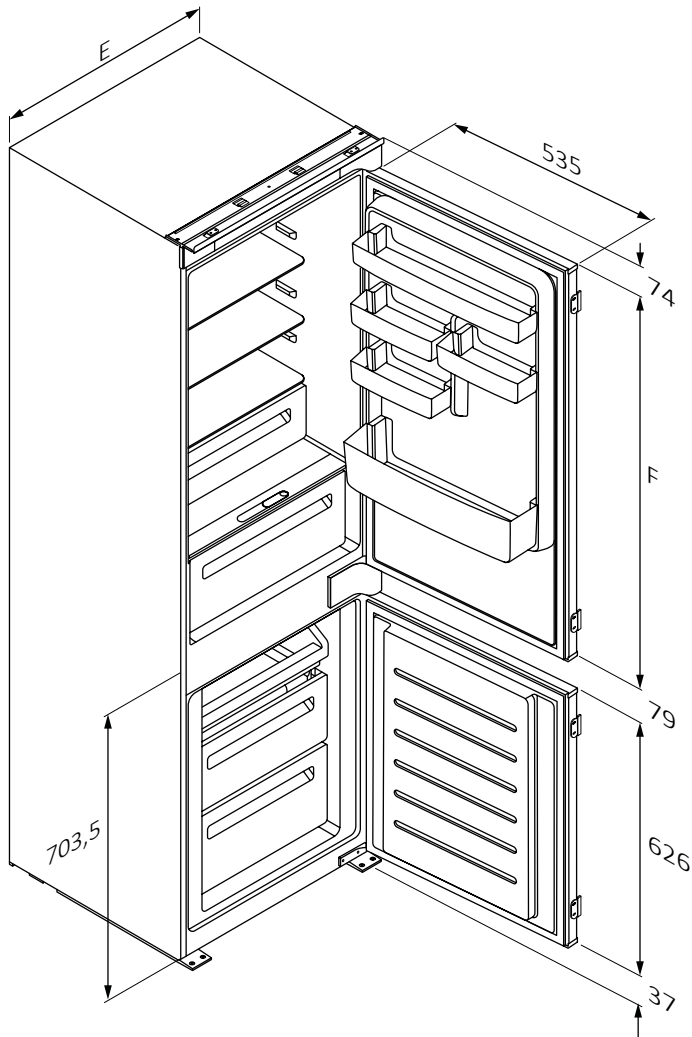
Install this product in a location where the ambient temperature is not lower or higher than the operating temperature indicated on the product data plate: if this happens, the appliance will not work correctly.

- Extended Temperate (SN): “This appliance is intended for use with ambient temperatures between 10 °C and 32 °C”;
- Temperate (N): “This appliance is intended for use with ambient temperatures between 16 °C and 32 °C”;
- Subtropical (ST): “This appliance is intended for use with ambient temperatures between 16 °C and 38 °C”;
- Tropical (T): “This appliance is intended for use with ambient temperatures between 16 °C and 43 °C”.

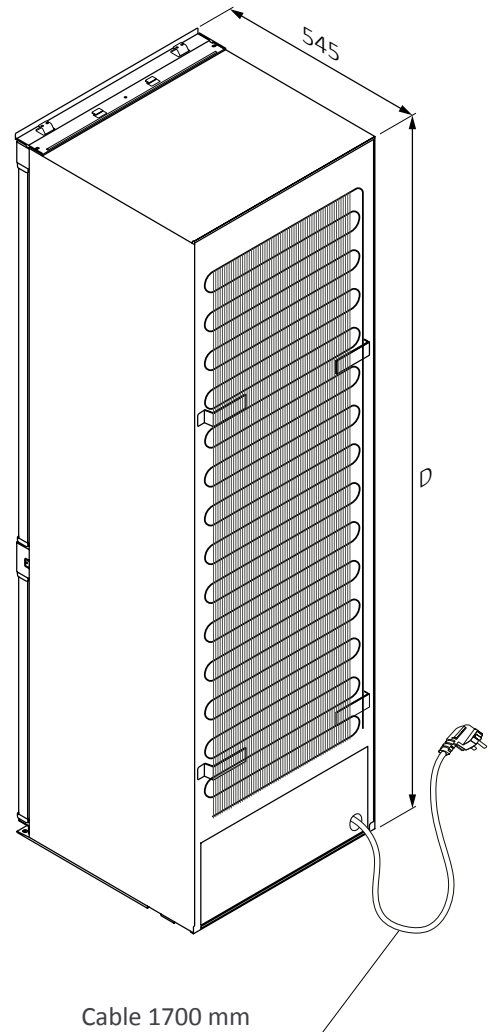
3 Fridge dimensions

Dimensions in **mm**

Frontal axonometric view



Back axonometric view

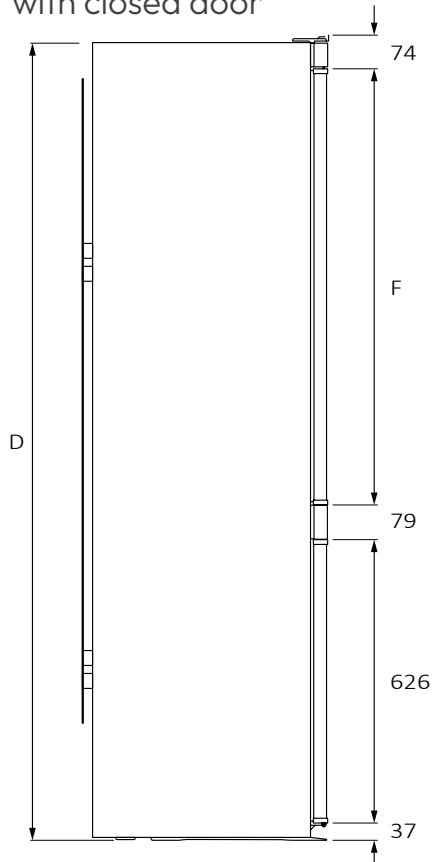


	A -0/+8 (mm)	B (mm)	C 0/+8 (mm)	D (mm)	E (mm)	F (mm)
CB 18M 54	1775	600	560	1772	540	967
CB 20M 54	1938	600	560	1935	540	1130
CB 20M 70	1938	750	710	1935	690	1130

Dimensions in **mm**

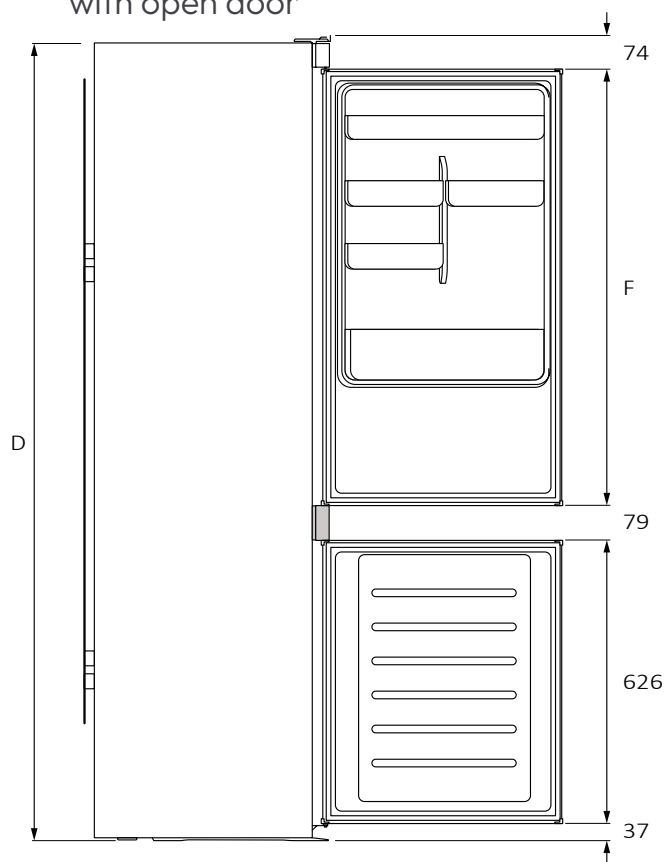
Side view

with closed door



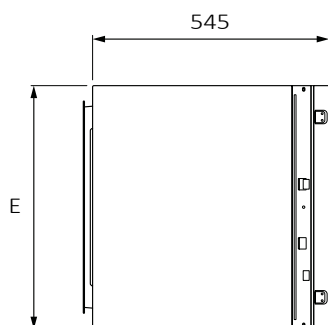
Side view

with open door



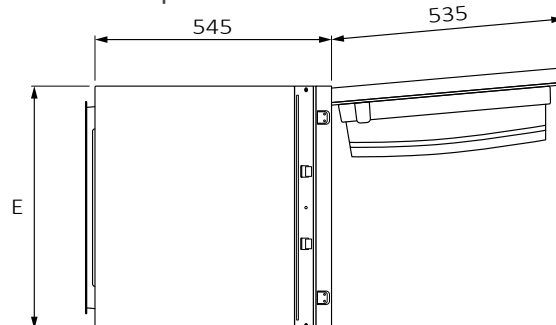
Top view

with closed door



Top view

with open door



Product codes

CBDIT5518EW
CBL3518E
CBL3518E/L
CBL3518EK
CBL3518EVW

CBL3518EVWRU
CBL3518FRU
CBL3519FWRU
CBL5519EVW

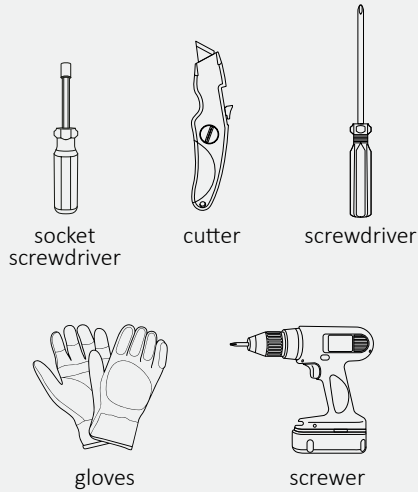
CBT3518EW
CBT3518EWK
CBT3518FW
CBT3518FWRU

CBT3518FWUA
CBT5518DW
CBT5518EW
CBT7719EW

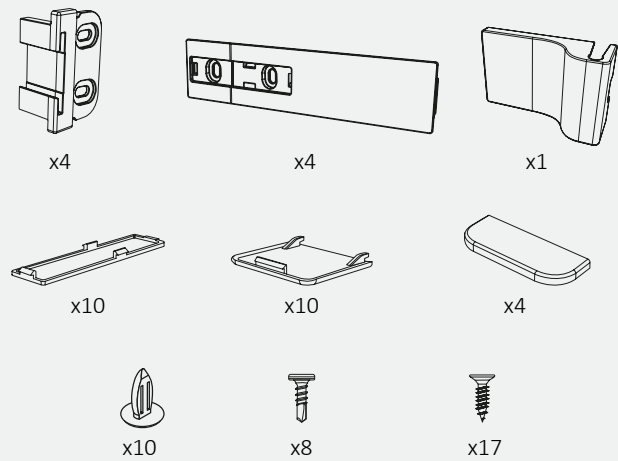
CBT7719FWUA
CCUBT5519EW
CRFL4518FWF
CBL3518ECM

4 Installation tools

Tools needed



Accessories



5 Cabinet dimensions

5.1 Precautions

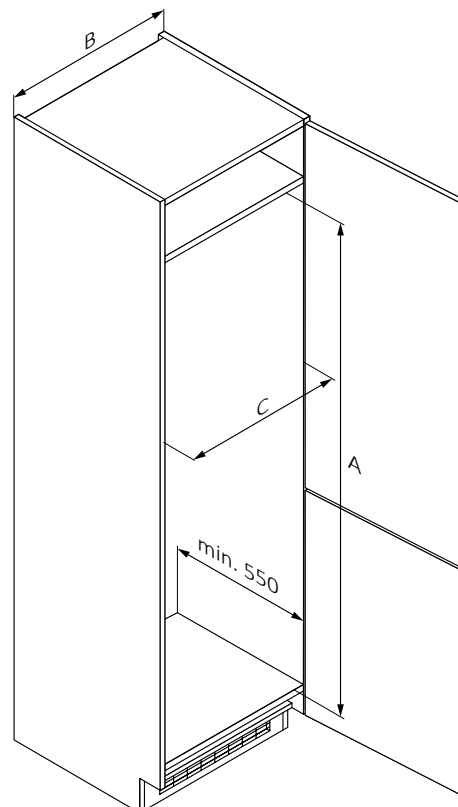
- Provide built in cabinet without a back wall;
- For ventilation of the product, follow the instructions in this manual;
- It is recommended that cabinet is fixed to the wall to prevent tipping over.

5.2 Dimensions

Dimensions in **mm**

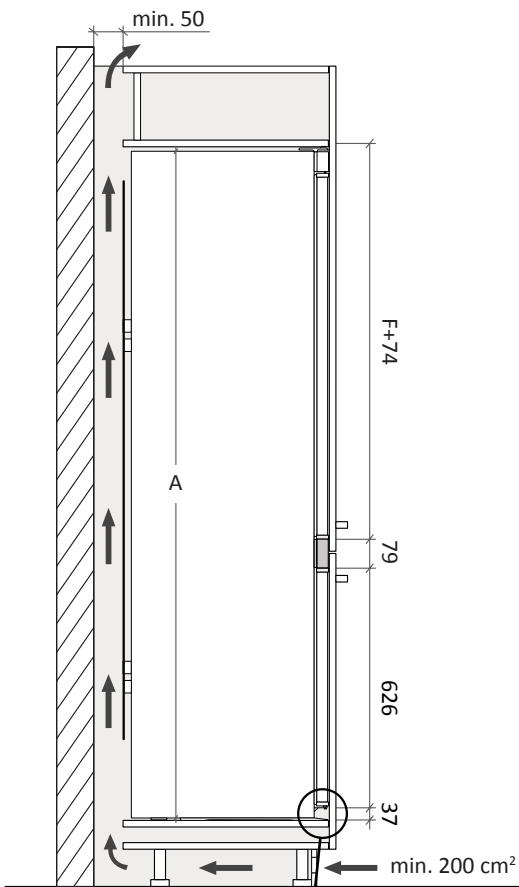
Frontal axonometric view
with open door

	A ^{-0/+8} (mm)	B (mm)	C ^{0/+8} (mm)	D (mm)	E (mm)	F (mm)
CB 18M 54	1775	600	560	1772	540	967
CB 20M 54	1938	600	560	1935	540	1130
CB 20M 70	1938	750	710	1935	690	1130

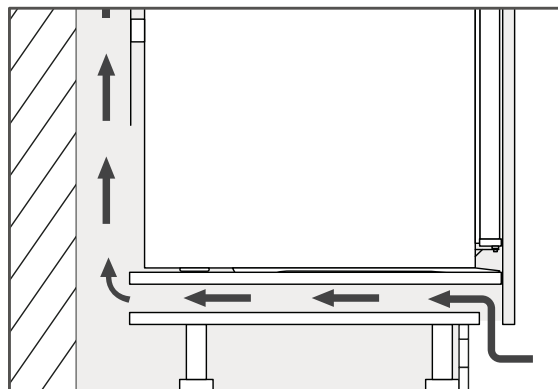
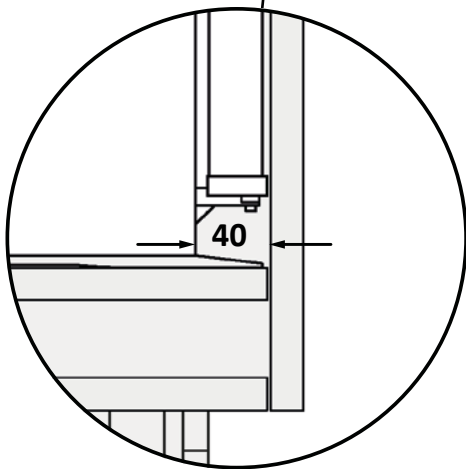
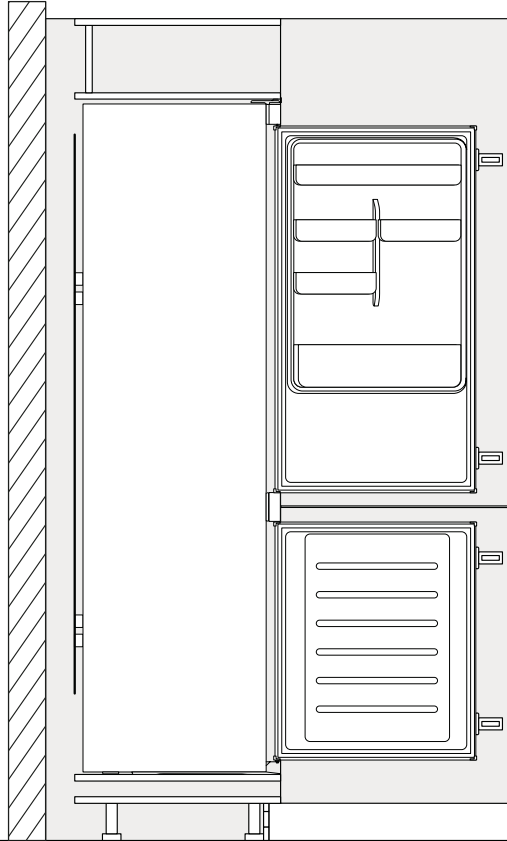


6.1 Installation in column

Side section
with closed door



Side section
with open door




In case it is not possible to make an opening in the baseboard, find an alternative solution to ensure air circulation.

7 Installation video step by step

You can view the product installation video by scanning the Qr Code.

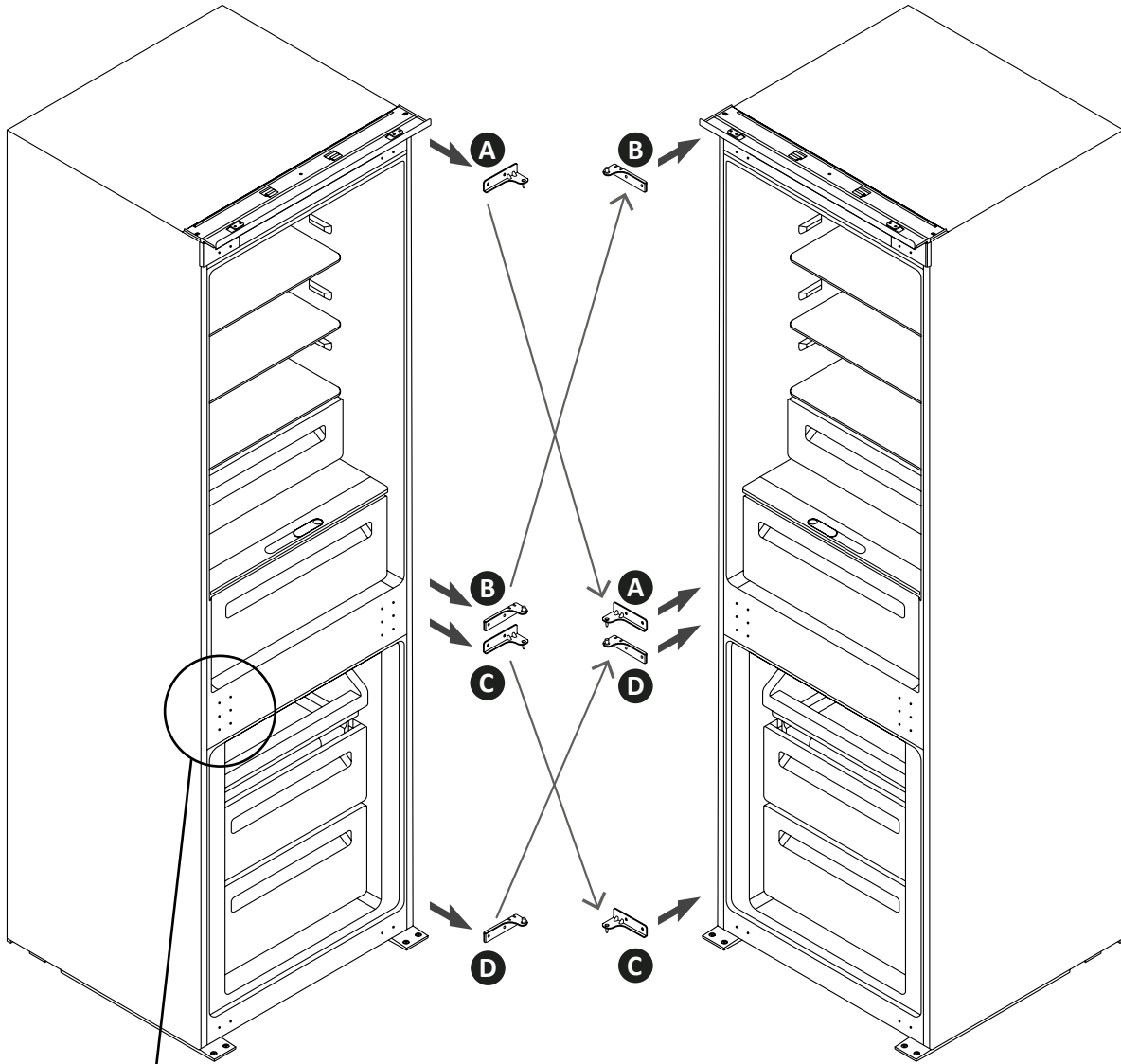


or by clicking this [link](#) 



8.1 Reverse hinges

Note: Follow the instructions only if it is necessary to reverse the opening direction of the doors, otherwise go to the next paragraph.



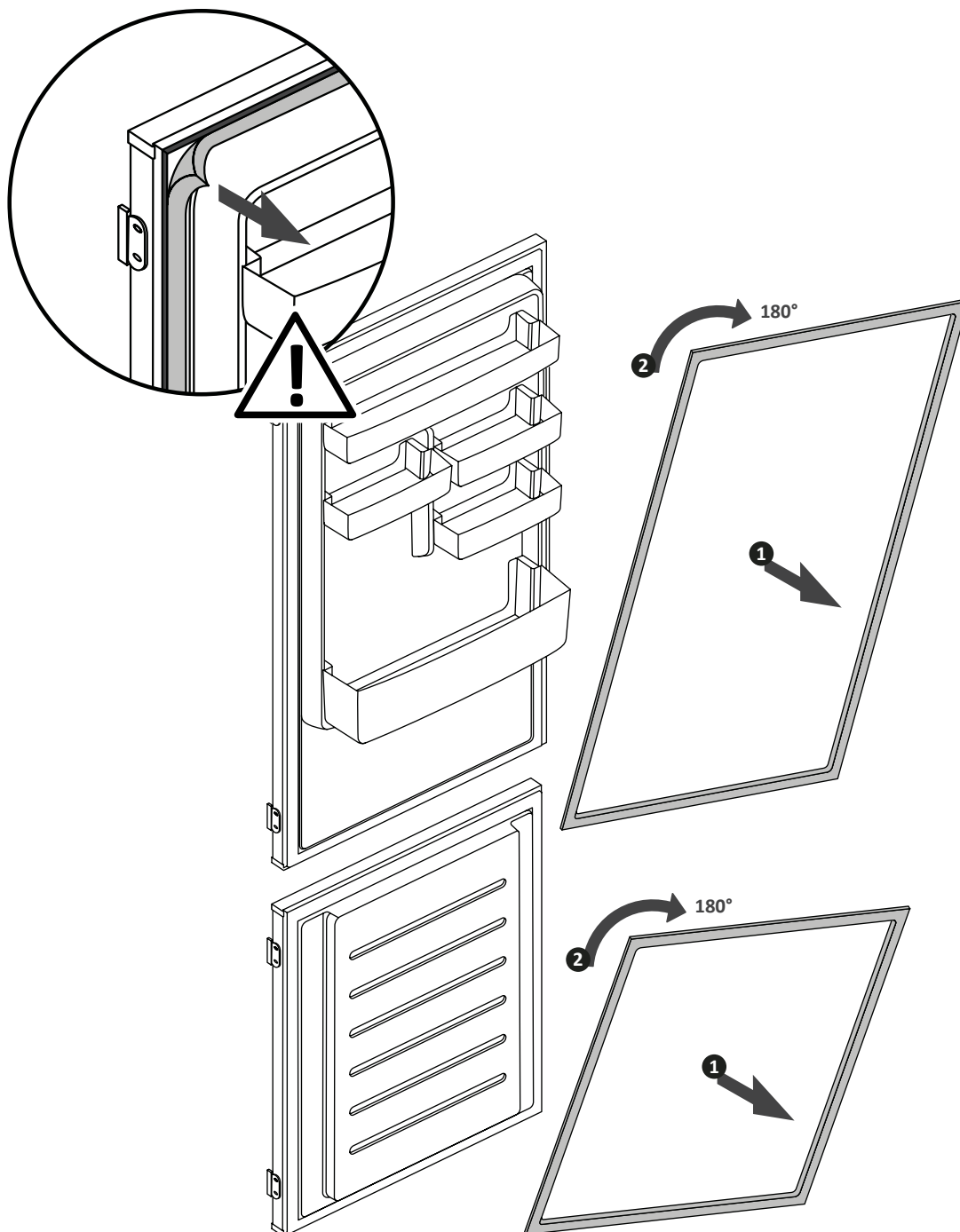
Using a socket screwdriver, remove the hinges and screw them into their new locations to create the thread.

8 Changing the opening direction of the doors

8.2 Gasket rotation

Remove the gaskets from the doors and rotate them 180°.

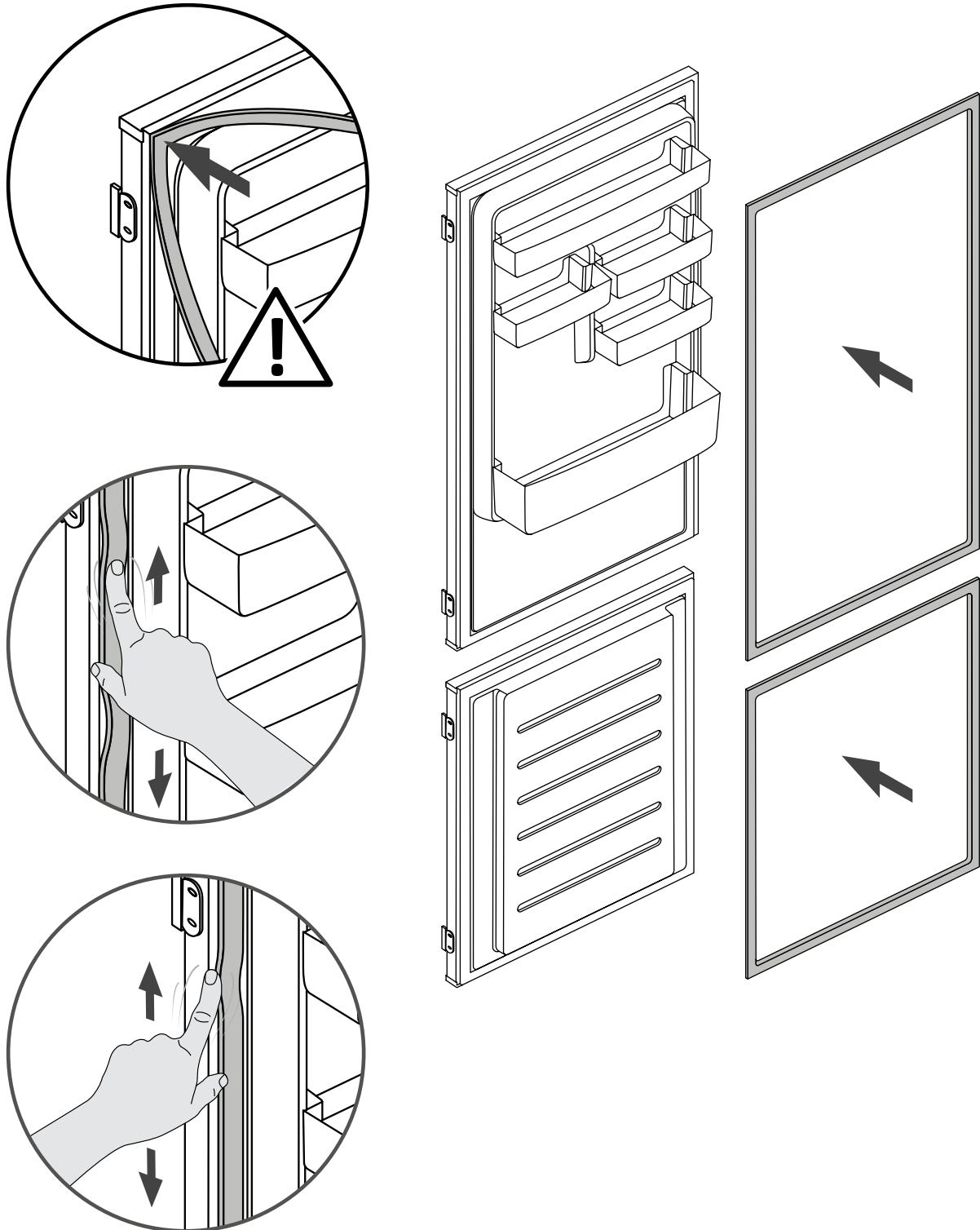
⚠ WARNING: assist the removal of the gasket with your hands to avoid deformation.



8.2 Gasket rotation

Replace the gaskets in the slot and make sure they adhere perfectly to the door.

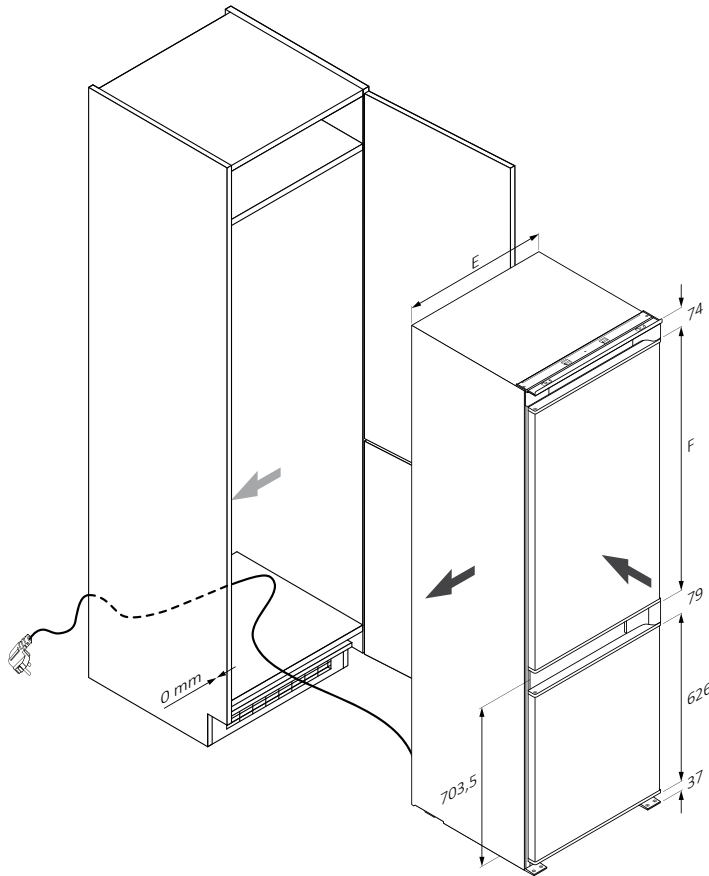
⚠ WARNING: an improperly installed gasket can cause product performance problems.



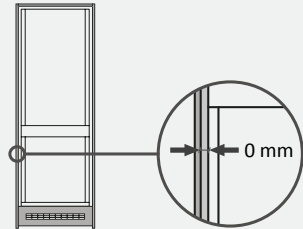
9 Instructions for fridge installation

9.1 Built in

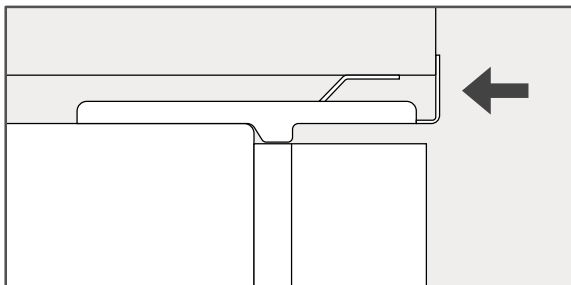
Lift the product in two people and insert it into the built in cabinet, avoiding damages to the power cord.



The fridge must go into closing on the opposite side from the hinge.

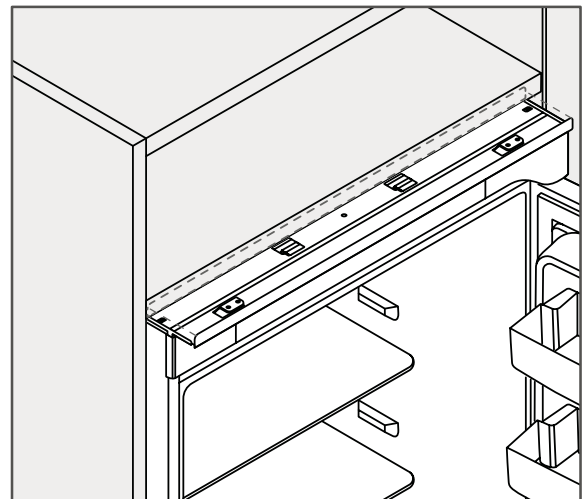


Section of the upper flap upper flap detail

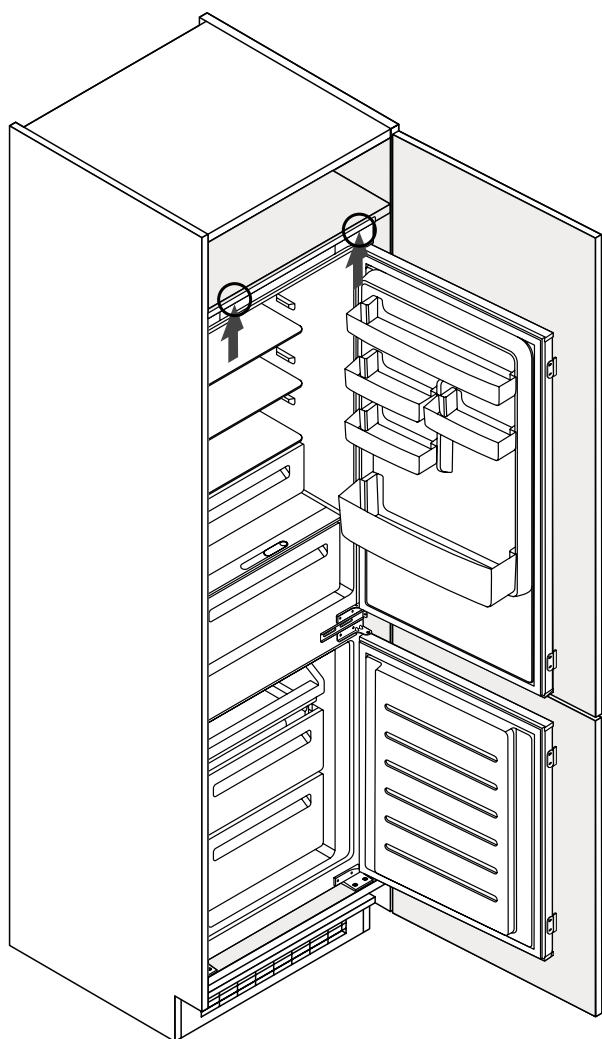


The top flap of the fridge must go into the closing on the cabinet shelf.

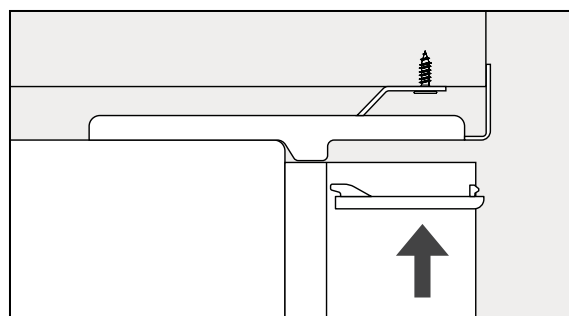
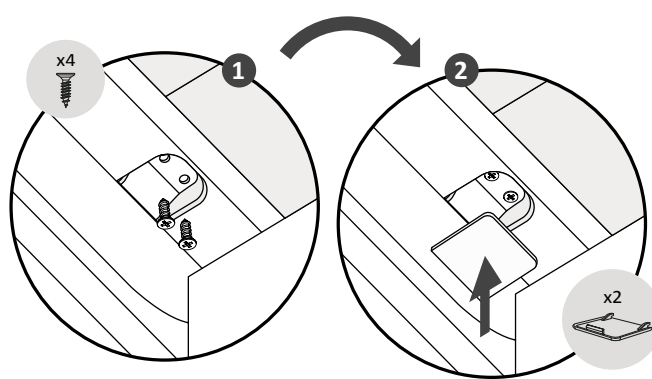
Axonometric view upper flap detail



9.2 Fixing to the upper shelf of the cabinet

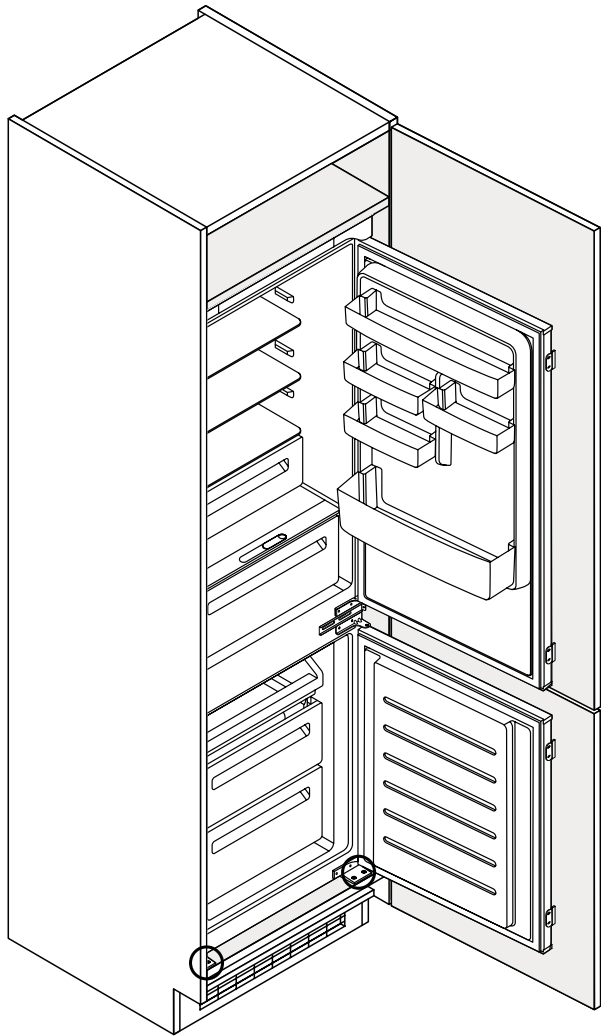


Using the provided screws, attach the upper faceplate to the cabinet shelf and close with the covers.

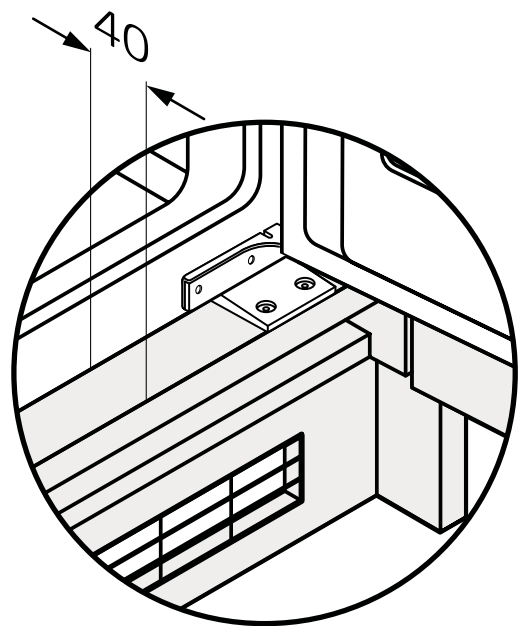
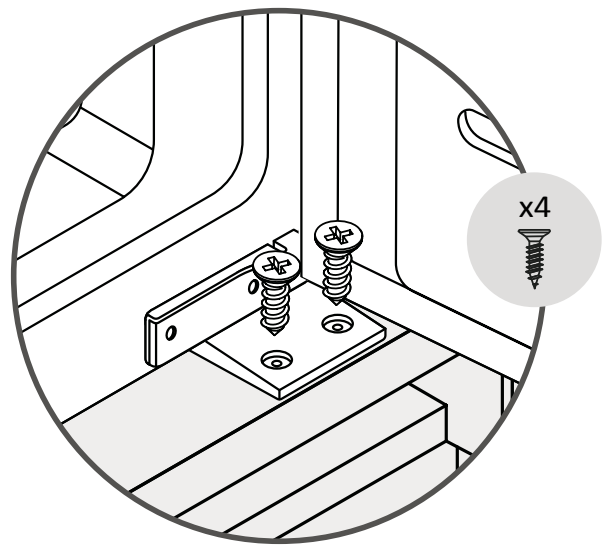


9 Instructions for fridge installation

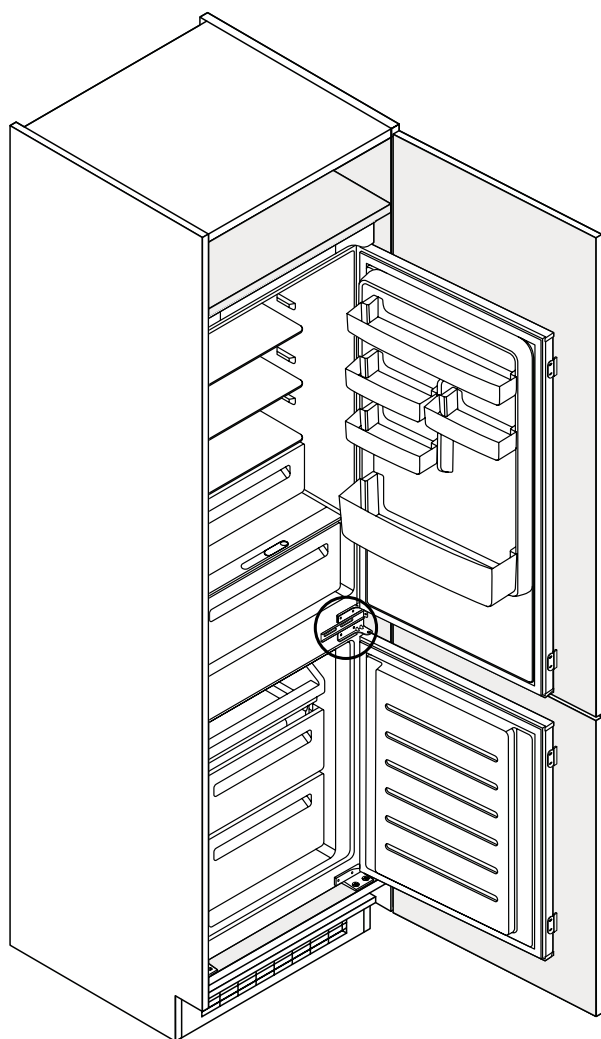
9.3 Fixing to the lower shelf of the cabinet



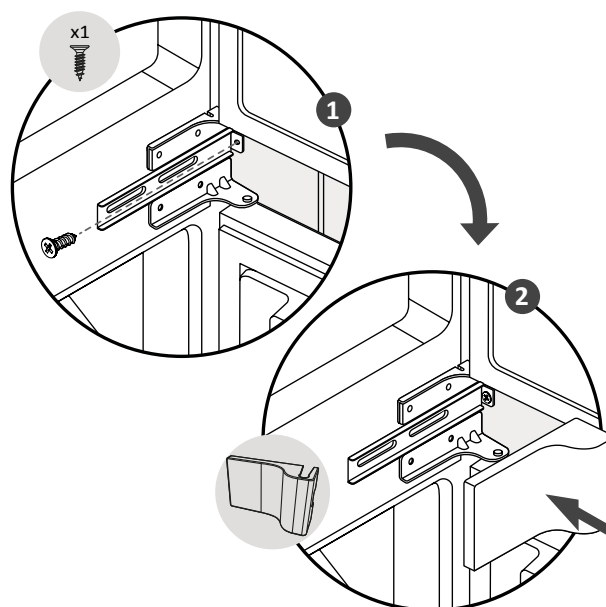
Using the screws provided, attach the feet to the bottom shelf.



9.4 Fixing to the side of the cabinet



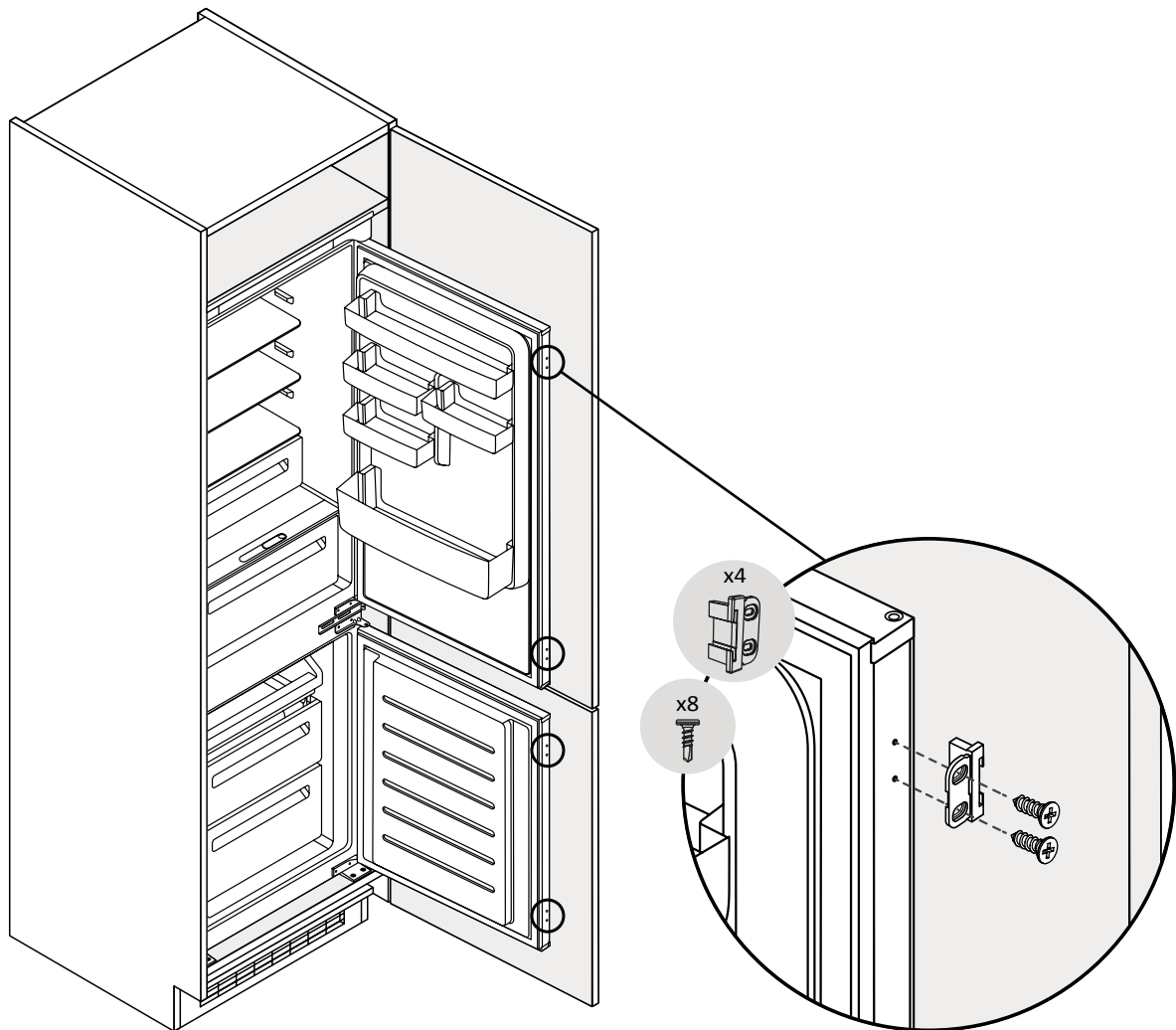
Using the supplied bracket, attach the product to the sidewall.



Once the product is attached to the cabinet through the bracket, place the hinge cover, push it until you hear a 'clap'.

9 Instructions for fridge installation

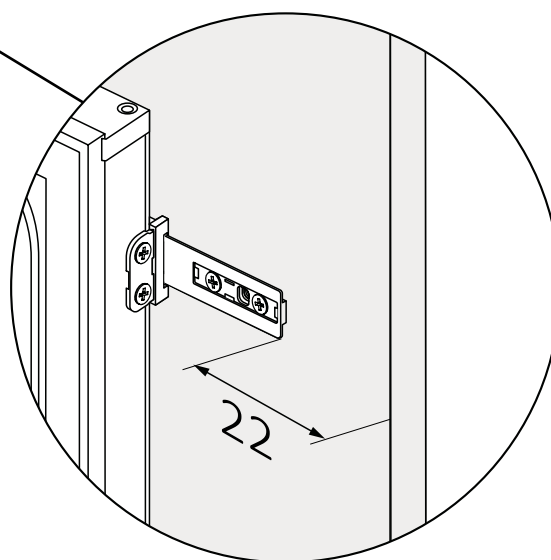
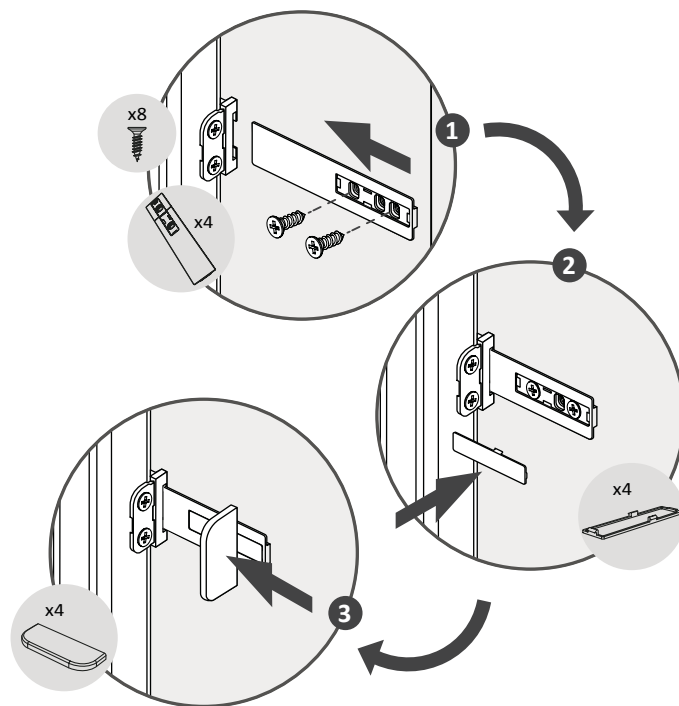
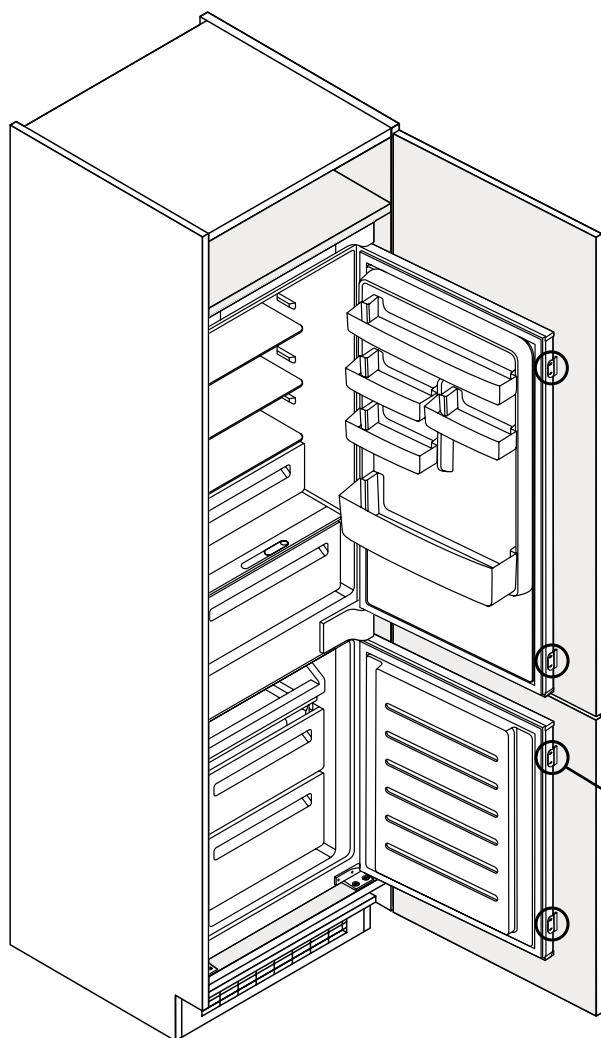
9.5 Skate application



Using the provided screws,
attach the skates to the fridge doors.

9.6 Slider application

Using the screws provided, attach the sliders to the wooden doors.



10 Connection to the mains

10.1 Safety warnings

To carry out the electrical connection of the device safely, observe the following warnings:

- Any improperly performed repair, installation and maintenance can seriously harm the user;
- The producer do not assume any liability for direct or indirect damage caused by incorrect installation, maintenance or repair. It is also not liable for damage caused by missing or interrupted grounding pipeline (electric shock);
- Connect the product using only the power cord;
- The product must be connected to a properly made electrical system;
- In case of incorrect installation, tampering with the device and improper connection, the validity of the product warranty will expire;
- For any repairs, contact Customer Service exclusively and request the use of original spare parts;
- Disconnect the product from the power supply before performing any work or maintenance on it.

10.2 Warnings

- To avoid the risk of fire or electrical shock, do not damage the plug or power cord;
- Do not connect the appliance to power strips, extension cords, or portable power supplies;
- When the appliance is placed in the chosen location, make sure the power cord is not stuck or damaged and that there are no power strips or portable power supplies in the back of the appliance.

10.3 Instructions

Power absorbed

See product data plate.


Differential circuit breaker (life-saving)

The use of a residual current circuit breaker (earth leakage circuit breaker) with trip current complying with current standards is recommended.

⚠ WARNING: The product must be connected to the power supply via an omnipolar disconnection device that ensures a separation between contacts complying with overvoltage category III. Such a device must withstand the maximum loads connected and comply with current standards.

10.4 Directions

- Make sure the electrical specifications on the data plate are in conformity with the power supply;
- The appliance operates on 220-240 Vac/50 Hz electric current.
- Abnormal voltage fluctuations may cause the appliance not to start, damage to the temperature control or compressor, or abnormal noises during operation. In such a case, an automatic regulator should be fitted;
- Ensure that the main cable is not caught under the appliance during and after transportation/movement, to prevent the main cable from being cut or damaged. If the power cord of the appliance should be damaged, do not proceed with the installation and contact service;
- Ensure that the power source, plug, and fuses are conform to the data on the data plate;
- Make sure the power plug is grounded and do not use power strips or extension cords.

 **NOTE (United Kingdom only):** The power cord of the appliance is equipped with a 3-prong plug (grounded) suitable for a standard 3-prong outlet (grounded). Never cut or remove the third prong (ground connection). After installing the appliance, the plug must remain accessible

10.5 Other advice

The use of any household appliance requires adherence to certain basic rules:

- It is recommended to keep the plug clean: any dirt residue on the plug may cause fire;
- Do not pull the power cord to disconnect the appliance from the power supply while operating;
- Do not touch the appliance with wet or damp hands or feet;
- The use of adapters, power strips or extension cords is discouraged;
- In case of malfunction and/or performance drop, turn off the appliance and do not manipulate/alter it.


11 Delivery to the user

At the end of installation:

- Inform the user about essential functions;
- Inform the user about all aspects relevant to safe use and handling;
- Deliver accessories and instructions for use and assembly to the user to be kept with care.

After installation is complete, remove the protective film, tape, and all other packing materials.

- After turning the fridge on, wait at least 2 hours before placing food in the appliance to ensure the correct temperature inside the fridge.

 **WARNING:** The product requires adequate ventilation for normal operation. Do not obstruct the ventilation openings for any reason.

 **NOTE:** The actual appearance of the oven depends on the model chosen.

12 Disassembling the product

- Disconnect the product from the power supply;
- Unscrew the fixing screws;
- Lift the product slightly and pull it out completely;
- This product will not damage the cabinet, which can also be used with a new appliance.





BENVENUTI

Questo manuale di installazione è pensato per i produttori delle cucine che accoglieranno questi prodotti. Per garantire la sicurezza e ottenere i migliori risultati, leggere attentamente questo manuale, comprese le istruzioni di sicurezza, e conservarlo per riferimenti futuri. Prima di procedere con l'installazione, prendere nota del numero di serie, in quanto potrebbe essere necessario in caso di riparazioni. Verificare eventuali danni durante il trasporto e consultare un tecnico in caso di dubbi prima dell'utilizzo. Tenere sempre tutto il materiale da imballaggio a distanza di sicurezza dai bambini.

i NOTA: Le caratteristiche, le immagini contenute nel manuale e gli accessori del prodotto possono variare a seconda del modello acquistato.

indice

1	Avvisi di sicurezza per l'installazione	p.2
2	Dove Installare il prodotto	p.3
3	Dimensioni frigorifero	p.4 - 5
4	Strumenti per l'installazione	p.6
5	Dimensioni del mobile	p.6
5.1	Precauzioni	
5.2	Dimensioni	
6	Mobili e ventilazione	p.7
6.1	Installazione in colonna	
7	Video di installazione step by step	p.8
8	Cambiare il verso di apertura delle porte	p.9 - 11
8.1	Inversione delle cerniere	
8.2	Rotazione della guarnizione	
9	Indicazioni relative all'installazione del frigorifero	p.12 - 17
9.1	Incasso	
9.2	Fissaggio al ripiano fisso superiore del mobile	
9.3	Fissaggio al ripiano fisso inferiore del mobile	
9.4	Fissaggio al fianco del mobile	
9.5	Applicazione carrelli	
9.6	Applicazione pattini	
10	Connessione alla rete elettrica	p.18 - 19
10.1	Avvisi di sicurezza	
10.2	Avvertenze	
10.3	Istruzioni	
10.4	Indicazioni	
10.5	Altri consigli	
11	Consegna all'utente	p.20
12	Smontaggio del prodotto	p.20

Osservare le presenti indicazioni prima di iniziare l'installazione del prodotto. La vostra sicurezza è molto importante per noi. Leggere attentamente queste informazioni prima di utilizzare il prodotto.

- L'installazione deve essere effettuata da un tecnico qualificato che deve conoscere e rispettare le leggi vigenti nel paese di installazione e le istruzioni del fabbricante;
- Se è richiesta l'assistenza del produttore per eliminare guasti derivanti da un'errata installazione, tale assistenza non è coperta dalla garanzia;
- Rimuovere il materiale di imballaggio prima di mettere in funzione l'elettrodomestico;
- Dopo aver disimballato il prodotto verificare che non sia danneggiato e, in caso di problemi, contattare il centro assistenza, prima di procedere con l'installazione e non collegarlo alla rete elettrica;
- Un prodotto danneggiato può essere la causa di un corto circuito, una scossa elettrica, un principio d'incendio e altri pericoli;
- Verificare se nell'imballo ci sono accessori o materiali di corredo (buste con viti, documenti, opuscoli etc.) e, nel caso, rimuoverli e conservarli;
- Prima di installare l'elettrodomestico, accertarsi che la ventilazione sia sufficiente per consentire la corretta circolazione dell'aria fresca necessaria per il raffreddamento e la salvaguardia dei componenti interni. In base al tipo di sistemazione, praticare le aperture specificate sulle illustrazioni;
- Se occorre l'assistenza del fabbricante per eliminare eventuali guasti dovuti all'installazione errata, tale assistenza non è coperta dalla garanzia. Attenersi alle istruzioni per l'installazione fornite per il personale qualificato;
- Un'errata installazione può causare danni o lesioni a persone, animali o cose. Il produttore non può essere ritenuto responsabile per tali danni o lesioni;
- L'utilizzo sicuro viene garantito solo se l'installazione è stata effettuata in modo corretto secondo le presenti istruzioni. In caso di danni dovuti a un montaggio scorretto la responsabilità ricade su chi ha installato il prodotto;
- Si consiglia di indossare guanti protettivi durante l'installazione per evitare lesioni da taglio;
- La garanzia non copre danni causati da un'installazione errata;
- In caso di installazione errata, manomissione dell'apparecchio e collegamento non conforme, decade la validità della garanzia del prodotto;
- Dopo il montaggio, il cavo di alimentazione non deve entrare in contatto con parti mobili dei componenti della cucina (ad esempio un cassetto) e non deve essere esposto a sollecitazioni meccaniche;
- Questo prodotto richiede una costante ventilazione durante l'uso. Non coprire le prese d'aria;
- Ad installazione ultimata, il tecnico deve assicurarsi che il prodotto sia stato installato correttamente.

Avvertenze importanti

- Non installare l'elettrodomestico in punti in cui risulterebbe esposto alla luce solare diretta al fine di non alterare le prestazioni del prodotto;
- Installare e utilizzare questo prodotto in un ambiente chiuso, coperto, asciutto e ben ventilato;
- Non installare il prodotto in ambienti aperti ed esposti agli agenti atmosferici;
- Installare il prodotto in prossimità di una presa elettrica;
- Tenere il prodotto lontano da fonti di fiamme;
- Installare l'elettrodomestico lungo una superficie piana, in un'area adatta alle dimensioni e all'uso;
- Pulire l'elettrodomestico con acqua e un detergente delicato e asciugarlo con un panno morbido;
- L'elettrodomestico è pesante; per spostarlo occorrono almeno due persone;
- Dopo l'installazione, lasciare riposare il frigorifero per almeno 4 ore prima dell'accensione per consentire all'olio del compressore di depositarsi.

Questo prodotto è destinato unicamente all'installazione in ambiente domestico o simili, quali:

- La zona cucina destinata al personale di negozi, uffici e altri ambienti lavorativi;
- Negli spazi disponibili al personale e alla clientela di hotel, motel e altri ambienti di tipo residenziale;
- Beauty farm, Bed & Breakfast (B&B);
- Per servizi di catering ed applicazioni simili esclusa la vendita al dettaglio.

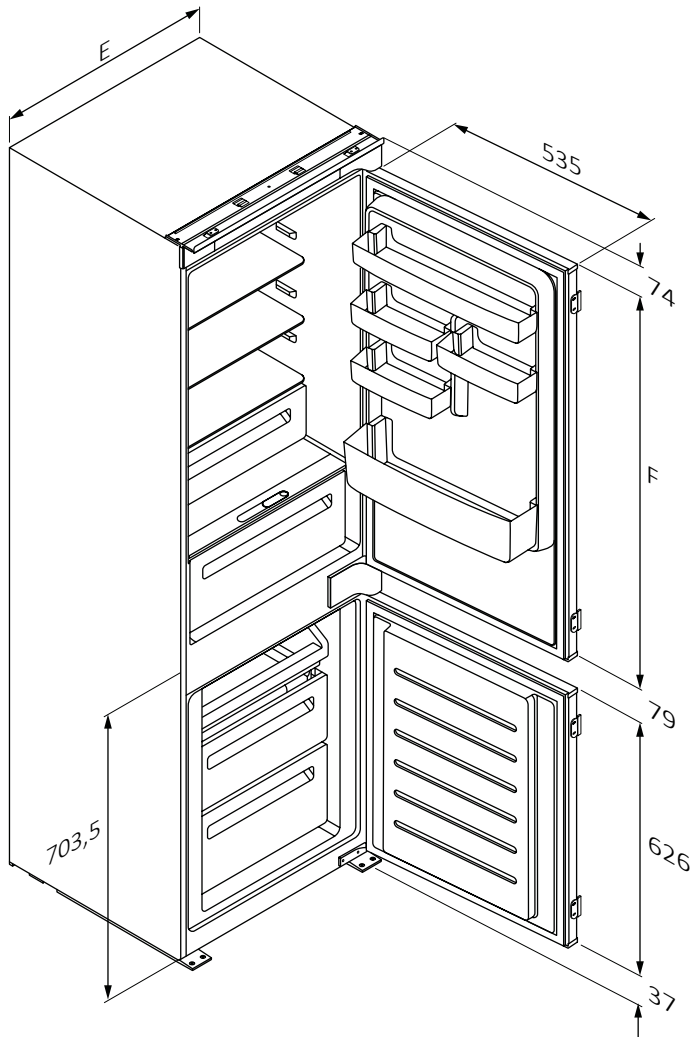
Installare questo prodotto in una posizione dove la temperatura ambiente non sia inferiore o superiore alla temperatura di funzionamento indicata sulla targhetta prodotto: in tal caso l'elettrodomestico non funziona correttamente.

- Temperata estesa (SN): "Questo elettrodomestico è destinato all'uso con temperature ambiente comprese tra 10 °C e 32 °C";
- Temperata (N): "Questo elettrodomestico è destinato all'uso con temperature ambiente comprese tra 16 °C e 32 °C";
- Subtropicale (ST): "Questo elettrodomestico è destinato all'uso con temperature ambiente comprese tra 16 °C e 38 °C";
- Tropicale (T): "Questo elettrodomestico è destinato all'uso con temperature ambiente comprese tra 16 °C e 43 °C".

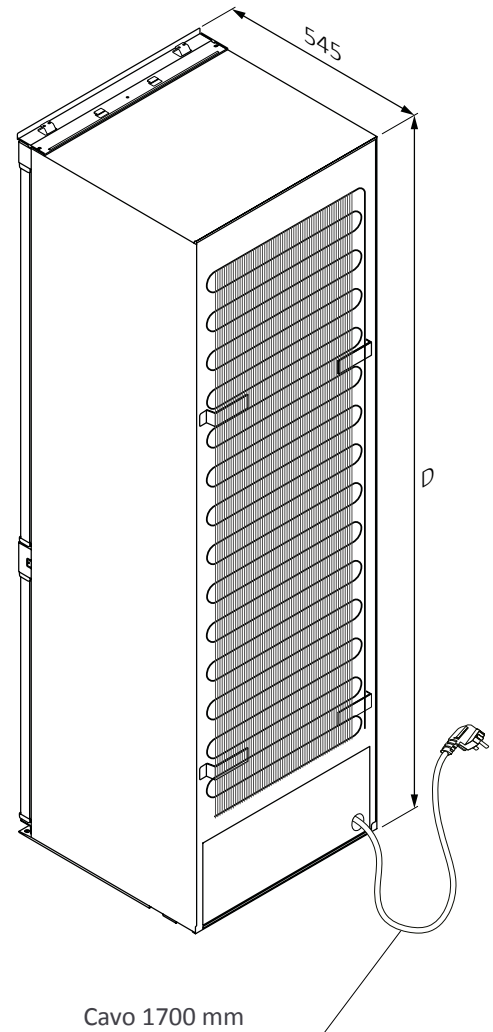
3 Dimensioni frigorifero

Dimensioni in mm

Vista assometrica frontale



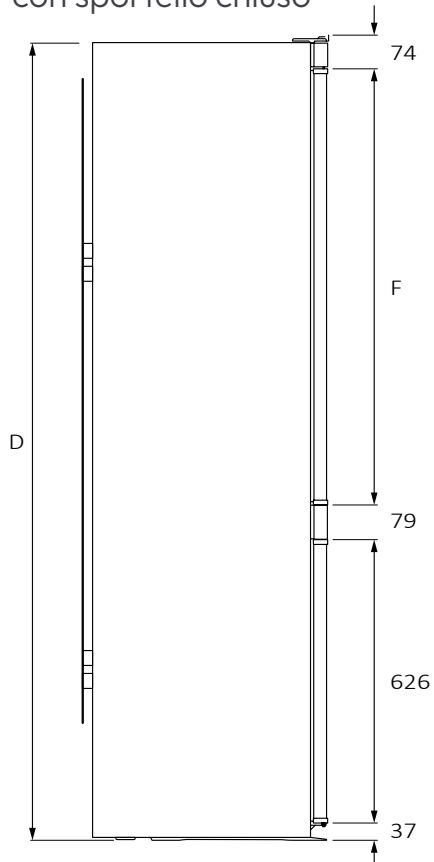
Vista assometrica posteriore



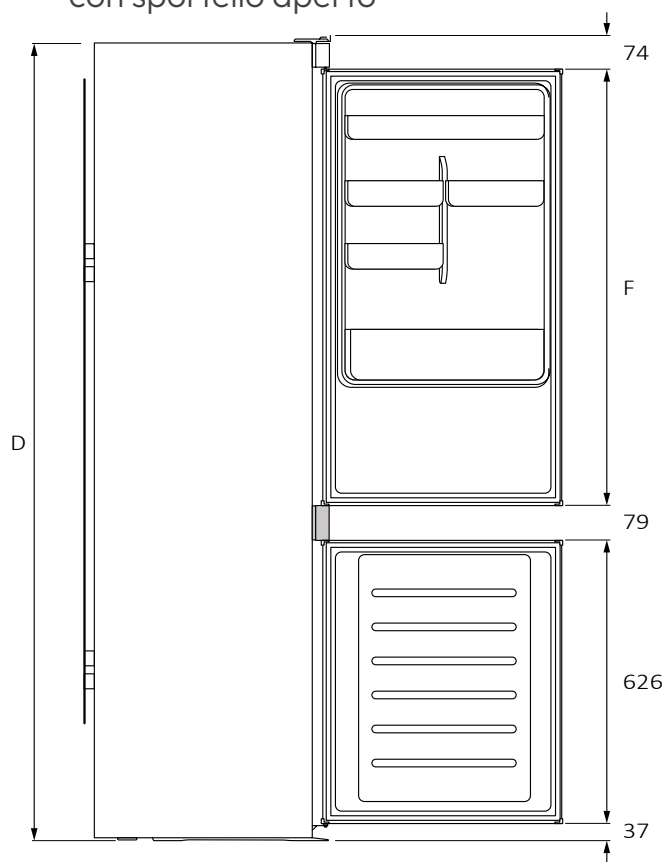
	A -0/+8 (mm)	B (mm)	C 0/+8 (mm)	D (mm)	E (mm)	F (mm)
CB 18M 54	1775	600	560	1772	540	967
CB 20M 54	1938	600	560	1935	540	1130
CB 20M 70	1938	750	710	1935	690	1130

Dimensioni in **mm**

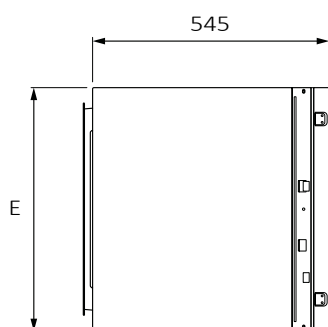
Vista laterale
con sportello chiuso



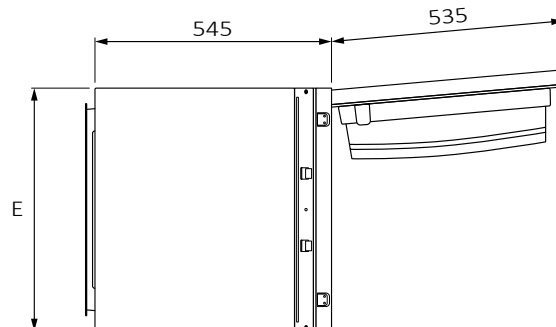
Vista laterale
con sportello aperto



Vista superiore
con sportello chiuso



Vista superiore
con sportello aperto



codici prodotto

CBDIT5518EW
CBL3518E
CBL3518E/L
CBL3518EK
CBL3518EVW

CBL3518EVWRU
CBL3518FRU
CBL3519FWRU
CBL5519EVW

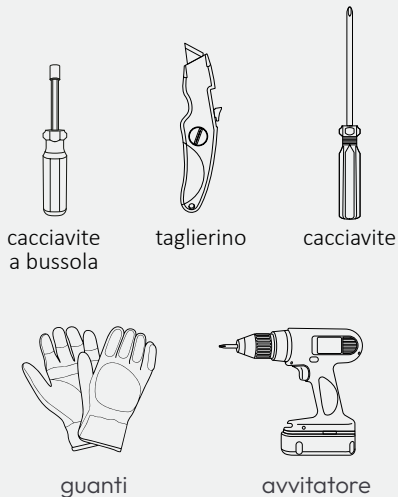
CBT3518EW
CBT3518EWK
CBT3518FW
CBT3518FWRU

CBT3518FWUA
CBT5518DW
CBT5518EW
CBT7719EW

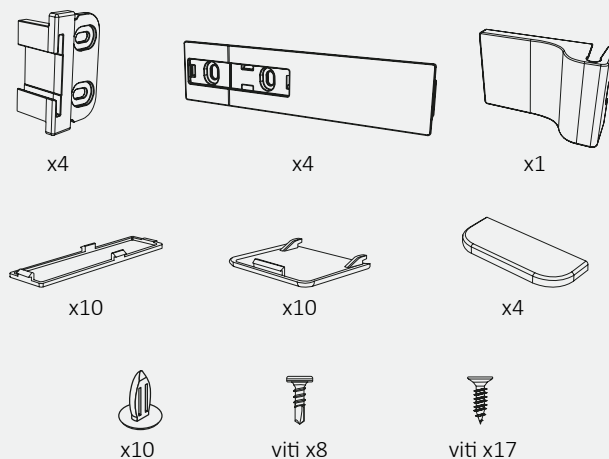
CBT7719FWUA
CCUBT5519EW
CRFL4518FWF
CBL3518ECM

4 Strumenti per l'installazione

Strumenti necessari



Accessori



5 Dimensioni del mobile

5.1 Precauzioni

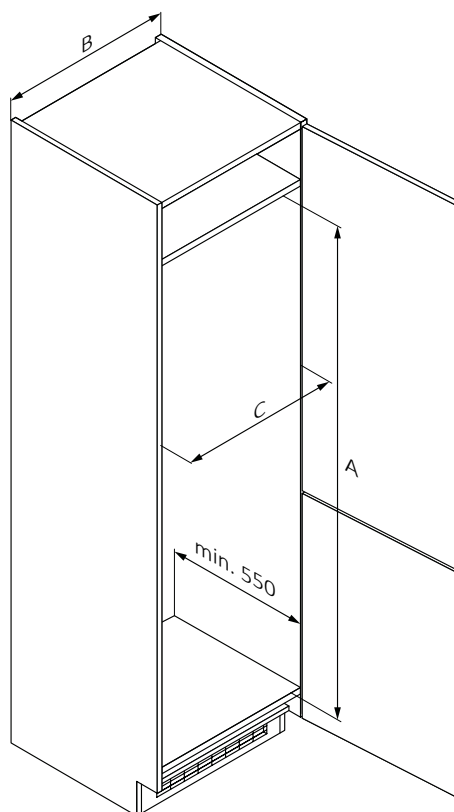
- Prevedere il vano incasso senza parete posteriore;
- Per la ventilazione del prodotto seguire le istruzioni riportate in questo manuale;
- Si consiglia di fissare il mobile alla parete per evitare il ribaltamento.

5.2 Dimensioni

Dimensioni in mm

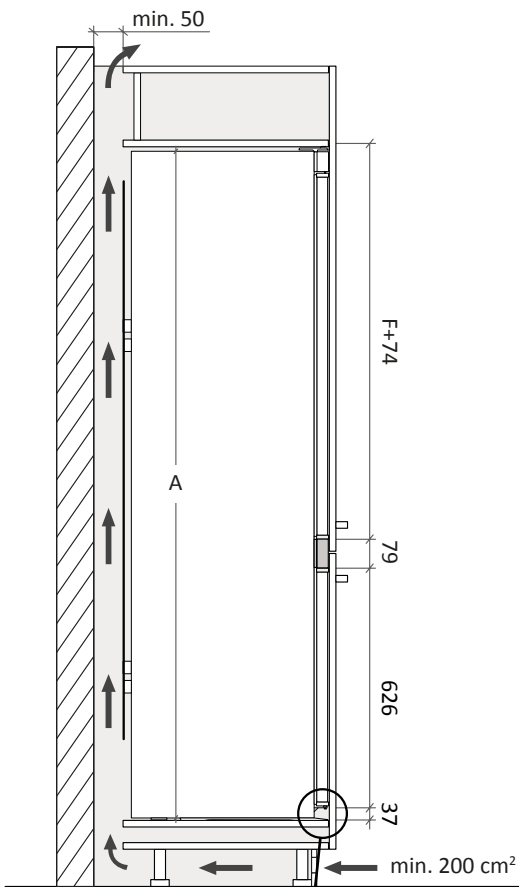
Vista assonometrica frontale con sportello aperto

	A ^{-0/+8} (mm)	B (mm)	C ^{0/+8} (mm)	D (mm)	E (mm)	F (mm)
CB 18M 54	1775	600	560	1772	540	967
CB 20M 54	1938	600	560	1935	540	1130
CB 20M 70	1938	750	710	1935	690	1130

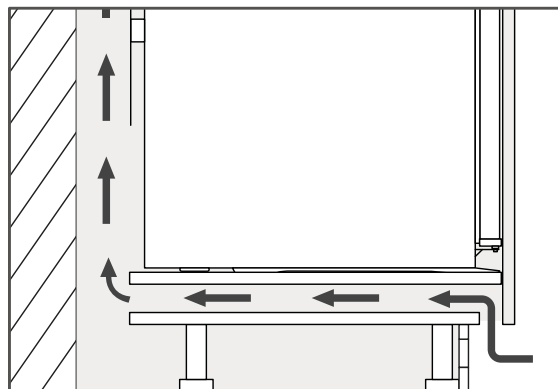
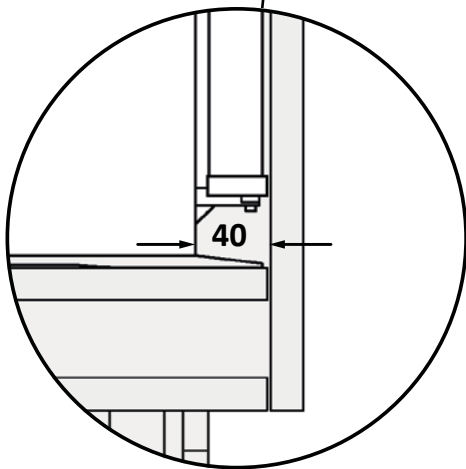
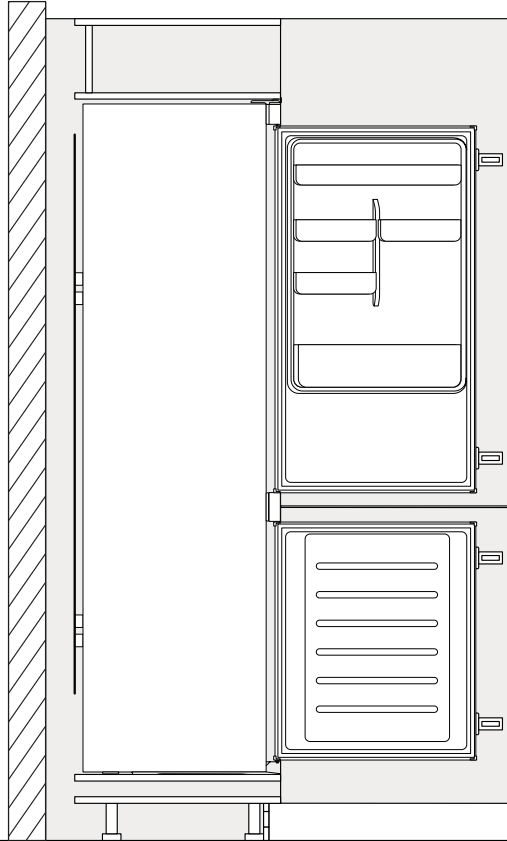


6.1 Installazione in colonna

Sezione laterale con sportello chiuso



Sezione laterale con sportello aperto



Nel caso in cui non fosse possibile praticare un'apertura nello zoccolo, trovare una soluzione alternativa per garantire la circolazione dell'aria.

7 Video di installazione step by step

È possibile visionare il video d'installazione del prodotto scansionando il Qr Code.

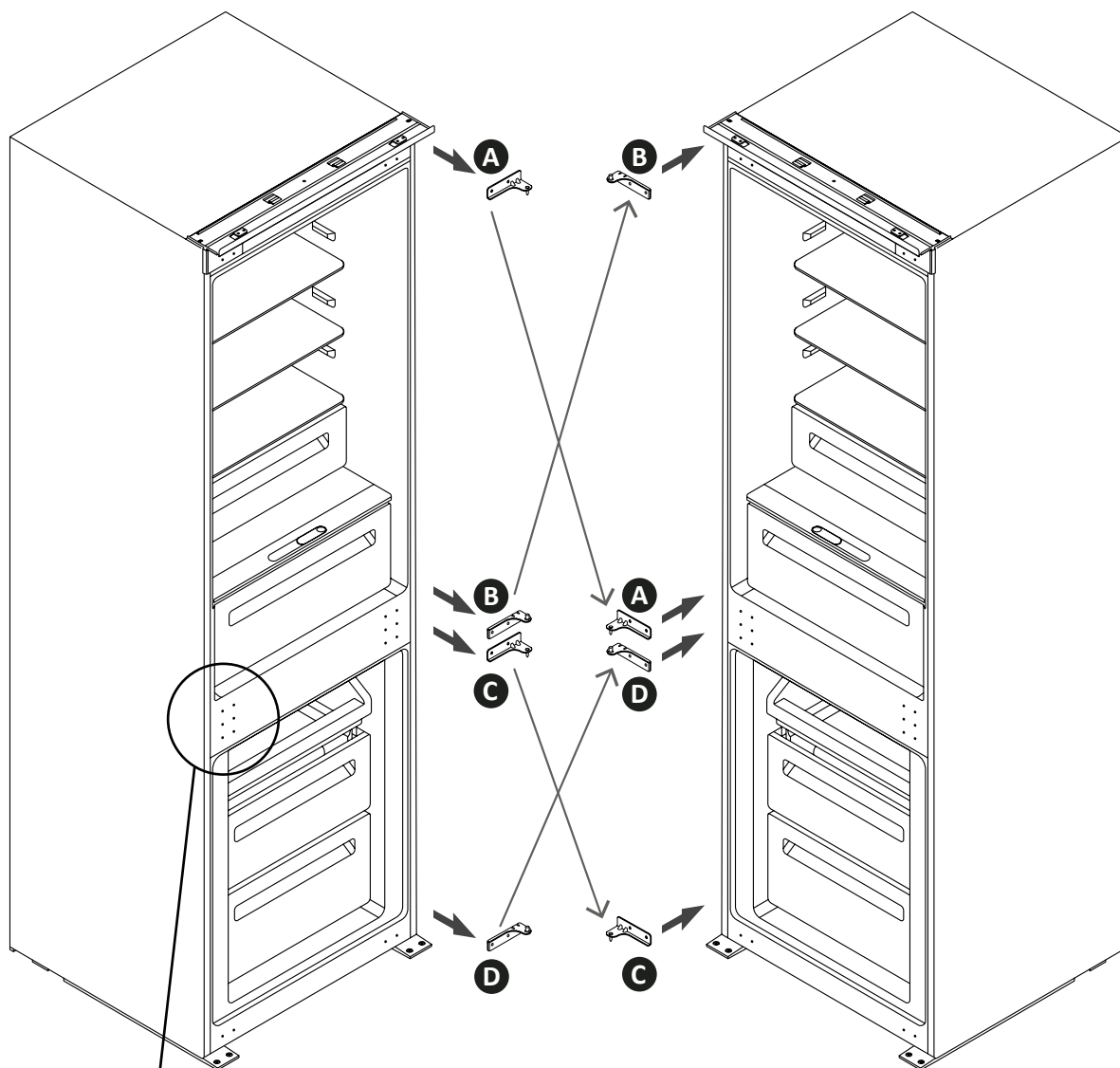


Oppure cliccando al seguente **link** 



8.1 Inversione delle cerniere

Nota: seguire le seguenti indicazioni solo se risulta necessario invertire il verso d'apertura delle porte, altrimenti passare al paragrafo successivo.



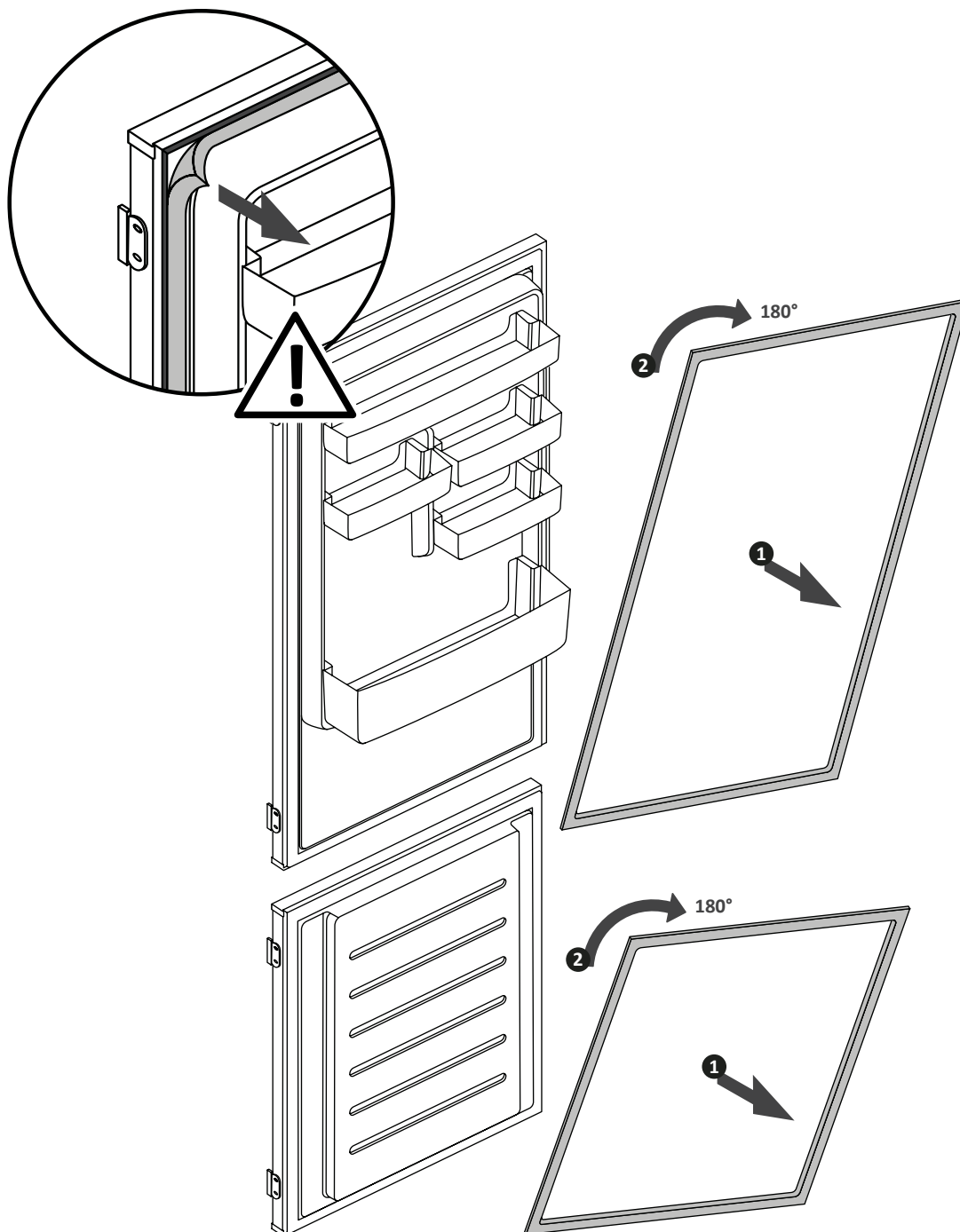
Con l'aiuto di una chiave a bussola, svitare le viti e avvitarle nelle nuove sedi, creando la filettatura.

8 Cambiare il verso di apertura delle porte

8.2 Rotazione della guarnizione

Rimuovere le guarnizioni dalle porte e ruotarle di 180°.

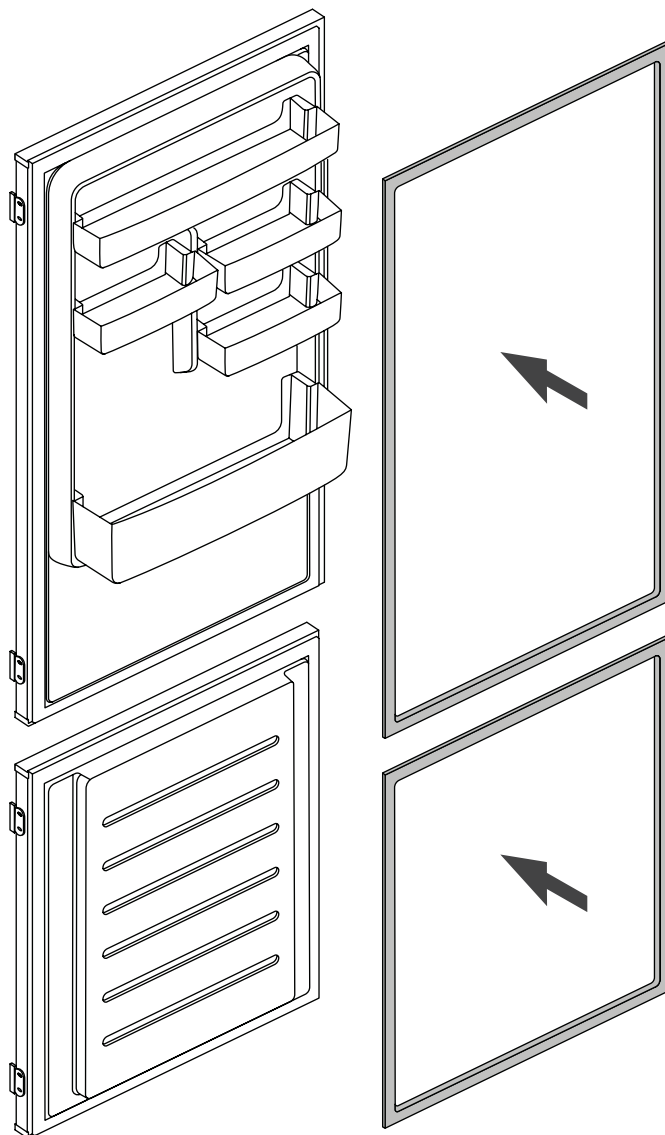
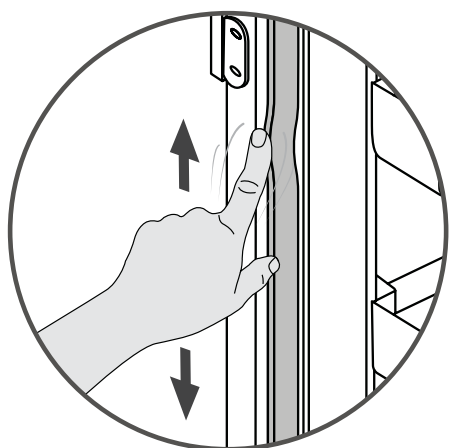
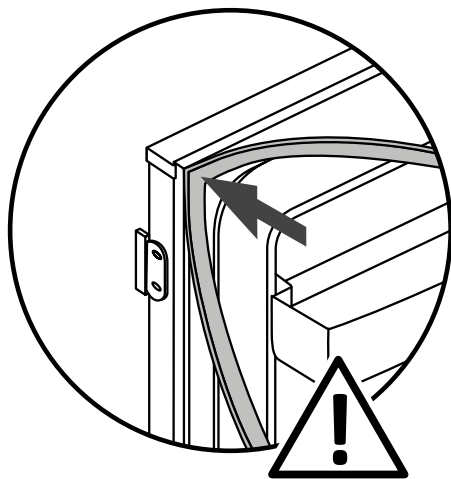
⚠ ATTENZIONE: accompagnare con le mani la rimozione della guarnizione per evitare di deformarla.



8.2 Rotazione della guarnizione

Riposizionare le guarnizioni nella sede e assicurarsi che aderiscano perfettamente alla porta.

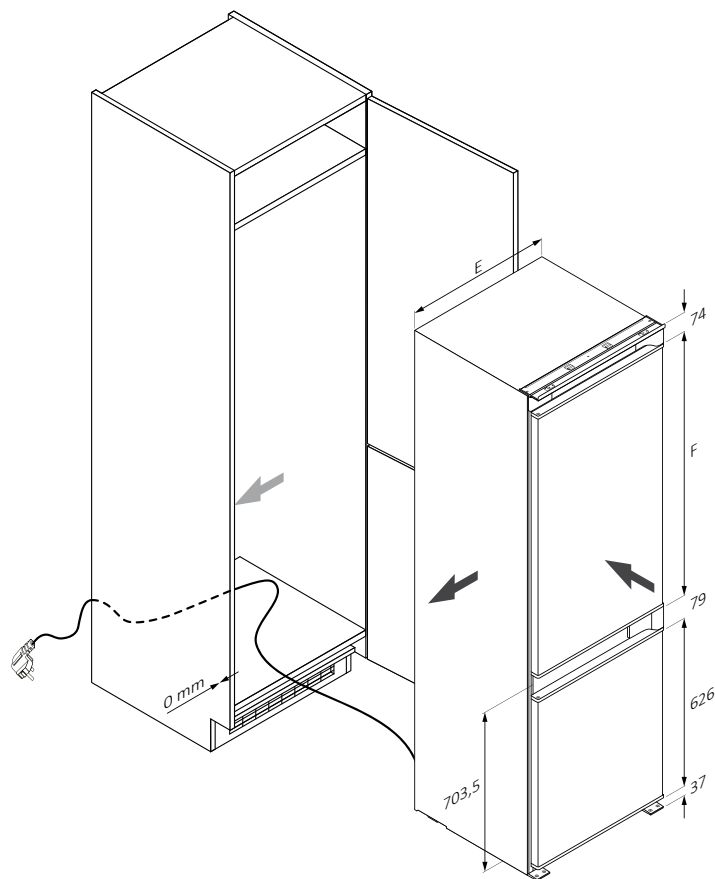
⚠ ATTENZIONE: una guarnizione installata non correttamente puo' causare problemi di performance del prodotto.



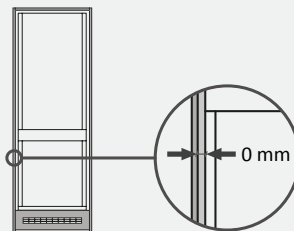
9 Indicazioni relative all'installazione del frigorifero

9.1 Incasso

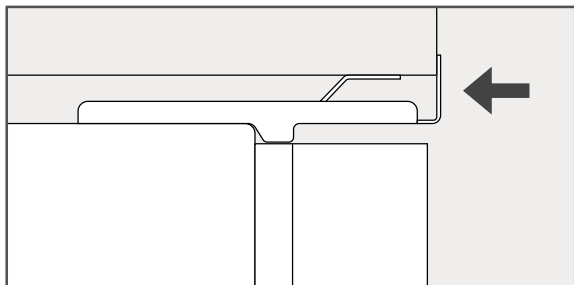
Sollevarlo il prodotto in due persone ed inserirlo nel vano incasso, facendo attenzione a non danneggiare il cavo di alimentazione.



Il frigorifero deve andare in battuta dalla parte opposta rispetto alla cerniera.

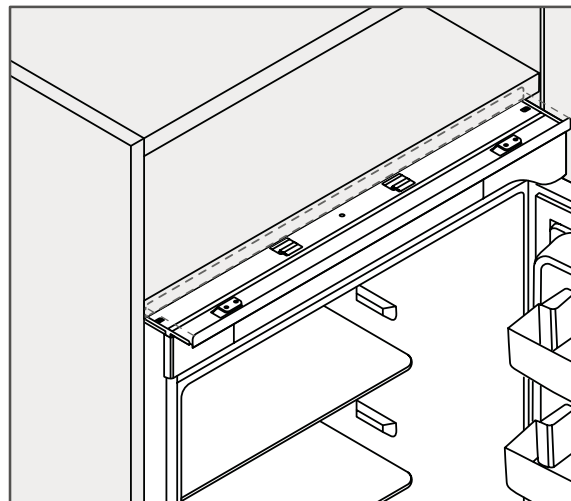


Sezione aletta superiore dettaglio aletta superiore

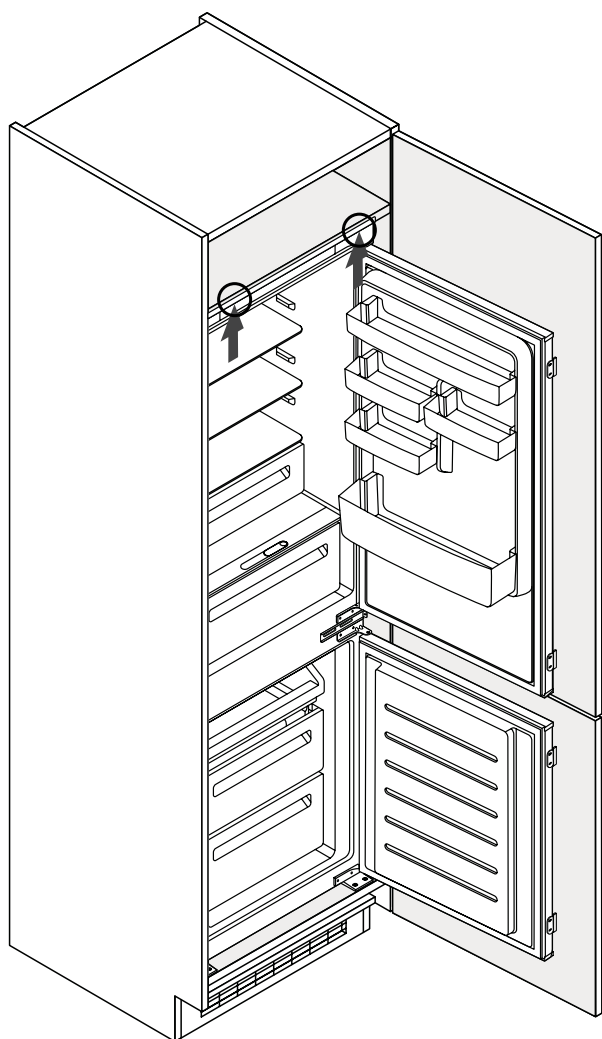


L'aletta superiore del frigorifero deve andare in battuta sul ripiano del mobile.

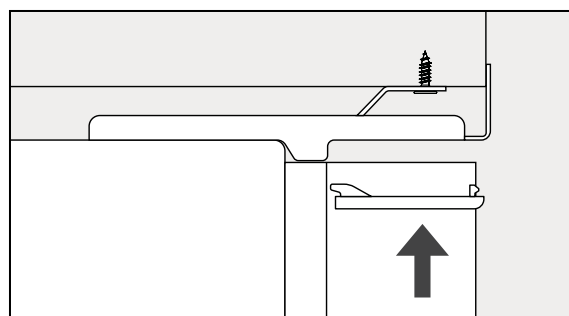
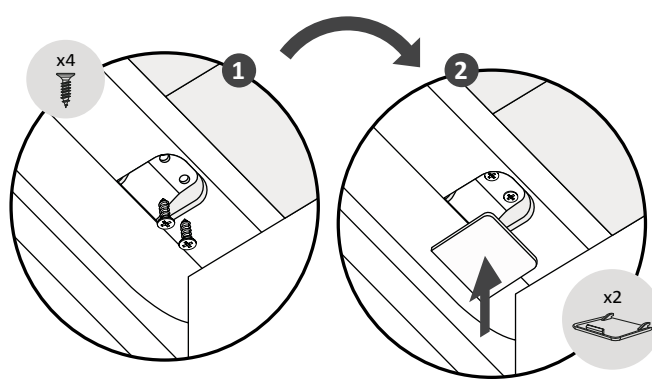
Vista assonometrica dettaglio aletta superiore



9.2 Fissaggio al ripiano fisso superiore del mobile

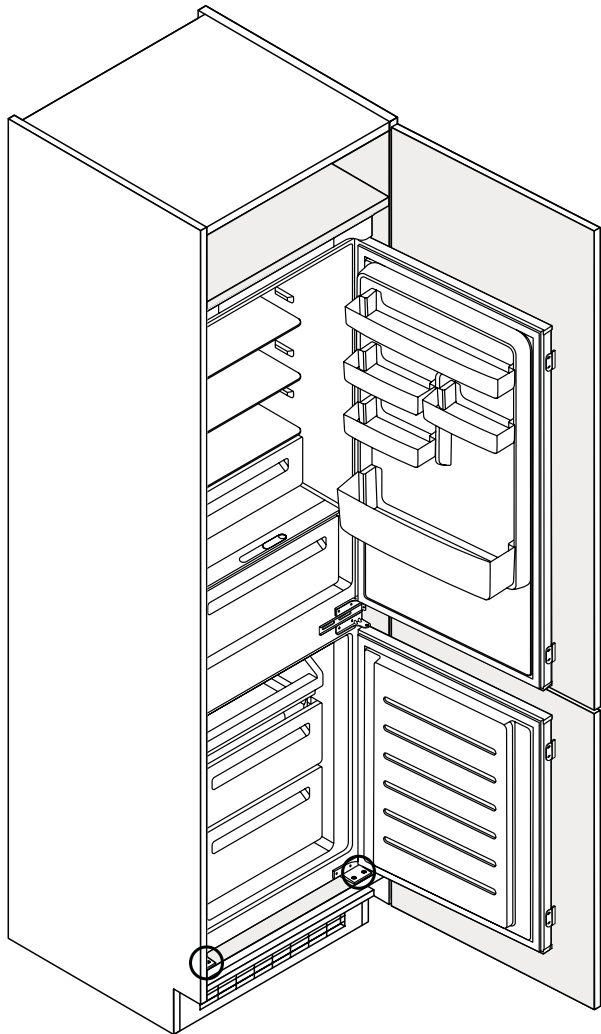


Utilizzando le viti in dotazione, fissare il frontalino superiore al ripiano del mobile e chiudere con le cover.

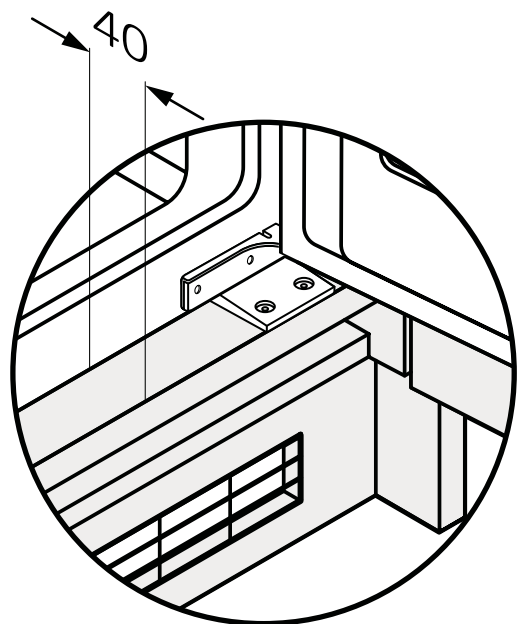
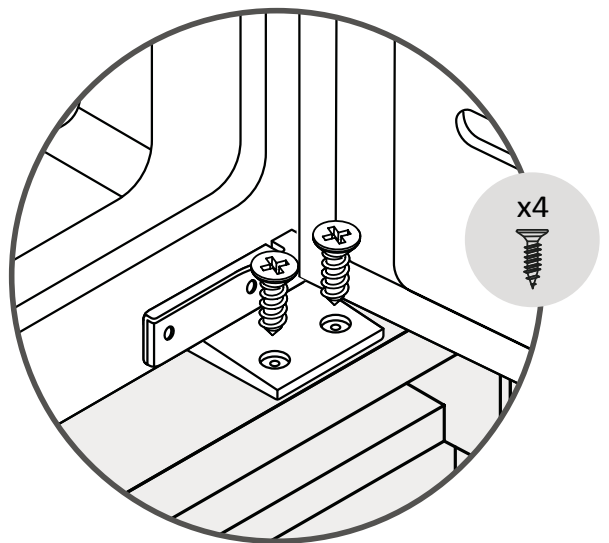


9 Indicazioni relative all'installazione del frigorifero

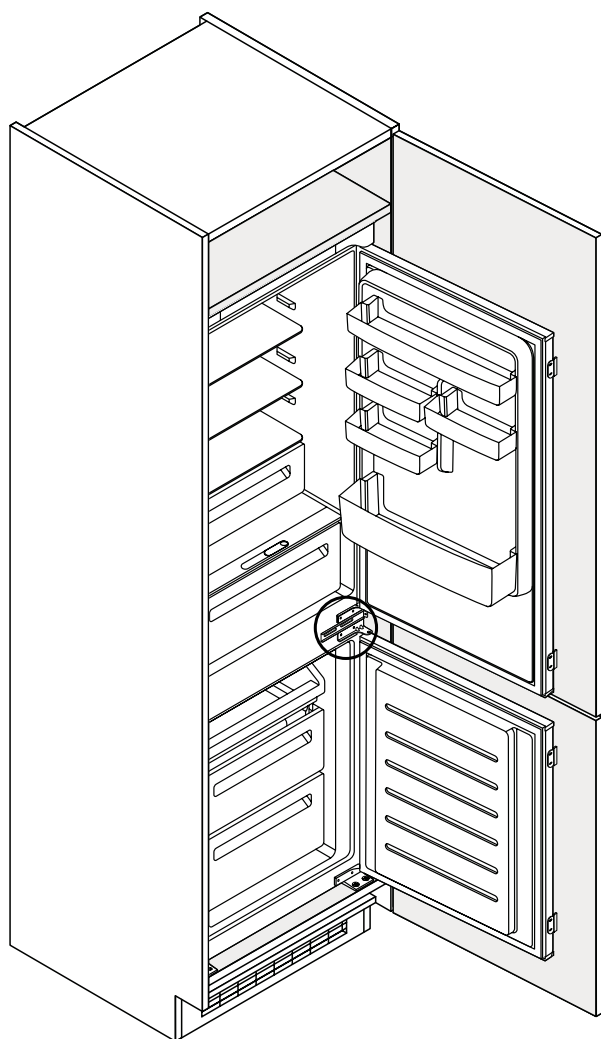
9.3 Fissaggio al ripiano fisso inferiore del mobile



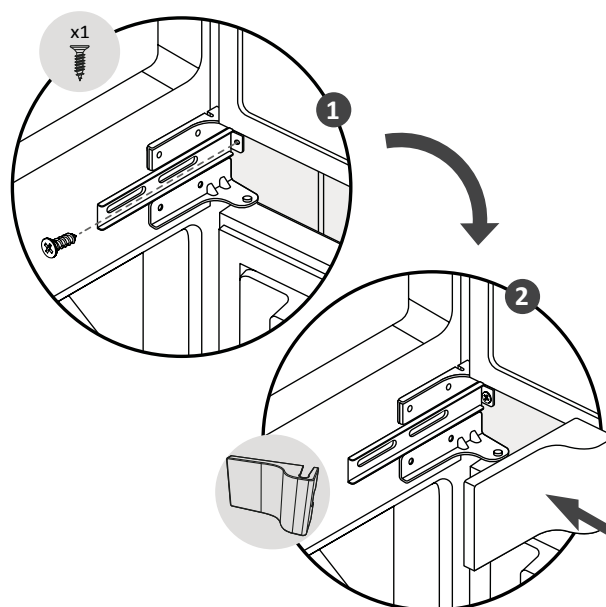
Utilizzando le viti in dotazione, fissare i piedini al ripiano inferiore.



9.4 Fissaggio al fianco del mobile



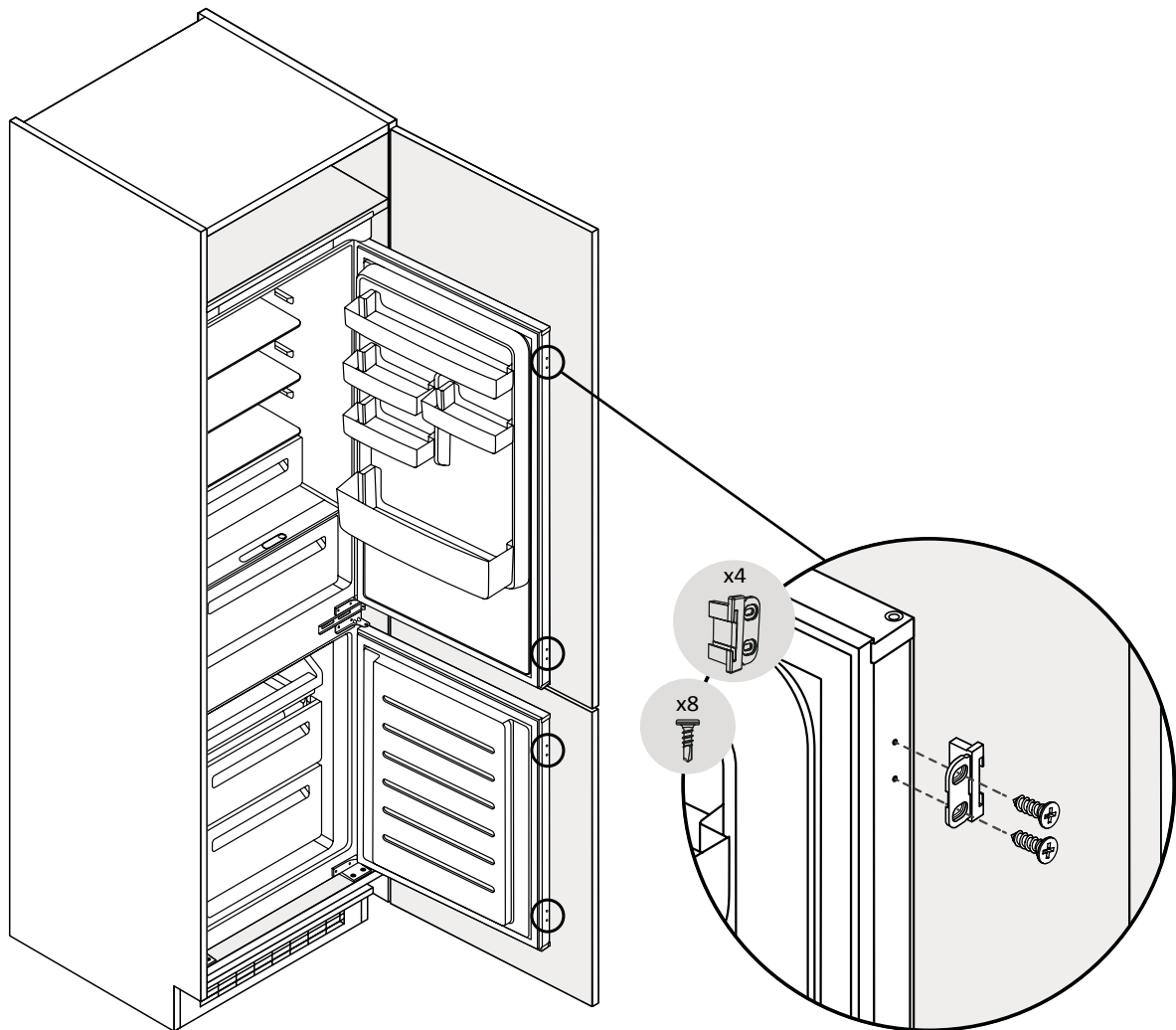
Utilizzando la staffa in dotazione, fissare il prodotto al fianco laterale.



Una volta fissato il prodotto al mobile attraverso la staffa, posizionare il copricerniera.

9 Indicazioni relative all'installazione del frigorifero

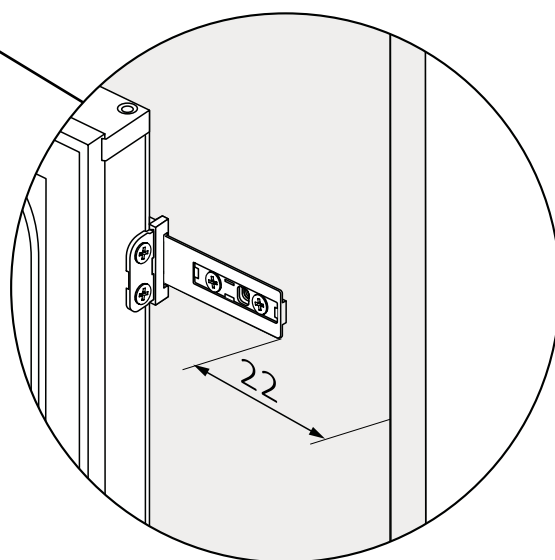
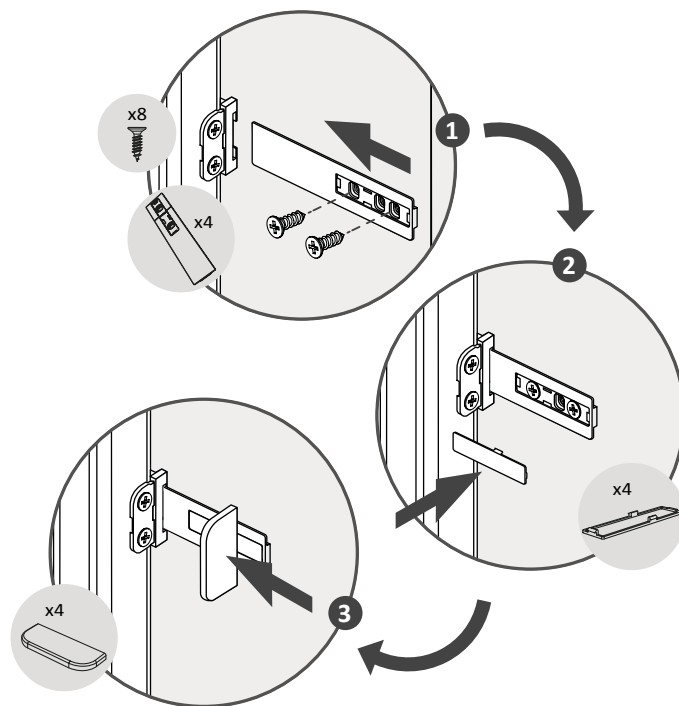
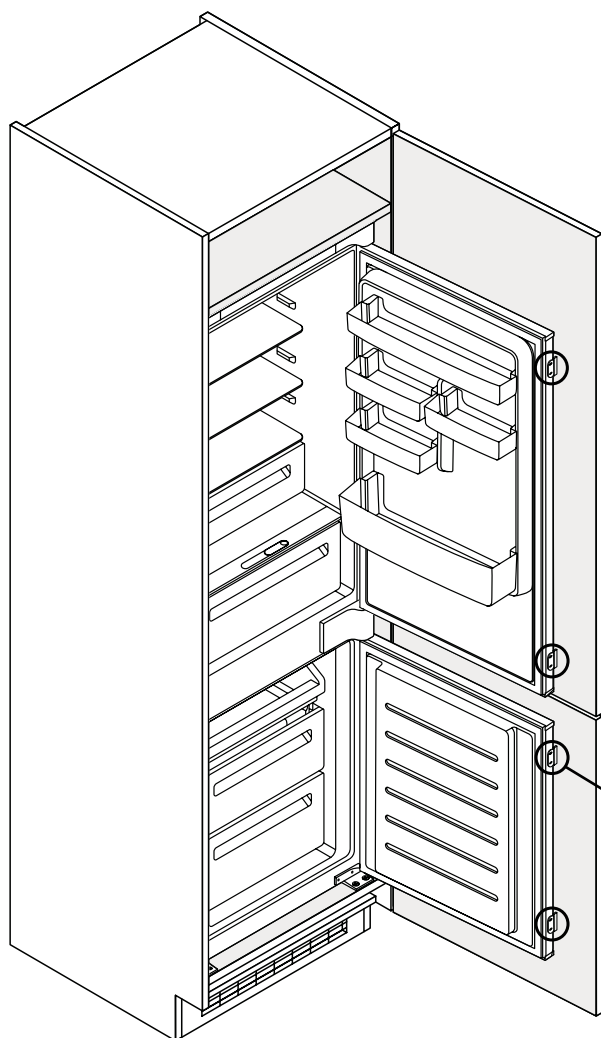
9.5 Applicazione carrelli



Utilizzando le viti in dotazione, applicare i carrelli alle porte del frigorifero.

9.6 Applicazione pattini

Utilizzando le viti in dotazione, applicare i pattini alle ante in legno.



10.1 Avvisi di sicurezza

Per eseguire il collegamento elettrico dell'apparecchio in sicurezza, osservare le seguenti avvertenze:

- Qualsiasi riparazione, installazione e manutenzione non eseguita correttamente può mettere seriamente in pericolo l'utente;
- L'azienda produttrice dichiara di non assumersi alcuna responsabilità per danni diretti o indiretti causati da errati interventi di installazione, manutenzione o riparazione. Non risponde inoltre dei danni causati dalla mancanza o dall'interruzione della condotta di messa a terra (es. scossa elettrica);
- Allacciare il prodotto esclusivamente mediante il cavo fornito in dotazione;
- Il prodotto dev'essere allacciato ad un impianto elettrico realizzato a regola d'arte;
- In caso di danni causati da un allacciamento non corretto, decade la validità della garanzia;
- Per eventuali riparazioni rivolgersi esclusivamente al Servizio Assistenza Clienti e richiedere l'utilizzo di ricambi originali;
- Scollegare il prodotto dalla rete elettrica prima di effettuare qualsiasi intervento o manutenzione sullo stesso.

10.2 Avvertenze

- Per scongiurare il rischio di incendi o scosse elettriche, non danneggiare la spina e/o il cavo di alimentazione;
- Non collegare l'elettrodomestico a prese multiple, prolunghe o alimentatori portatili
- Quando l'elettrodomestico viene collocato nella sede prescelta, accertarsi che il cavo di alimentazione non sia incastrato o danneggiato e che non ci siano prese multiple o alimentatori portatili nella parte posteriore dell'elettrodomestico.

10.3 Istruzioni

Potenza assorbita

Vedi targa dati prodotto.


Interruttore differenziale (salvavita)

Si consiglia l'utilizzo di un interruttore automatico differenziale (salvavita) con corrente di scatto conforme alle norme vigenti.

⚠ ATTENZIONE: Il prodotto non deve essere alimentato da un dispositivo di commutazione esterno, come un timer, o essere collegato a un circuito che viene regolarmente acceso e spento. Il prodotto non è progettato per essere azionato mediante un timer esterno o un sistema di controllo remoto separato.

10.4 Indicazioni

- Accertarsi che i dati elettrici sulla targhetta siano conformi all'alimentazione elettrica;
- L'elettrodomestico funziona con corrente elettrica 220-240 Vca/50 Hz. Oscillazioni anomale della tensione possono causare il mancato avvio dell'elettrodomestico, danni al controllo della temperatura o al compressore oppure rumori anomali durante il funzionamento. In tal caso, è opportuno montare un regolatore automatico;
- Accertarsi che il cavo di rete non sia impigliato sotto l'elettrodomestico durante e dopo il trasporto/spostamento, per evitare che il cavo di rete venga tagliato o danneggiato. Se il cavo di alimentazione dell'elettrodomestico dovesse essere danneggiato, non procedere con l'installazione e rivolgersi all'assistenza;
- Accertarsi che la fonte di alimentazione, la presa e i fusibili siano conformi ai dati indicati nella targhetta;
- Accertarsi che la presa di corrente sia collegata a terra e non adoperare prese multiple o prolunghe.

 **NOTA (Solo per il Regno Unito):** il cavo di alimentazione dell'elettrodomestico è dotato di una spina a 3 conduttori (collegata a terra) adatta a una presa standard a 3 conduttori (collegata a terra). Non tagliare né smontare mai il terzo conduttore (collegamento a terra). Dopo l'installazione dell'elettrodomestico, la spina deve essere accessibile.

10.5 Altri consigli

L'uso di qualunque elettrodomestico impone il rispetto di alcune regole fondamentali:

- Si consiglia di mantenere pulita la spina: eventuali residui di sporco sulla spina possono provocare incendi;
- Non tirare il cavo di alimentazione per scollegare l'elettrodomestico dall'alimentazione;
- Non toccare l'elettrodomestico con le mani o i piedi umidi o bagnati;
- In generale, l'uso di adattatori, prese multiple o prolunghe è sconsigliato;
- In caso di malfunzionamento e/o calo di prestazioni, spegnere l'elettrodomestico e non manometterlo.


11 Consegna all'utente

A conclusione dell'installazione:

- Informare l'utente circa le funzioni essenziali;
- Informare l'utente su tutti gli aspetti rilevanti per la sicurezza dell'uso e della manipolazione;
- Consegnare all'utente gli accessori e le istruzioni per l'uso e il montaggio da conservare con cura.

Al termine dell'installazione, rimuovere la pellicola protettiva, il nastro e tutti gli altri materiali da imballaggio ed estrarre gli accessori in dotazione dall'interno del prodotto.

- Attendere almeno 2/3 ore dopo l'accensione, prima di collocare gli alimenti nell'elettrodomestico, in modo da garantire la temperatura corretta all'interno del frigorifero.

 **AVVERTENZA:** Il prodotto richiede una adeguata ventilazione per un funzionamento normale. Non ostruire per alcun motivo le aperture di ventilazione.

 **NOTA:** L'aspetto effettivo del prodotto dipende dal modello scelto.

12 Smontaggio del prodotto

- Scollegare il prodotto dalla rete elettrica;
- Svitare le viti di fissaggio;
- Sollevare leggermente il prodotto ed estrarlo completamente;
- Questo prodotto non rovina il mobile, il quale potrà essere utilizzato anche con un nuovo elettrodomestico.



CANDY