



## Microwave Oven

User Manual



BMGB20212B

EN - FR - SV - NO - DA - FI - PL - SQ - MK - NL - DE - CS - RU - SL - SR - HR - SK



01M-8897353200-5220-01

## Please read this manual first!

Dear Customer,

Thank you for preferring a Beko product. We hope that you get the best results from your product which has been manufactured with high quality and state-of-the-art technology. Therefore, please read this entire user manual and all other accompanying documents carefully before using the product and keep it as a reference for future use. If you handover the product to someone else, give the user manual as well. Follow all warnings and information in the user manual.

## Meanings of the symbols

Following symbols are used in the various section of this user manual:



Important information and useful hints about usage.



Warnings for dangerous situations concerning the safety of life and property.



Warning for hot surfaces.



Warning for electric shock.



Warning for danger of fire.



This product has been manufactured in environmental friendly modern plants without giving any harm to the nature.

This appliance conforms to the WEEE regulation.

It does not contain PCB.

# CONTENTS

<b>ENGLISH</b>	<b>04-23</b>
<b>FRANÇAIS</b>	<b>24-44</b>
<b>SVENSKA</b>	<b>45-63</b>
<b>NORSK</b>	<b>64-82</b>
<b>DANSK</b>	<b>83-102</b>
<b>SUOMI</b>	<b>103-123</b>
<b>POLSKI</b>	<b>124-146</b>
<b>SHQIPTARE</b>	<b>147-167</b>
<b>МАКЕДОНСКИ</b>	<b>168-193</b>
<b>NEDERLANDS</b>	<b>194-214</b>
<b>DEUTSCH</b>	<b>215-237</b>
<b>ČESKY</b>	<b>238-259</b>
<b>РУССКИЙ</b>	<b>260-286</b>
<b>SLOVENŠČINA</b>	<b>287-305</b>
<b>СРПСКИ</b>	<b>306-326</b>
<b>HRVATSKI</b>	<b>327-346</b>
<b>SLOVENSKÝ</b>	<b>347-368</b>

# 1 Important safety and environmental instructions

## Important Safety Instructions Read Carefully And Keep For Future Reference

### 1.1 Safety warnings

This section contains safety instructions that will help protect from risk of fire, electric shock, exposure to leak microwave energy, personal injury or property damage. Failure to follow these instructions shall void any warranty.

- Beko Microwave Ovens comply with the applicable safety standards; therefore, in case of any damage on the appliance or power cable, it should be repaired or replaced by the dealer, service center or a specialist and authorized service alike to avoid any danger. Faulty or unqualified repair work may be dangerous and cause risk to the user.
- This appliance is intended to be used in household and similar applications such as:
  - Staff kitchen areas in shops, offices and other working environments;
  - Farm houses
  - By clients in hotels, and other residential type environments;
  - Bed and Breakfast type environments.
- It is not intended for industrial or laboratory use.
- Do not attempt to start the oven when its door is open; otherwise you may be exposed to harmful microwave energy. Safety locks should not be disabled or tampered with.
- The microwave oven is intended for heating food and beverages. Drying of food or clothing and heating of warming pads, slippers, sponges, damp cloth and similar may lead to risk of injury, ignition or fire.



# 1 Important safety and environmental instructions

- Do not place any object between the front side and the door of the oven. Do not allow dirt or cleaning agent remnants to build up on the closure surfaces.
- Any service works involving removal of the cover that provides protection against exposure to microwave energy must be performed by authorized persons/service. Any other approach is dangerous.
- Your product is intended for cooking, heating and defrost food at home. It must not be used for commercial purposes.
- Your oven is not designed to dry any living being.
- Do not use your appliance to dry clothes or kitchen towels.
- Do not use this appliance outdoors, bathrooms, humid environments or in places where the it can get wet.
- No responsibility or warranty claim shall be assumed for damages arising from misuse or improper handling of the appliance.
- Never attempt to dismantle the appliance. No warranty claims are accepted for damage caused by improper handling.
- Only use the original parts or parts recommended by the manufacturer.
- Do not leave this appliance unattended while it is in use.
- Always use the appliance on a stable, flat, clean dry, and non-slip surface.
- The appliance should not be operated with an external clock timer or separate remote control system.
- Before using the appliance for the first time, clean all parts. Please see the details given in the “Cleaning and Maintenance” section.
- Operate the appliance for its intended purpose only as described in this manual.
- Appliance becomes very hot while it is in use. Pay attention not to touch the hot parts inside the oven.

# 1 Important safety and environmental instructions

- Do not operate the oven empty.
- Cooking utensil may get hot due to the heat transferred from the heated food to the utensil. You may need oven gloves to hold the utensil.
- Utensils shall be checked to ensure that they are suitable for use in microwave ovens.
- Do not place the oven on stoves or other heat generating appliances. Otherwise, it may be damaged and the warranty becomes void.
- Steam may come out while opening the covers or the foil after cooking the food.
- The appliance and its accessible surfaces may be very hot when the appliance is in use.
- Door and outer glass may be very hot when the appliance is in use.
- Make sure that your mains power supply complies with the information supplied on the rating plate of the appliance.
- The only way to disconnect the appliance from the power supply is to remove the power plug from the power outlet.
- Use the appliance with a grounded outlet only.
- Never use the appliance if the power cable or the appliance itself is damaged.
- Do not use this appliance with an extension cord.
- Never touch the appliance or its plug with damp or wet hands.
- Place the appliance in a way so that the plug is always accessible.
- Prevent damage to the power cable by not squeezing, bending, or rubbing it on sharp edges. Keep the power cable away from hot surfaces and naked flame.
- Make sure that there is no danger that the power cable could be accidentally pulled or that someone could trip over it when the appliance is in use.

# 1 Important safety and environmental instructions

- Unplug the appliance before each cleaning and when the appliance is not in use.
- Do not pull the power cable of the appliance to disconnect it from its power supply and never wrap its power cable around the appliance.
- Do not immerse the appliance, power cable, or power plug in water or any other liquids. Do not hold it under running water.
- When heating food in plastic or paper containers, keep an eye on the oven due to the possibility of ignition.
- Remove the wire strings and/or metal handles of paper or plastic bags before placing bags to the oven.
- If smoke is observed, switch off or unplug the appliance if safe to do so and keep the door closed in order to stifle any flames.
- Do not use microwave oven for storage. Do not leave paper items, cooking material or food inside the oven when it is not being used.
- The contents of feeding bottles and baby food jars should be stirred or shaken and the temperature checked before consumption, in order to avoid burns.
- This appliance is a Group 2 Class B ISM equipment. Group 2 contains all ISM (Industrial, Scientific and Medical) equipment in which radio-frequency energy is intentionally generated and/or used in the form of electromagnetic radiation for the treatment of material, and spark erosion equipment.
- Class B equipment is suitable for use in domestic establishments and establishments directly connected to a low voltage power supply network.
- Do not use cooking oil in the oven. Hot oil may damage the components and materials of the oven, and it may even cause skin burns.
- Pierce food with thick crust such as potatoes, courgettes, apples and chestnuts.

# 1 Important safety and environmental instructions

- Appliance must be placed so that the rear side is facing the wall.
- Before moving the appliance, please secure the turntable to prevent damage.
- Eggs in their shell and whole hard-boiled eggs must not be heated in microwave ovens since they may explode, even after microwave heating has ended.

**WARNING:** If the door or door seals are damaged, the oven must not be operated until it has been repaired by a competent person.

**WARNING:** It is hazardous for anyone other than a competent person to carry out any service or repair operation which involves the removal of a cover which gives protection against exposure to microwave energy.

**WARNING:** Liquids and other foods must not be heated in sealed containers since they are liable to explode.

- The oven should be cleaned regularly and any food deposits removed.
- There should be min 20 cm free space above the top surface of the oven.
- Do not over-cook foods; otherwise, you may cause a fire.
- Do not use chemicals and steam assisted cleaners to clean the appliance.
- Extreme caution is advised when being used near children and persons who are restricted in their physical, sensory or mental abilities.
- This appliance can be used by the children who are at the age of 8 or over and by the people who have limited physical, sensory or mental capacity or who do not have knowledge and experience, as long as they are supervised with regard to safe use of the product or they are instructed accordingly or understand the risks of using the product. Children should not play with the appliance.

# 1 Important safety and environmental instructions

Cleaning and user maintenance procedures should not be performed by children unless they are controlled by their elders.

- **Danger of choking!** Keep all the packaging materials away from children.
- Due to excessive heat that arises in grill and combination modes, children should only be allowed to use these modes under supervision of an adult.
- Keep the product and its power cable so that they are inaccessible by children under 8 years old.
- Do not cook food directly on the glass tray. Put the food in / on appropriate kitchen utensils before placing them in the oven.
- Metallic containers for food and beverages are not allowed during microwave cooking. Otherwise, sparking may occur.
- Microwave oven must not be placed in a cabinet that is not in compliance with the installation instructions.

- Microwave oven is intended for built-in use only.
- If built-in appliances being used equal or higher than 900 mm above the floor, care should be taken not to displace the turntable when removing containers from the appliance.
- If the built-in product is in a cabinet with a door, the product must be operated with the cabinet door open.

## 1.2 Compliance with the WEEE Directive and Disposing of the Waste Product:

This product complies with EU WEEE Directive (2012/19/EU). This product bears a classification symbol for waste electrical and electronic equipment (WEEE).



This symbol indicates that this product shall not be disposed with other household wastes at the end of its service life. Used device must be returned to official collection point for recycling of electrical and electronic devices. To find these collection systems please contact to your local authorities or retailer where the product was purchased. Each household performs important role in recovering and recycling of old appliance. Appropriate disposal of used appliance helps prevent potential negative consequences for the environment and human health.

# 1 Important safety and environmental instructions

## 1.3 Compliance with RoHS Directive

The product you have purchased complies with EU RoHS Directive (2011/65/EU). It does not contain harmful and prohibited materials specified in the Directive.

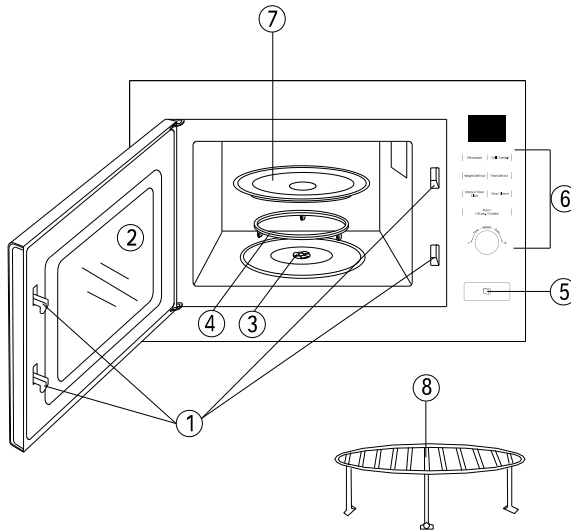
## 1.4 Package information



Packaging materials of the product are manufactured from recyclable materials in accordance with our National Environment Regulations. Do not dispose of the packaging materials together with the domestic or other wastes. Take them to the packaging material collection points designated by the local authorities.

## 2 Your microwave oven

### 2.1 Overview



1. Door Safety Interlock System
2. Oven Window
3. Turntable shaft
4. Turntable support
5. Door opening button
6. Control Panel
  - Microwave
  - Grill / Combi.
  - Weight Defrost
  - Time Defrost
  - Kitchen Timer Clock
  - Stop / Clear
  - Start/+30Sec./Confirm
  - Time / Weight / Auto ( Push-out button)
7. Glass Tray
8. Grill Rack ( Can not be used in microwave function and must be placed on the glass tray )

### 2.2. Technical data

<b>Power consumption</b>	230 V~50 Hz, 1270 W (Microwave) 1000 W (Grill)
<b>Output</b>	800 W
<b>Operating frequency</b>	2450 MHz
<b>External dimensions (Hx Wx D) mm</b>	387x594x333
<b>Oven Capacity</b>	20 Litres
<b>Net Weight</b>	16.5 kg
<b>Color</b>	Black

Technical and design modification rights are reserved.

Markings on the appliance or the values stated in other documents supplied with the product are values obtained under laboratory conditions as per relevant standards. These values may vary according to the usage of the appliance and ambient conditions. Power values are tested at 230 V.

## 3 Installation and connection

### 3.1 Installation Instruction

- Please observe the special installation instructions.
- The appliance can be installed in a 60cm wide wallmounted cupboard.
- The appliance is fitted with a plug and must only be connected to a properly installed earthed socket.
- The mains voltage must correspond to the voltage specified on the rating plate.
- The socket must be installed and connecting cable must only be replaced by a qualified electrician. If the plug is no longer accessible following installation, an all-pole disconnecting device must be present on the installation side with a contact gap of at least 3mm.



**WARNING:** Adapters, multi-way strips and extension leads must not be used. Overloading can result in a risk of fire.

### 3.2 Electrical connection

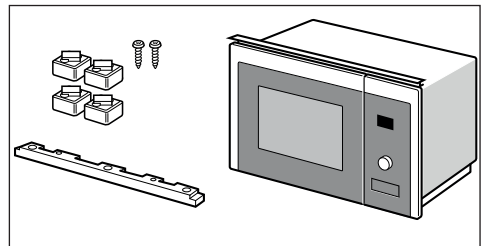
- The appliance is fitted with a plug and must only be connected to a properly installed earthed socket.
- Only a qualified electrician who takes the appropriate regulations into account may install the socket or replace the connecting cable.
- If the plug is no longer accessible following installation, an all-pole isolating switch must be present on the installation side with a contact gap of at least 3 mm.
- Contact protection must be ensured by the installation.

### 3.3 Appliance in a wall-hanging unit

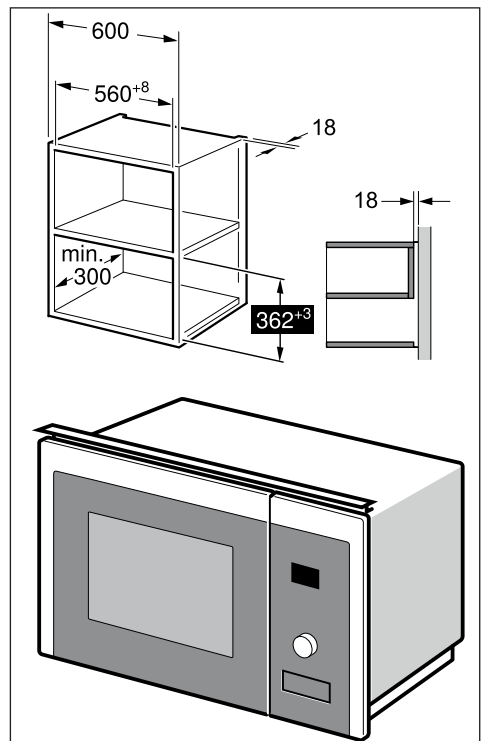
The installation cabinet must not have a back panel behind the appliance.

Minimum installation height: 850 mm. Ventilation slots and intakes must not be covered.

Parts;



#### Appliance in a wall-hanging unit





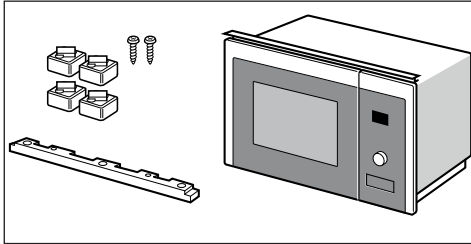
## 3 Installation and connection

### 3.4 Appliance in a tall unit

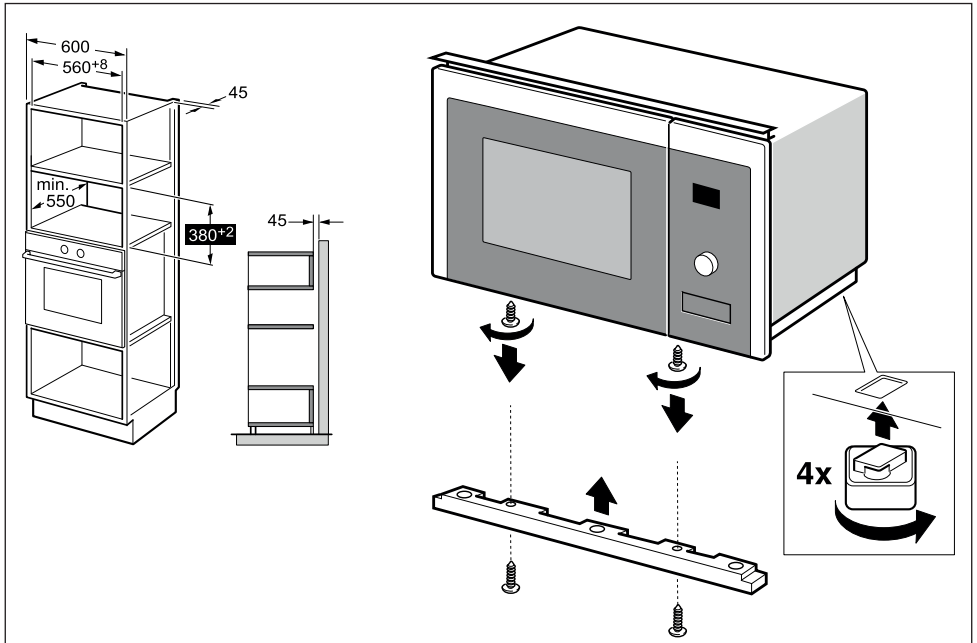
The installation cabinet must not have a back panel behind the appliance.

Minimum installation height: 850 mm. Ventilation slots and intakes must not be covered.

#### Parts;



Appliance in a tall unit

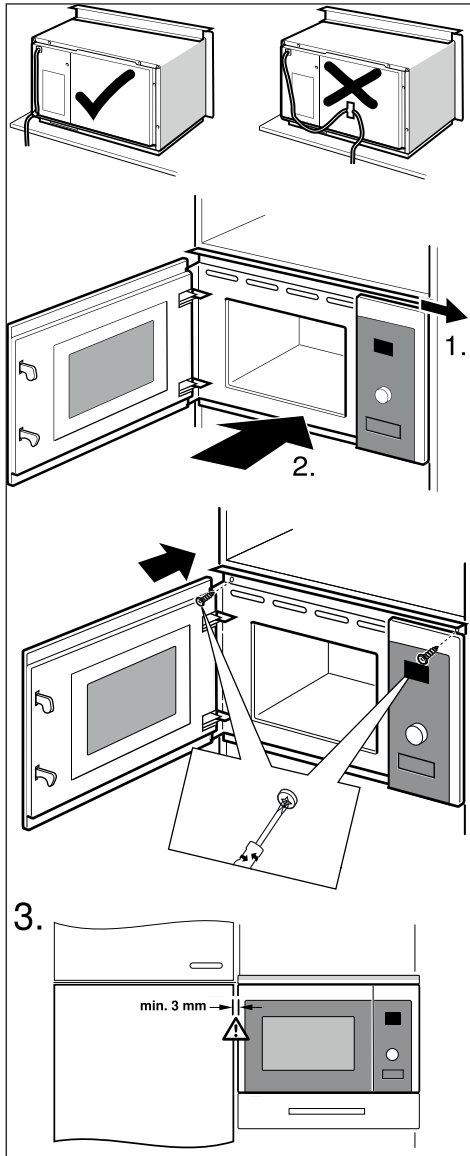


## 3 Installation and connection

### 3.5 Installing the oven

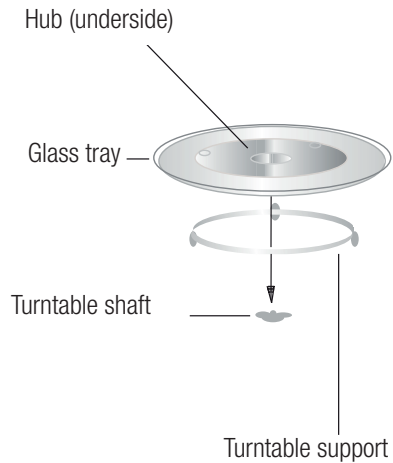


**WARNING:** Do not trap or kink the mains lead.



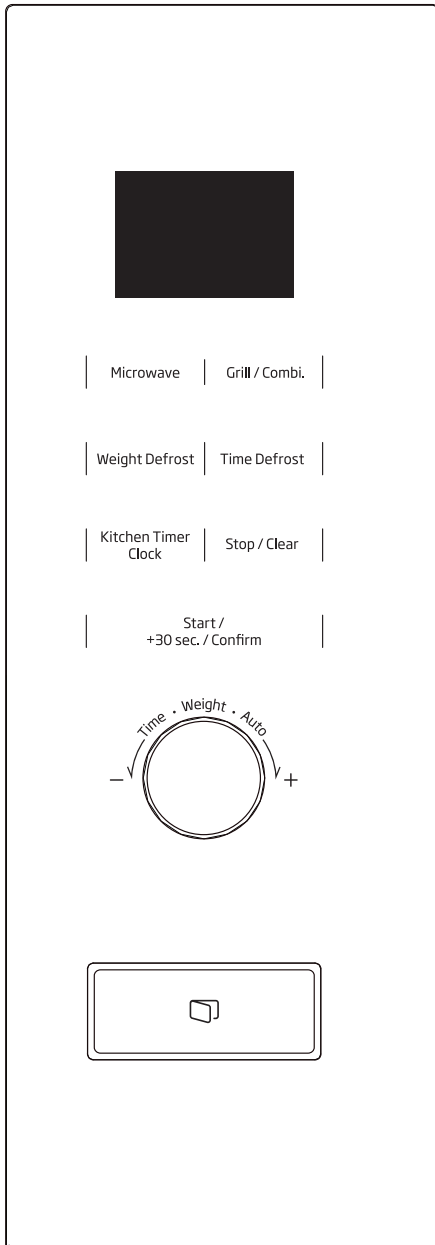
### 3.6 Installing the turntable

- Never place the glass tray upside down. The glass tray should never be restricted.
- Both glass tray and turntable support must always be used during cooking.
- All food and containers of food must always place on the glass tray for cooking.
- If glass tray or turntable support crack or break, contact your nearest authorized service center.



## 4 Operation

### 4.1 Control panel



### 4.2 Clock setting

When the microwave oven is electrified, the oven will display "0:00", buzzer will ring once. The oven will enter to waiting state.

1. Press "Kitchen Timer/Clock" twice and the figures for hours will start flashing.
2. Turn "Time / Weight / Auto" to adjust the hour; the input value should be between 0 and 23.
3. Press "Kitchen Timer/Clock" and the figures for minutes will start flashing.
4. Turn "Time / Weight / Auto" to adjust the minutes; the input value should be between 0 and 59.
5. Press "Kitchen Timer/Clock" to finish time setting. ":" symbol will flash, and the time will light.



If the clock is not set, it would not function when powered.

### 4.3 Microwave cooking

1. Press the "Microwave" key once, and "P100" will display.
2. Press "Microwave" again or turn "Time / Weight / Auto" to select the desired power. Each time you press the key, "P100", "P80", "P50", "P30" or "P10" will be displayed respectively.
3. Press "Start/+30 Sec./Confirm" to confirm the desired power.
4. Turn "Time / Weight / Auto" to set the cooking time to a value between 0:05 and 95:00.
5. Press "Start/+30 Sec./Confirm" again to start cooking.
6. The time on the screen starts to count down.
7. The "beep" sound can be heard after process finished.

## 4 Operation

The steps for adjusting the time in coding button are as below:

Setting the duration	Increment amount
0-1 minute	5 seconds
1-5 minutes	10 seconds
5-10 minutes	30 seconds
10-30 minutes	1 minute
30-95 minutes	5 minutes

### Microwave Power Chart

Microwave Power	High	Med. High	Med.	Med. Low	Low
Display	P100	P80	P50	P30	P10

### 4.4 Grill or combi. cooking

1. Press "Grill/Combi." once, the screen will display "G".
2. Press repeatedly or turn "Time / Weight / Auto" to choose the power you want, and "G", "C-1" or "C-2" will display.
3. Press "Start/+30Sec./Confirm" to confirm the power.
4. Turn "Time / Weight / Auto" to set cooking time. (The maximum cooking time is 95 minutes)
5. Press "Start/+30Sec./Confirm" again to start cooking.
6. The time on the screen starts to count down.
7. The "beep" sound can be heard after process finished.

### Combination Power instructions

Program	Display	Microwave power	Grill power
Grill	G	0%	100%
Combi.1	C-1	55%	45%
Combi.2	C-2	36%	64%



If half the grill time passes, the oven sounds twice, and this is normal. In order to have a better effect of grilling food, you should turn the food over, close the door, and then press "Start/+30Sec./Confirm" to continue cooking. If no operation, the oven will continue working.

### 4.5 Defrost by weight

1. Press "Weight Defrost" once, the screen will display "dEF1".
2. Turn "Time / Weight / Auto" to select the food weight. The range of weight is 100-2000g.
3. Press "Start/+30Sec./Confirm" key to start defrosting.
4. The time on the screen starts to count down.
5. The "beep" sound can be heard after process finished.



If half the defrost time passes, the oven sounds twice, and this is normal. In order to have a better effect of defrosting, you should turn the food over, close the door, and then press "Start/+30Sec./Confirm" to continue cooking. If no operation, the oven will continue working.

### 4.6 Defrost by time

1. Press "Time Defrost" once, the screen will display "dEF2".
2. Turn "Time / Weight / Auto" to select the cooking time. The maximum time is 95 minutes.

## 4 Operation

3. Press “Start/+30Sec./Confirm” key to start defrosting.
4. The time on the screen starts to count down.
5. The “beep” sound can be heard after process finished.



If half the defrost time passes, the oven sounds twice, and this is normal. In order to have a better effect of defrosting, you should turn the food over, close the door, and then press “Start/+30Sec./Confirm” to continue cooking. If no operation, the oven will continue working.

### 4.7 Multi-stage cooking

2 stages can be maximumly set. If one stages is defrosting, it should be put in the first stage automatically. The buzzer will ring once after each stage and the next stage will begin.



Auto menu and speedy cooking cannot be set as one of the multi-stage.

**Example:** If you want to defrost the food for 5 minutes, then to cook with 80% microwave power for 7 minutes.

#### The steps are as following:

1. Press “Time Defrost” once, the screen will display “dDEF2”.
2. Turn “Time / Weight / Auto” to adjust the defrost time of 5 minutes;
3. Press “Microwave” once, the screen will display “P100”.
4. Press “Microwave” repeatedly to choose microwave power till “P80” displays;
5. Press “Start/+30Sec./Confirm” to confirm.
6. Turn “Time / Weight / Auto” to adjust the cooking time of 7 minutes;
7. Press “Start/+30Sec./Confirm” to start cooking.

8. The “beep” sound can be heard after process finished.

### 4.8 Kitchen timer

1. Press “Kitchen Timer/Clock” once, the screen will display “ 00:00 ”.
2. Turn “Time / Weight / Auto” to enter the correct timer. (The maximum cooking time is 95 minutes)
3. Press “Start/+30Sec./Confirm” to confirm.
4. The time on the screen starts to count down.
5. The “beep” sound can be heard after process finished.

### 4.9 Auto menu

1. In waiting state, turn “Time / Weight / Auto” right to choose the menu. The screen will display “A 1”.
2. Turn “Time / Weight / Auto” to choose the menu you want, “A 1” to “A 8” will display.
3. Press “Start/+30Sec./Confirm” to confirm the menu.
4. Turn “Time / Weight / Auto” to choose the the weight of food.
5. Press “Start/+30Sec./Confirm” again to start cooking.
6. The time on the screen starts to count down.
7. The “beep” sound can be heard after process finished.

# 4 Operation

## The menu chart:

Menu	Weight	Power
A 1 - Pizza	200 g	100%(Mic.)
	400 g	
A 2 - Meat	250 g	100%(Mic.)
	350 g	
	450 g	
A 3 - Vegetable	200 g	100%(Mic.)
	300 g	
	400 g	
A 4 - Pasta	50g (with 450g cold water)	80%(Mic.)
	100g (with 800g cold water)	
A 5 - Potato	200 g	100%(Mic.)
	400 g	
	600 g	
A 6 - Fish	250 g	80%(Mic.)
	350 g	
	450 g	
A 7 - Beverage	1cup (about 120ml)	100%(Mic.)
	2cups (about 240ml)	
	3cups (about 360ml)	
A 8 - Popcorn	50 g	100%(Mic.)
	100 g	

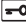
### 4.10 Speedy cooking

1. In waiting state, press “Start/+30Sec./Confirm” key to cook with 100% power level for 30 seconds. Each press on the same key can increase 30 seconds. The maximum cooking time is 95 minutes.
2. During the microwave, grill, combination cooking and the defrost by time process, press “Start/+30Sec./Confirm” to increase the cooking time.

3. Under the states of auto menu and defrost by weight, cooking time cannot be increased by pressing “Start/+30Sec./Confirm”.

4. In waiting state, turn “Time / Weight / Auto” left to choose the cooking time. After adjusting the cooking time, press “Start/+30Sec./Confirm” to start microwave cooking with 100 % power level.

### 4.11 Lock Function for children

**Lock:** In waiting state, press “STOP/Clear” for 3 seconds to enter the children-lock state and the current time will display if the time has been set, otherwise, the screen will display “”.

**Lock quitting:** In locked state, press “STOP/Clear” for 3 seconds, the lock is released.

### 4.12 Inquiring Function

1. In cooking states of microwave or grill and combination. Press “Microwave” or “Grill/Combi.”, the current power will be displayed for 3 seconds.
2. If the clock has been set, during cooking state, press “Kitchen Timer/Clock” to check the current time. It will be displayed for 3 seconds.

### 4.13 Specification

1. If the door is opened in the process of cooking, close the door and then press “Start/+30Sec./Confirm” to continue cooking.
2. Once the cooking programme has been set, “Start/+30Sec./Confirm” is not pressed in 1 minutes. The current time will be displayed. The setting will be cancelled.
3. The buzzer sounds once by efficient press, inefficient press will be no response.

## 5 Cooking tips

The following factors may affect the cooking result:

### **Food arrangement**

Place thicker areas towards outside of dish, the thinner part towards the centre and spread it evenly. Do not overlap if possible.

### **Cooking time length**

Start cooking with a short time setting, evaluate it after it times out and extend it according to the actual need. Over cooking may result in smoke and burns.

### **Cooking food evenly**

Food such as chicken, hamburger or steak should be turned once during cooking.

Depending on the type of food, if applicable, stir it from outside to centre of dish once or twice during cooking

### **Allow standing time**

After cooking times out, leave the food in the oven for an adequate length of time, this allows it to complete its cooking cycle and cooling it down in a gradual manner

### **Whether the food is done**

Color and hardness of food help to determine if it is done, these include:

- Steam coming out from all parts of food, not just the edge
- Joints of poultry can be moved easily
- Pork or poultry shows no signs of blood
- Fish is opaque and can be sliced easily with a fork

### **Browning dish**

When using a browning dish or self-heating container, always place a heat-resistant insulator such as a porcelain plate under it to prevent damage to the turntable and rotating ring.

### **Microwave safe plastic wrap**

When cooking food with high fat content, do not allow the plastic wrap come into contact with food as it may melt

### **Microwave safe plastic cookware**

Some microwave safe plastic cookware might not be suitable for cooking foods with high fat and sugar content. Also, the preheating time specified in the dish instruction manual must not be exceeded.

## 6 Utensils guideline

### 6.1 Materials you can use in microwave oven or to be avoided in microwave oven



**Personal Injury Hazard** It is hazardous for anyone other than a competent person to carry out any service or repair operation that involves the removal of a cover which gives protection against exposure to microwave energy.

See the instructions on “Materials you can use in microwave oven or to be avoided in microwave oven.” There may be certain non-metallic utensils that are not safe to use for microwaving. If in doubt, you can test the utensil in question following the procedure below.

#### Utensil Test:

1. Fill a microwave-safe container with 1 cup of cold water (250ml) along with the utensil in question.
2. Cook on maximum power for 1 minute.
3. Carefully feel the utensil. If the empty utensil is warm, do not use it for microwave cooking.
4. Do not exceed 1 minute cooking time.

Materials you can use in microwave oven	
Utensils	Remarks
Aluminum foil	Shielding only. Small smooth pieces can be used to cover thin parts of meat or poultry to prevent overcooking. Arcing can occur if foil is too close to oven walls. The foil should be at least 1 inch (2.5cm) away from oven walls.
Browning dish	Follow manufacturer's instructions. The bottom of browning dish must be at least 3/16 inch (5mm) above the turntable. Incorrect usage may cause the turntable to break.
Dinnerware	Microwave-safe only. Follow manufacturer's instructions. Do not use cracked or chipped dishes.
Glass jars	Always remove lid. Use only to heat food until just warm. Most glass jars are not heat resistant and may break.
Glassware	Heat-resistant oven glassware only. Make sure there is no metallic trim. Do not use cracked or chipped dishes.
Oven cooking bags	Follow manufacturer's instructions. Do not close with metal tie. Make slits to allow steam to escape.
Paper plates and cups	Use for short-term cooking/warming only. Do not leave oven unattended while cooking.
Paper towels	Use to cover food for reheating and absorbing fat. Use with supervision for a short-term cooking only.
Parchment paper	Use as a cover to prevent splattering or a wrap for steaming.
Plastic	Microwave-safe only. Follow the manufacturer's instructions. Should be labeled "Microwave Safe". Some plastic containers soften, as the food inside gets hot. "Boiling bags" and tightly closed plastic bags should be slit, pierced or vented as directed by package.



## 6 Utensils guideline

Plastic wrap	Microwave-safe only. Use to cover food during cooking to retain moisture. Do not allow plastic wrap to touch food.
Thermometers	Microwave-safe only (meat and candy thermometers).
Wax paper	Use as a cover to prevent splattering and retain moisture.
<b>Materials to be avoided in microwave oven</b>	
Aluminum tray	May cause arcing. Transfer food into microwave-safe dish.
Food carton with metal handle	May cause arcing. Transfer food into microwave-safe dish.
Metal or metaltrimmed utensils	Metal shields the food from microwave energy. Metal trim may cause arcing.
Metal twist ties	May cause arcing and could cause a fire in the oven.
Paper bags	May cause a fire in the oven.
Plastic foam	Plastic foam may melt or contaminate the liquid inside when exposed to high temperature.
Wood	Wood will dry out when used in the microwave oven and may split or crack.

# 7 Cleaning and maintenance

## 7.1 Cleaning



**WARNING:** Never use gasoline, solvent, abrasive cleaning agents, metal objects or hard brushes to clean the appliance.



**WARNING:** Never immerse the appliance or its power cable in water or in any other liquid.

1. Switch off and unplug the appliance.
2. Wait for the appliance to cool completely.
3. Keep the inside of the oven clean. Wipe with a damp cloth when splashed food or spilled liquids stick on the walls of the appliance. A mild detergent may be used if the appliance gets very dirty. Avoid using sprays and other harsh cleaning agents as they may cause stains, marks, and opaqueness on the door surface.
4. Outer surfaces of the appliance must be cleaned with a damp cloth. Do not allow water ingress from ventilation openings to prevent damage to the operating parts in the appliance.
5. Wipe both sides of the door and the glass, door gaskets and parts near the gaskets frequently with a damp cloth in order to remove the overflowing and splashing stains. Do not use abrasive cleaning agents.
6. Do not allow control panel to get wet. Clean with a soft damp cloth. Leave the door of the appliance open to prevent inadvertent operation while cleaning the control panel.
7. If mist accumulates inside or around the appliance door, wipe with a soft cloth. This may occur when the microwave oven is operated under high humidity conditions. This is normal.
8. In some cases, you may need to remove the glass tray for cleaning. Wash the tray in warm soapy water or in a dishwasher.
9. The roller ring and appliance floor should be cleaned regularly to avoid excessive noise.
10. It would be sufficient to wipe the lower surface of the appliance with a mild detergent. Roller ring may be washed in warm soapy water or in a dishwasher. When you remove the roller ring from the appliance internal floor for cleaning, ensure that you install it in the correct position while replacing it.
11. In order to remove the bad odours in your appliance, put a glass of water and juice and rind of a lemon in a deep bowl suitable for use in microwave and operate the appliance for 5 minutes in the microwave mode. Wipe thoroughly and dry with a soft cloth.
12. Please contact the authorized service when the appliance lamp needs to be replaced.
13. The appliance should be cleaned regularly and any food deposits should be removed. If the appliance is not kept clean, this may cause surface defects that would affect the life-cycle of the appliance negatively and that would possibly cause risks.
14. Please do not dispose this appliance with household waste; old ovens shall be disposed to special waste centres provided by the municipalities.
15. When the appliance is used in grill function, a small amount of smoke and odour may occur which will disappear after a certain time of usage.

## 7.2 Storage

- If you do not intend to use the appliance for a long time, please store it carefully.
- Please make sure that the appliance is unplugged, cooled and totally dry.
- Store the appliance in a cool and dry place.
- Keep the appliance out of the reach of children.

## 7 Cleaning and maintenance

### 7.3 Handling and transportation

- During handling and transportation, carry the appliance in its original packaging.
- The packaging of the appliance protects it against physical damages.
- Do not place heavy loads on the appliance or on the packaging. The appliance may get damaged.

## 8 Trouble shooting

Normal	
Microwave oven interferes with TV reception	Radio and TV reception may be interfered when microwave oven is operating. It is similar to the interference caused by small electrical appliances, like mixer, vacuum cleaner, and electric fan. It is normal.
Oven light is dimmed	In low power microwave cooking, oven light may be dimmed. It is normal.
Steam accumulating on door, hot air coming out of vents	During cooking, steam may arise from the food. Most of this steam will get out from vents. But some may accumulate on a cool place like oven door. It is normal.
Oven started accidentally with no food in it.	It is not allowed to run the appliance without any food inside. It is very dangerous.

Problem	Possible Reason	Solution
Oven can not be started.	1) Power cable is not plugged in properly.	Unplug. Then plug again after 10 seconds.
	2) Fuse is blown or circuit breaker is activated.	Replace fuse or reset circuit breaker (repaired by professional personnel of our company).
	3) Trouble with outlet.	Test the outlet with other electrical appliances.
Oven does not heat.	4) Door is not closed properly.	Close the door properly.

## **Veillez d'abord lire ce manuel !**


Cher client,


Merci d'avoir préféré un produit Beko. Nous espérons que vous obtenez les meilleurs résultats de votre appareil qui est fabriqué avec une haute qualité et une technologie de pointe. Par conséquent, veuillez lire attentivement ce manuel d'utilisation et tous les autres documents d'accompagnement avant d'utiliser l'appareil et conservez-le comme référence pour une utilisation future. Si vous donnez l'appareil à une autre personne, donnez-lui également le manuel d'utilisation. Prêtez attention à tous les avertissements et informations figurant dans ce manuel.


### **Signification des symboles**


Les symboles suivants sont utilisés dans plusieurs sections de ce manuel :

	Informations importantes et conseils utiles sur l'utilisation.
--	--

	Avertissements pour situations dangereuses concernant la sécurité de la vie et des biens.
--	---

	Avertissement contre les surfaces chaudes.
--	--

	Avertissement en cas de choc électrique.
--	--

	Avertissement lié au risque d'incendie.
--	---



Cet appareil a été fabriqué dans des usines modernes respectueuses de l'environnement.

# 1 Consignes de sécurité et d'environnement importantes

## Consignes de sécurité importantes à lire attentivement et à conserver pour référence ultérieure

### 1.1 Avertissements de sécurité

Cette section comprend les instructions de sécurité qui vous mettent à l'abri de tout risque d'incendie, de choc électrique, d'exposition à une fuite d'énergie micro-ondes, de toute blessure physique ou de tout dommage matériel. Le non-respect de ces instructions annule toute garantie.

- Les fours à micro-ondes Beko sont conformes aux normes de sécurité applicables ; par conséquent, en cas de dommage sur l'appareil ou le câble d'alimentation, celui-ci doit être réparé ou remplacé par le revendeur, le centre de service ou un service spécialisé et autorisé afin d'éviter tout danger. Lorsque les réparations sont mauvaises ou effectuées par un personnel non qualifié, elles peuvent être dangereuses et entraîner des risques pour l'utilisateur.
- Cet appareil est conçu pour être utilisé dans les maisons et les endroits similaires tels que :
  - les cuisines du personnel des boutiques, des bureaux et autres environnements professionnels ;
  - les maisons de campagne ;
  - les cuisines pour clients dans les hôtels et autres lieux d'habitation ; et
  - les chambres d'hôtes.
- Il n'a pas été conçu à des fins industrielles ou pour les laboratoires.
- N'essayez pas de démarrer le four lorsque sa porte est ouverte, sinon vous risquez d'être exposé à l'énergie nocive des micro-ondes. Les verrous de sécurité ne doivent pas être levés ou altérés.
- Le four sert à réchauffer les aliments et les boissons. Le séchage des aliments et des chiffons humides, et le chauffage des coussins, pantoufles et éponges chauffantes, et autres dispositifs pourraient causer des dommages corporels, ou un incendie.

# 1 Consignes de sécurité et d'environnement importantes

- Ne placez aucun objet entre la face avant et la porte du four. Ne laissez pas la saleté ou les restes de produits de nettoyage s'accumuler sur les surfaces de fermeture.
- Tout travail de réparation impliquant le retrait du couvercle qui assure la protection contre l'exposition à l'énergie micro-ondes doit être effectué par des personnes/services autorisés. Toute autre approche est dangereuse.
- Votre appareil est destiné à la cuisson, au chauffage et à la décongélation des aliments à domicile. Il ne doit pas être utilisé à des fins commerciales.
- Votre four n'est pas conçu pour sécher un être vivant.
- N'utilisez pas votre appareil pour sécher les vêtements ou les torchons de cuisine.
- N'utilisez pas cet appareil à l'extérieur, dans les salles de bain, dans des environnements humides ou dans des endroits où il peut être mouillé.
- Aucune responsabilité ou garantie n'est assumée pour les dommages résultant d'une mauvaise utilisation ou d'une manipulation incorrecte de l'appareil.
- N'essayez jamais de démonter l'appareil. Aucune réclamation de garantie n'est acceptée pour les dommages causés par une mauvaise manipulation.
- Utilisez uniquement les pièces ou pièces d'origine recommandées par le fabricant.
- Ne laissez pas l'appareil sans surveillance lorsqu'il est utilisé.
- Utilisez toujours l'appareil sur une surface stable, plane, propre, sèche et antidérapante.
- L'appareil ne doit pas être utilisé avec une horloge externe ou un système de commande à distance séparé.
- Nettoyez toutes les pièces de l'appareil avant de l'utiliser pour la première fois. Veuillez consulter les détails donnés dans la section « Nettoyage et entretien ».

# 1 Consignes de sécurité et d'environnement importantes

- N'utilisez l'appareil que pour l'usage auquel il est destiné, tel que décrit dans ce manuel.
- L'appareil devient brûlant lorsqu'il est utilisé. Faites attention à ne pas toucher les parties chaudes à l'intérieur du four.
- Ne faites pas fonctionner le four lorsqu'il est vide.
- La chaleur produite par les aliments peut être transmise aux ustensiles de cuisson et les faire chauffer. Vous aurez peut-être besoin de gants de cuisine pour tenir l'ustensile.
- Assurez-vous que les ustensiles sont adaptés à l'utilisation dans un four à micro-ondes.
- Ne placez pas le four sur des cuisinières ou d'autres appareils générant de la chaleur. Dans le cas contraire, il peut être endommagé, annulant ainsi la garantie.
- De la vapeur peut s'échapper lorsque vous ouvrez les couvercles ou le papier d'aluminium après la cuisson des aliments.
- L'appareil et ses surfaces accessibles peuvent être très chauds lorsque l'appareil fonctionne.
- La porte et le verre extérieurs peuvent être très chauds lorsque l'appareil fonctionne.
- Assurez-vous que votre alimentation électrique est conforme aux informations fournies sur la plaque signalétique de l'appareil.
- L'unique façon de déconnecter l'appareil de l'alimentation électrique est de retirer la fiche de la prise de courant.
- Utilisez l'appareil uniquement avec une prise mise à la terre.
- N'utilisez jamais l'appareil si le câble d'alimentation ou l'appareil lui-même est endommagé.
- N'utilisez pas cet appareil avec une rallonge.
- Ne touchez jamais l'appareil ou sa prise avec des mains humides.
- Placez l'appareil de manière à ce que la fiche soit toujours accessible.

# 1 Consignes de sécurité et d'environnement importantes

- Évitez d'endommager le câble d'alimentation en ne pas le serrer, le plier ou le frotter sur des bords tranchants. Éloignez le câble d'alimentation de toute surface brûlante et des flammes.
- Assurez-vous qu'il n'y ait aucun danger de tension accidentelle sur le câble d'alimentation et que personne ne risque de trébucher sur le câble, lorsque l'appareil est en marche.
- Débranchez l'appareil avant chaque nettoyage et lorsque l'appareil n'est pas utilisé.
- Ne tirez pas le câble d'alimentation de l'appareil pour le débrancher de son alimentation électrique et n'enroulez jamais son câble d'alimentation autour de l'appareil.
- Ne plongez pas l'appareil, le câble d'alimentation ou la fiche dans de l'eau ou dans tout autre liquide. Ne le maintenez pas sous l'eau courante.
- Si vous chauffez les aliments dans un récipient en plastique ou en papier, gardez un œil sur le four pour éviter tout risque d'inflammation.
- Retirez les attaches et poignées métalliques des récipients/sacs en papier ou en plastiques avant de la monter sur le four.
- Si vous remarquez de la fumée, débranchez l'appareil si cela peut se faire sans danger et maintenez la porte fermée pour étouffer les flammes.
- N'utilisez pas le four à micro-onde comme espace de rangement. Ne laissez pas des produits en papier, des ustensiles de cuisson ou des aliments dans la cavité du four lorsque vous ne l'utilisez pas.
- Le contenu des biberons et aliments pour bébé doit être remué ou agité et vérifiez la température avant de les consommer pour éviter tout risque de brûlure.



# 1 Consignes de sécurité et d'environnement importantes

- Ce produit est un appareil ISM du groupe 2 et de classe B. Le groupe 2 comprend tous les appareils ISM (à usage industriel, scientifique et médical) dans lesquels une énergie à fréquence radio est produite de façon intentionnelle et/ou utilisée sous la forme de radiations électromagnétiques pour le traitement de matériau, ainsi que les appareils dont les pièces sont usinées par électroérosion.
- Les appareils de la classe B sont conçus pour être utilisés dans un environnement domestique et dans des établissements directement reliés à un réseau d'alimentation basse tension.
- N'utilisez pas des huiles de cuisine dans le four. L'huile chaude peut endommager les composants et les matériaux du four. Elle peut également provoquer des brûlures de la peau.
- Percez les aliments à la croûte épaisse comme les pommes de terre, les courgettes, les pommes et les châtaignes.
- Disposez l'appareil de sorte que la face arrière soit tournée vers le mur.
- Avant de déplacer l'appareil, veuillez sécuriser le plateau tournant pour éviter tout dommage.
- Ne chauffez pas les œufs en coquille et les œufs durs entiers dans les fours à micro-ondes, ils peuvent exploser même après que le four ait terminé de chauffer.

**AVERTISSEMENT :** Si la porte ou les joints de la porte sont endommagés, faites-les réparer par une personne qualifiée avant de continuer à utiliser le four.

**AVERTISSEMENT :** Il est dangereux pour toute personne non qualifiée d'effectuer les travaux d'entretien et de réparation nécessitant le démontage du couvercle servant à protéger contre l'énergie des ondes du four.

**AVERTISSEMENT :** Les liquides et autres aliments ne doivent pas être chauffés dans les récipients fermés, parce qu'ils peuvent exploser.

# 1 Consignes de sécurité et d'environnement importantes

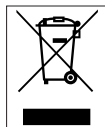
- Nettoyez le four régulièrement et enlevez tous les dépôts d'aliments dans le four.
  - Vous devez laisser un espace de 20 cm au-dessus de la surface supérieure du four.
  - Ne faites pas trop cuire les aliments, sinon vous risquez de provoquer un incendie.
  - N'utilisez pas de nettoyeur à la vapeur pour nettoyer l'appareil.
  - Des conditions de sécurité maximales sont requises lorsque l'appareil est utilisé près des enfants ou des personnes présentant des déficiences physiques, sensorielles ou mentales.
  - Cet appareil peut être utilisé par des enfants âgés d'au moins 8 ans et par des personnes ayant des capacités physiques, sensorielles ou mentales réduites ou dénuées d'expérience ou de connaissance, s'ils (si elles) sont correctement surveillé(es) ou si des instructions relatives à l'utilisation de l'appareil en toute sécurité leur ont été données et si les risques encourus ont été appréhendés.
- Les enfants ne doivent pas jouer avec l'appareil. Le nettoyage et l'entretien par l'utilisateur ne doivent pas être effectués par des enfants sans surveillance
- **Risque de suffocation !** Gardez tous les matériaux d'emballage hors de portée des enfants.
  - En raison de l'excès de chaleur qui se produit en modes gril et combiné, les enfants ne doivent être autorisés à utiliser ces modes que sous la surveillance d'un adulte.
  - Tenez l'appareil et son câble d'alimentation hors de la portée des enfants de moins de 8 ans.
  - Ne faites pas cuire les aliments directement sur le plateau en verre. Mettez les aliments dans/sur les ustensiles de cuisine appropriés avant de les placer dans le four.
  - Les récipients métalliques pour les aliments et les boissons ne sont pas autorisés pendant la cuisson au micro-ondes. Sinon, cela pourrait produire une formation d'étincelles.

# 1 Consignes de sécurité et d'environnement importantes

- Le four à micro-ondes ne doit pas être rangé dans une armoire non conforme aux instructions d'installation.
- Il est conçu uniquement pour être encastré.
- Si les appareils encastrés sont utilisés à une hauteur égale ou supérieure à 900 mm au-dessus du sol, il faut veiller à ne pas déplacer le plateau tournant lorsque vous retirez les récipients de l'appareil.
- Si l'appareil encastré se trouve dans une armoire ayant une porte, il doit être utilisé avec la porte de l'armoire ouverte.

## 1.2 Conformité avec la directive DEEE et mise au rebut des déchets :

Ce produit est conforme à la directive DEEE (2012/19/UE) de l'Union européenne. Ce produit porte un symbole de classification pour la mise au rebut des équipements électriques et électroniques (DEEE).



Ce symbole indique que ce produit ne doit pas être jeté avec les déchets ménagers à la fin de sa vie utile. Les appareils usagés doivent être retournés au point de collecte officiel destiné au recyclage des appareils électriques et électroniques. Pour trouver ces systèmes de collecte, veuillez contacter les autorités locales ou le détaillant auprès duquel vous avez acheté le produit.

Chaque ménage joue un rôle important dans la récupération et le recyclage des appareils ménagers usagés. L'élimination appropriée des appareils usagés aide à prévenir les conséquences négatives potentielles pour l'environnement et la santé humaine.

## 1.3 Conformité avec la directive LdSD :

L'appareil que vous avez acheté est conforme à la directive LdSD (2011/65/UE) de l'Union européenne. Il ne comporte pas les matériels dangereux et interdits mentionnés dans la directive.

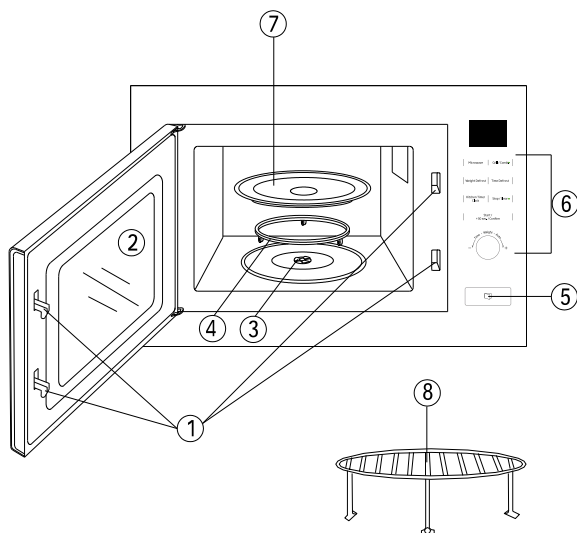
## 1.4 Information sur l'emballage



L'emballage du produit est composé de matériaux recyclables, conformément à notre réglementation nationale. Ne jetez pas les éléments d'emballage avec les déchets domestiques et autres déchets. Déposez-les dans un des points de collecte d'éléments d'emballage que vous indiquera l'autorité locale dont vous dépendez.

## 2 Votre four à micro-ondes

### 2.1 Vue d'ensemble



1. Système de verrouillage de sécurité de la porte
2. Hublot du four
3. Arbre du plateau tournant
4. Support du plateau tournant
5. Bouton d'ouverture de la porte
6. Panneau de commande
  - Micro-ondes
  - Gril/Combiné
  - Décongélation par le poids
  - Décongélation selon le temps
  - Minuterie pour cuisson
  - Stop/Clear
  - Start/+30Sec./Confirm
  - Temps / Poids / Auto (bouton-poussoir)
7. Plateau en verre
8. Grille (Ne peut être utilisé dans la fonction de Micro-ondes et doit être placé sur le plateau en verre)

### 2.2. Données techniques

<b>Consommation d'énergie</b>	230V~50Hz, 1270W (Micro-ondes) 1000W (gril)
<b>Courant de sortie</b>	800W
<b>Fréquence de fonctionnement :</b>	2450 MHz
<b>Dimensions extérieures (H x l x D) mm</b>	387 x 594 x 333
<b>Capacité du four</b>	20 litres
<b>Poids net</b>	16.5 kg
<b>Couleur</b>	Noir

Modifications relatives à la technique et à la conception réservées.

Les inscriptions sur l'appareil ou les valeurs indiquées dans d'autres documents fournis avec l'appareil sont des valeurs obtenues dans des conditions de laboratoire, conformément aux normes pertinentes. Ces valeurs peuvent varier en fonction de l'utilisation de l'appareil et des conditions ambiantes. Les valeurs de puissance sont testées à 230 V.

## 3 Installation et branchement

### 3.1 Instructions d'installation

- Veuillez respecter les consignes d'installation spéciales.
- L'appareil peut être installé dans une armoire murale de 60 cm de large.
- L'appareil est équipé d'une fiche et ne peut être raccordé qu'à une prise avec mise à la terre correctement effectuée.
- La tension principale doit correspondre à la tension spécifiée dans le tableau.
- La prise doit être installée et les câbles de raccordement doivent être installés par un technicien qualifié. Si la fiche n'est plus accessible après l'installation, prévoyez un dispositif de déconnexion omnipolaire sur le site d'installation avec une distance de contact d'au moins 3 mm.



**AVERTISSEMENT :** N'utilisez pas d'adaptateurs, de multiprises ou de rallonges. Une surtension peut provoquer un risque d'incendie.

### 3.2. Raccordement électrique

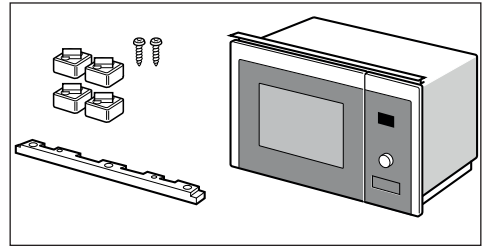
- L'appareil est équipé d'une fiche et ne peut être raccordé qu'à une prise avec mise à la terre correctement effectuée.
- Seul un électricien qualifié qui tient compte des réglementations appropriées peut installer la prise ou remplacer le câble de raccordement.
- Si la fiche n'est plus accessible après l'installation, prévoir un contacteur d'isolation à pôles multiples sur le côté de l'installation avec une distance de contact d'au moins 3mm.
- La protection de contact doit être assurée lors de l'installation.

### 3.3 Installation dans un meuble mural suspendu

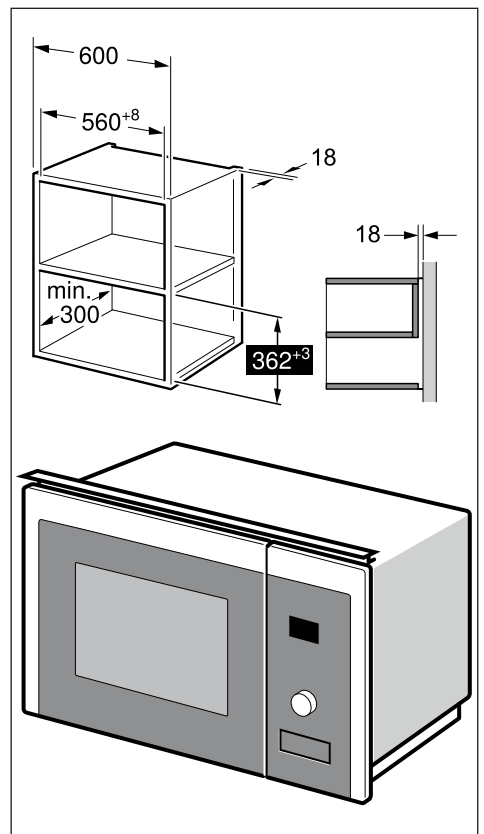
Le La niche d'installation ne doit pas avoir de panneaux arrière derrière l'appareil.

Hauteur d'installation minimum : 850 mm. Les fentes d'aération et les prises d'air ne doivent pas être couvertes.

Pièces ;



Installation dans un meuble mural suspendu



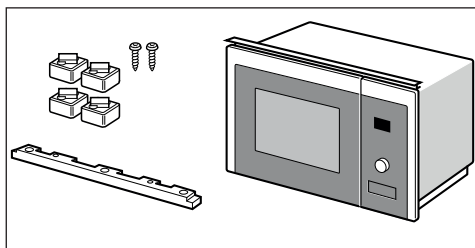
## 3 Installation et branchement

### 3.4 Installation dans une armoire colonne

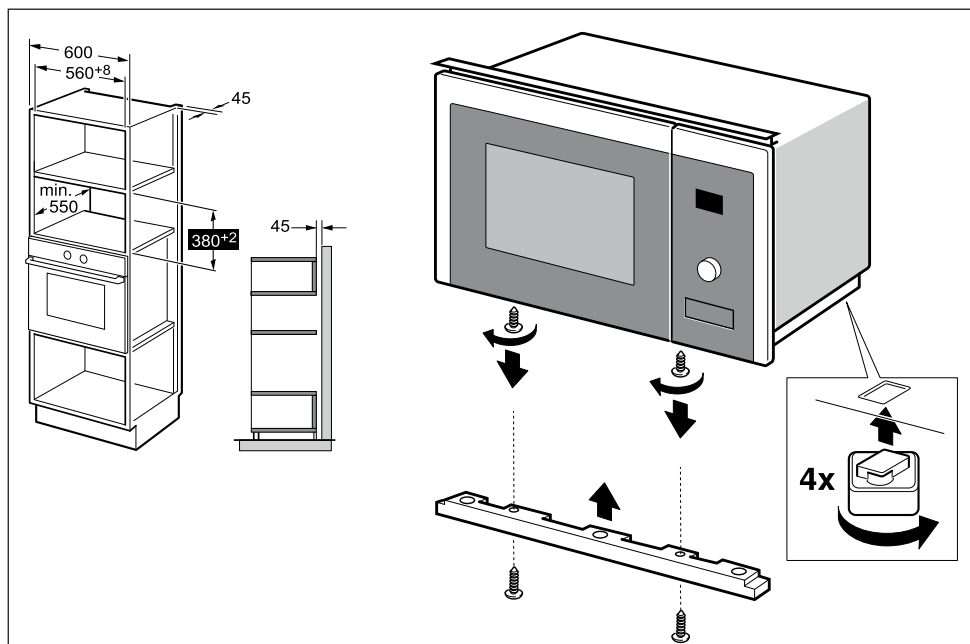
La niche d'installation ne doit pas avoir de panneaux arrière derrière l'appareil.

Hauteur d'installation minimum : 850 mm. Les fentes d'aération et les prises d'air ne doivent pas être couvertes.

**Pièces ;**



**Installation dans une armoire colonne**

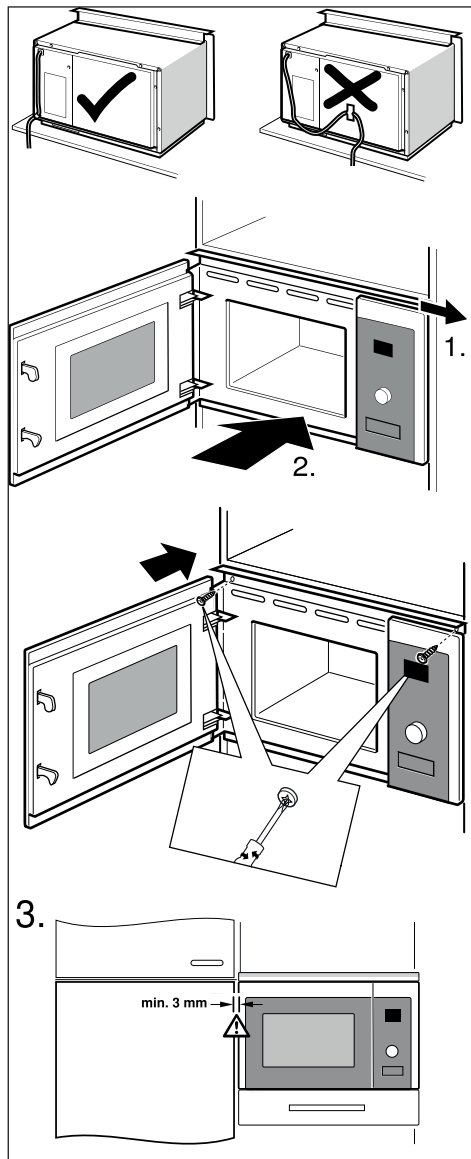


## 3 Installation et branchement

### 3.5 Installation du four

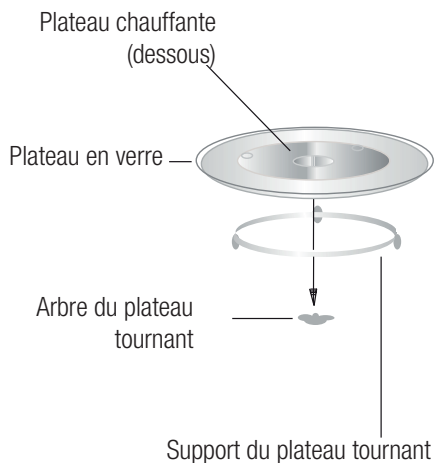


**AVERTISSEMENT :** Évitez de coincer ou d'entortiller le câble secteur.



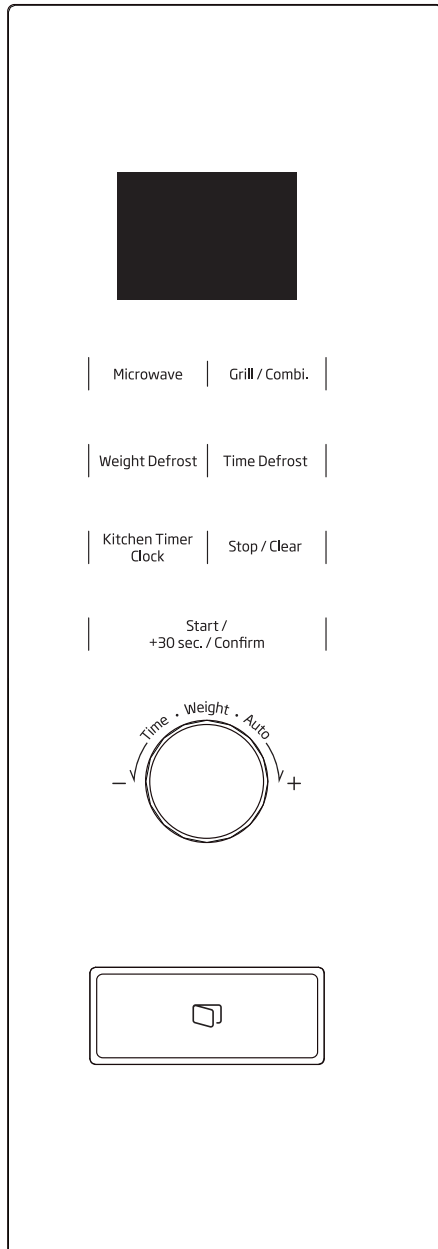
### 3.6 Installation du plateau tournant

- Ne placez jamais le plateau en verre à l'envers. Le mouvement de le plateau en verre ne doit jamais être entravé.
- Utilisez toujours le plateau en verre et le support du plateau tournant ensemble lors de la cuisson.
- Placez toujours tous les aliments et récipients d'aliments sur le plateau en verre pour effectuer la cuisson.
- Si le plateau en verre ou un support de plateau tournant se fissure ou se casse, contactez votre centre de service agréé le plus proche.



## 4 Fonctionnement

### 4.1 Panneau de commande



### 4.2 Réglage de l'horloge

Lorsque le four à micro-ondes est branché, il affiche « 0:00 » puis vous entendez un bip. Le four se met en mode veille.

1. Appuyez deux fois sur « Kitchen Timer/Clock » pour que les chiffres des heures commencent à clignoter.
2. Tournez « Time / Weight / Auto » pour régler l'heure ; la valeur d'entrée doit être comprise entre 0 et 23.
3. Appuyez sur « Kitchen Timer/Clock » pour que les chiffres des minutes commencent à clignoter.
4. Tournez « Time / Weight / Auto » pour régler les minutes ; la valeur d'entrée doit être comprise entre 0 et 59.
5. Appuyez sur « Kitchen Timer/Clock » pour terminer le réglage du temps. Le symbole « : » clignote et le temps s'allume.



Si l'horloge n'est pas réglée, il ne fonctionnera pas lors de l'allumage de l'appareil.

### 4.3 Cuisson au micro-ondes

1. Appuyez une fois sur la touche « Microwave » pour que « P100 » s'affiche.
2. Appuyez encore sur « Microwave » ou tournez « Time / Weight / Auto » pour sélectionner la puissance souhaitée. Chaque fois que vous appuyez sur la touche, « P100 », « P80 », « P50 », « P30 » ou « P10 » s'affichent respectivement.
3. Appuyez sur « Start/+30 Sec./Confirm » pour confirmer la puissance souhaitée.
4. Tournez « Time / Weight / Auto » pour régler le temps de cuisson à une valeur comprise entre 0:05 et 95:00.
5. Appuyez encore sur « Start/+30./Confirm » pour lancer la cuisson.
6. Le compte à rebours commence sur l'écran.
7. Vous entendrez un « bip » sonore une fois le processus terminé.



## 4 Fonctionnement

Les étapes de réglage du temps à l'aide du bouton de codage sont les suivantes :

Réglage de la durée	Valeur d'augmentation
0 à 1 minute	5 secondes
1 à 5 minutes	10 secondes
5 à 10 minutes	30 secondes
10 à 30 minutes	1 minute
30 à 95 minutes	5 minutes

### Tableau de puissance du micro-ondes

Puissance du four à micro-ondes	Élevé	Moyennement élevé	Moyen	Moyen Faible	Faible
Affichage	P100	P80	P50	P30	P10

### 4.4 Cuisson en mode gril ou combiné

1. Appuyez une fois sur « Gril/Combiné », pour que « G » apparaisse à l'écran.
2. Appuyez plusieurs fois ou tournez « Time / Weight / Auto » pour choisir la puissance que vous voulez, et « G », « C-1 » ou « C-2 » s'affichera.
3. Appuyez sur « Start/+30Sec./Confirm » pour confirmer la puissance.
4. Tournez « Time / Weight / Auto » pour régler le temps de cuisson. (Le temps maximal de cuisson est de 95 minutes.)
5. Appuyez encore sur « Start/+30Sec./Confirm » pour lancer la cuisson.
6. Le compte à rebours commence sur l'écran.
7. Vous entendrez un « bip » sonore une fois le processus terminé.

### Instructions liées à la puissance de la cuisson combinée

Programme	Affichage	Puissance du four à micro-ondes	Puissance du gril
Gril	G	0 %	100%
Combi.1	C-1	55%	45%
Combi.2	C-2	36%	64%



Une fois la moitié du temps de cuisson au gril écoulée, le four sonne deux fois. C'est normal. Pour une meilleure grillade, retournez l'aliment, fermez la porte et appuyez sur « Start/+30Sec./Confirm » pour continuer la cuisson. Si vous ne faites rien, le four continue de fonctionner.

### 4.5 Décongélation selon le poids

1. Appuyez une fois sur « Weight Defrost » et « DEF1 » s'affichera à l'écran.
2. Tournez « Time / Weight / Auto » pour sélectionner le poids d'un aliment. La plage de poids est de 100 à 2000 g.
3. Appuyez sur la touche « Start/+30Sec./Confirm » pour lancer la décongélation.
4. Le compte à rebours commence sur l'écran.
5. Vous entendrez un « bip » sonore une fois le processus terminé.



Une fois la moitié du temps de décongélation écoulée, le four sonne deux fois. C'est normal. Pour un meilleur décongélation, retournez l'aliment, fermez la porte et appuyez sur « Start/+30Sec./Confirm » pour continuer la cuisson. Si vous ne faites rien, le four continue de fonctionner.

## 4 Fonctionnement

### 4.6 Décongélation selon le temps

1. Appuyez une fois sur « Time Defrost » et « dEF2 » s'affichera à l'écran.
2. Tournez « Time / Weight / Auto » pour sélectionner le temps de cuisson. Le temps maximal de cuisson est de 95 minutes.
3. Appuyez sur la touche « Start/+30Sec./Confirm » pour lancer le décongélation.
4. Le compte à rebours commence sur l'écran.
5. Vous entendrez un « bip » sonore une fois le processus terminé.



Une fois la moitié du temps de décongélation écoulée, le four sonne deux fois. C'est normal. Pour un meilleur décongélation, retournez l'aliment, fermez la porte et appuyez sur « Start/+30Sec./Confirm » pour continuer la cuisson. Si vous ne faites rien, le four continue de fonctionner.

### 4.7 Cuisson en plusieurs étapes

2 étapes peuvent être réglées au maximum. Si la première étape c'est le décongélation, sélectionnez-la automatiquement en premier. Le bipéur va sonner après chaque étape et la prochaine étape enchaîne.



Le menu Auto et la cuisson rapide ne peuvent être réglés comme l'une des multiples étapes.

**Exemple :** Si vous voulez dégivrer un aliment pendant 5 minutes, et ensuite le faire cuire à une puissance de cuisson de 80 % pendant 7 minutes.

#### Les étapes à suivre sont les suivantes :

1. Appuyez une fois sur « Time Defrost » et « dEF2 » s'affichera à l'écran.
2. Tournez « Time / Weight / Auto » pour régler le temps de décongélation à 5 minutes ;

3. Appuyez une fois sur « Microwave » et « P100 » s'affichera à l'écran.
4. Appuyez plusieurs fois sur « Microwave » pour sélectionner la puissance de cuisson du micro-ondes jusqu'à ce que « P80 » apparait ;
5. Appuyez sur « Start/+30Sec./Confirm » pour confirmer.
6. Tournez « Time / Weight / Auto » pour régler le temps de cuisson à 7 minutes ;
7. Appuyez sur « Start/+30Sec./Confirm » pour lancer la cuisson.
8. Vous entendrez un « bip » sonore une fois le processus terminé.

### 4.8 Minuterie pour cuisson

1. Appuyez une fois sur « Kitchen Timer/Clock » et « 00:00 » s'affichera à l'écran.
2. Tournez « Time / Weight / Auto » pour entrer la minuterie exacte. (Le temps maximal de cuisson est de 95 minutes.)
3. Appuyez sur « Start/+30Sec./Confirm » pour confirmer.
4. Le compte à rebours commence sur l'écran.
5. Vous entendrez un « bip » sonore une fois le processus terminé.

### 4.9 Menu Auto

1. En mode veille, tournez « Time / Weight / Auto » à droite pour choisir le menu. L'écran affiche « A 1 ».
2. Tournez « Time / Weight / Auto » pour choisir le menu souhaité, « A 1 » à « A 8 » s'affiche à l'écran.
3. Appuyez sur « Start/+30Sec./Confirm » pour confirmer le menu.
4. Tournez « Time / Weight / Auto » pour choisir le poids des aliments.
5. Appuyez encore sur « Start/+30Sec./Confirm » pour lancer la cuisson.

## 4 Fonctionnement

6. Le compte à rebours commence sur l'écran.

7. Vous entendrez un « bip » sonore une fois le processus terminé.


### Tableau de menu :

Menu	Poids	Puissance
A 1 - Pizza	200 g	100 % (Mic.)
	400 g	
A 2 - Viande	250 g	100 % (Mic.)
	350 g	
	450 g	
A 3 - Légumes	200 g	100 % (Mic.)
	300 g	
	400 g	
A 4 - Pâtes	50 g (avec 450 g d'eau froide)	80% (Mic.)
	100g (avec 800g d'eau froide)	
A 5 - Pomme de terre	200 g	100 % (Mic.)
	400 g	
	600 g	
A 6 - Poisson	250 g	80% (Mic.)
	350 g	
	450 g	
A 7 - Boisson	1 verre (environ 120 ml)	100 % (Mic.)
	2 verres (environ 240 ml)	
	3 verres (environ 360 ml)	
A 8 - Maïs soufflé	50 g	100 % (Mic.)
	100 g	

### 4.10 Cuisson rapide

1. En état de veille, appuyez sur la touche « Start/+30Sec./Confirm » cuire avec 100 % de la puissance du four pendant 30 secondes. Chaque fois que vous appuyez sur la même touche, vous augmentez le temps de 30 secondes. Le temps maximum de cuisson est de 95 minutes.
2. Pendant la cuisson au four à micro-ondes, au gril ou en combiné et le processus de décongélation selon le temps, appuyez sur « Start/+30Sec./Confirm » pour augmenter le temps de cuisson.
3. Pendant la cuisson sur menu auto et le la décongélation selon le poids, le temps de cuisson ne peut être augmenté en appuyant sur la touche « Start/+30Sec./Confirm ».
4. En mode veille, tournez « Time / Weight / Auto » à gauche pour choisir le temps de cuisson. Après le réglage du temps de cuisson, appuyez sur « Start/+30Sec./Confirm » pour lancer la cuisson au micro-ondes avec 100 % de la puissance du four.

### 4.11 Fonction de verrouillage pour enfants

**Verrouillage :** Lorsque le four est en position d'attente, appuyez sur « STOP/Clear » pendant 3 secondes pour passer en mode sécurité enfants et l'heure s'affiche si l'horloge a été paramétrée. Dans le cas contraire, l'écran affiche «  ».

**Déverrouillage :** En mode verrouillage, appuyez sur « STOP/Clear » pendant 3 secondes, le système est déverrouillé.

## 4 Fonctionnement

### 4.12 Fonction de recherche d'informations

1. Pendant la cuisson au four à micro-ondes, au grill et en combiné. Appuyez sur « Microwave » ou « Grill/Combi. » pour afficher la puissance actuelle pendant 2 à 3 secondes.
2. Si l'horloge a été réglée, pendant la cuisson, appuyez sur « Kitchen Timer/Clock » pour vérifier l'heure actuelle. L'heure s'affiche pendant à 3 secondes.

### 4.13 Spécification

1. Si la porte est ouverte en cours de cuisson, fermez-la et appuyez ensuite sur « Start/+30Sec./Confirm » pour poursuivre la cuisson.
2. Une fois que le programme de cuisson a été réglé, n'appuyez pas sur « Start/+30Sec./Confirm » pendant 1 minute. Le temps actuel s'affiche. Le réglage sera annulé.
3. Le signal sonore retentit une fois lorsqu'on appuie correctement, ne sonne pas si vous n'appuyez pas correctement.

## 5 Conseils de cuisson

Les facteurs suivants peuvent affecter la cuisson:

### Disposition des aliments

Placez les grosses tranches sur les bords du récipient et les tranches fines au centre et disposez-les de manière uniforme. Évitez au besoin de les superposer.

### Temps de cuisson

Lancez la cuisson avec un petit temps de cuisson, inspectez l'aliment et rallongez le temps au besoin une fois écoulé. Une surcuisson peut produire la fumée et les brûlures.

### Cuire les aliments de manière uniforme

Les aliments comme le poulet, hamburger ou le steak doivent être retournés une fois pendant la cuisson.

En fonction du type d'aliment, si possible, retournez-le de l'extérieur vers le centre du récipient une ou deux fois pendant la cuisson.

### Laissez un temps de repos

Une fois le temps de cuisson écoulé, laissez l'aliment se reposer pendant un bout de temps, cela permet à l'aliment de terminer son cycle de cuisson complet et de se refroidir progressivement.

### Si l'aliment est cuit

La couleur et la fermeté de l'aliment permettent de déterminer s'il est cuit. Ceci inclut :

- La vapeur provenant de toutes les parties de l'aliment, pas seulement des bouts.
- Les os du poulet peuvent être brisés facilement
- Le porc ou le poulet ne contient plus de sang
- Le poisson est opaque et peut être taillé facilement avec une fourchette.

### Plat brunisseur

Si vous utilisez un plat brunisseur ou un plat auto-chauffant, placez toujours un isolateur de chaleur comme un plat en porcelaine sous lui pour éviter qu'il n'endommage le plateau tournante.

### Sac plastique pour micro-ondes

Lorsque la cuisson contient une grande quantité de matières grasses, ne laissez pas le sac plastique entrer en contact avec l'aliment, car il pourrait fondre.

### Récipient plastique pour micro-ondes

Certains récipients plastiques pour micro-ondes peuvent ne pas être adaptés à la cuisson d'aliments trop gras et trop sucré. De plus, le temps de préchauffage mentionné dans le manuel d'utilisation ne doit être dépassé.

## 6 Consigne sur les ustensiles

### 6.1 Les récipients à utiliser dans le four à micro-ondes et ceux à ne pas utiliser



Risque de blessure corporelle Il est dangereux pour toute personne non qualifiée d'effectuer les travaux d'entretien et de réparation nécessitant le démontage du couvercle servant à protéger contre l'énergie des ondes du four.

Lire les instructions sur "Les récipients à utiliser dans le four à micro-ondes et ceux à ne pas utiliser. Il existe des ustensiles non métalliques qui ne sont pas indiqués pour les fours à micro-ondes. En cas de doute, testez l'ustensile concerné selon la procédure suivante.

#### Test d'ustensile :

1. Remplissez un récipient pour four à micro-ondes avec 1 verre d'eau froide (250 ml) avec l'ustensile en question.
2. Faites cuire à la puissance maximale pendant 1 minute.
3. Remplissez soigneusement l'ustensile. Si l'ustensile vide est chaud, ne l'utilisez pas dans le four à micro-ondes.
4. N'allez pas au-delà d'une minute de cuisson.

<b>Matériaux à utiliser à l'intérieur du four à micro-ondes</b>	
<b>Ustensiles</b>	<b>Remarques</b>
Papier d'aluminium	Protégez uniquement. De petits morceaux fins peuvent être utilisés pour recouvrir les tranches fines de viande ou de volaille pour éviter qu'elles ne cuisent trop. Il peut avoir formation d'arc si la feuille utilisée est très proche des parois du four. La distance entre les parois du four et le papier doit être d'au moins 1 pouce (2,5 cm).
Plat brunisseur	Suivez les instructions du fabricant. Le fond du plat brunisseur doit être d'au moins 3/16 pouces (5 mm) au-dessus du plateau tournant. La mauvaise utilisation pourrait casser le plateau tournant.
Vaisselle	Adaptée uniquement au four à micro-ondes Suivez les instructions du fabricant. N'introduisez pas de vaisselle fissurée ou brisée dans le four à micro-ondes.
Pots en verre	Retirez toujours le couvercle. Utilisez-les uniquement pour réchauffer les aliments. La majorité des pots en verre ne sont pas résistants à la chaleur et pourraient se casser.
Contenants en verre	Pour four à micro-ondes et résistant à la chaleur uniquement. Assurez-vous qu'ils ne présentent aucune bordure métallique. N'introduisez pas de vaisselle fissurée ou brisée dans le four à micro-ondes.
Sacs brunisseurs	Suivez les instructions du fabricant. Ne fermez pas avec la tige de métal. Laissez des fentes afin de permettre à la vapeur de s'échapper.
Assiettes et tasses en papier	Utilisez pour des cuissons courtes/chauffer uniquement. Ne laissez pas le four sans surveillance pendant la cuisson.
Serviettes en papier	Utilisez pour couvrir les repas pendant le chauffage et pour absorber le gras. Utilisez sous surveillance et pour une cuisson courte uniquement.

## 6 Consigne sur les ustensiles

Papier sulfurisé	Utilisez comme couvercle pour éviter que l'aliment ne gicle ou emballez pour les cuissons à la vapeur.
Plastique	Adaptée uniquement au four à micro-ondes Suivez les instructions du fabricant. Doit porter l'étiquette « Pour four à micro-ondes ». Certains contenants en plastique s'assouplissent lorsque les aliments qui y sont contenus deviennent chauds. « Les sacs à chauffer » et les sachets en plastique correctement fermés doivent comporter une fente ou être aérés tel qu'indiqué sur l'emballage.
Emballage plastique	Adaptée uniquement au four à micro-ondes Utilisez-les pour couvrir les aliments pendant la cuisson afin de retenir l'humidité. L'emballage plastique ne doit pas toucher les aliments.
Thermomètres	Adaptés uniquement au four à micro-ondes (thermomètres pour viande des confits).
Papier ciré	Utilisez comme couvercle pour éviter que l'aliment ne gicle et pour retenir la vapeur
<b>Matériaux à ne jamais utiliser dans le four à micro-ondes</b>	
Cuvette en aluminium	Pourrait causer la formation d'un arc. Transférez les aliments dans le plat à mettre au micro-ondes.
Les produits alimentaires en carton avec poignée métallique.	Pourrait causer la formation d'un arc. Transférez les aliments dans le plat à mettre au micro-ondes.
Ustensiles en métal ou garnis de métal	Le métal empêche les ondes de pénétrer l'aliment. La garniture métallique pourrait causer la formation d'arc.
Attaches torsadées métalliques	Pourrait causer la formation d'un arc et des flammes dans le four.
Sacs en papier	Pourrait causer la formation de flammes dans le four.
Mousse plastique	La mousse plastique peut fondre ou contaminer le liquide à l'intérieur lorsqu'elle est exposée à une forte température.
Bois	Le bois sèche lorsqu'il est utilisé dans le four à micro-ondes et pourrait par conséquent se fissurer.

# 7 Nettoyage et entretien

## 7.1 Nettoyage



**AVERTISSEMENT :** N'utilisez jamais d'essence, de solvants, de nettoyants abrasifs, d'objets métalliques ou de brosses dures pour nettoyer l'appareil.



**AVERTISSEMENT :** Ne trempez jamais l'appareil ou son câble d'alimentation dans de l'eau ou dans tout autre liquide.

1. Éteignez et débranchez l'appareil.
2. Patientez afin de permettre à l'appareil de refroidir complètement.
3. Gardez l'intérieur du four propre. Essuyez-le à l'aide d'un chiffon humide lorsque des éclaboussures d'aliments ou des liquides renversés collent aux parois de l'appareil. Si le four est très sale, utilisez un peu de détergent doux. Évitez d'utiliser des sprays et autres produits de nettoyage agressifs, car ils peuvent provoquer des taches, des marques et une opacité sur la surface de la porte.
4. Nettoyez les surfaces extérieures de l'appareil à l'aide d'un chiffon humide. Ne laissez pas l'eau s'infiltrer par les orifices d'aération pour prévenir tout dommage des pièces fonctionnelles de l'appareil.
5. Essuyez fréquemment les deux côtés de la porte et de la vitre, les joints de porte et les pièces à proximité des joints à l'aide d'un chiffon humide, de sorte à nettoyer les taches de débordement et d'éclaboussures. N'utilisez pas des nettoyants abrasifs.
6. Évitez de mouiller le panneau de commande. Nettoyez-le à l'aide d'un chiffon doux et humide. Laissez la porte de l'appareil ouverte pour éviter toute mise en marche inattendue lors du nettoyage du panneau de commande.
7. Si de la vapeur s'accumule à l'intérieur ou autour de la porte du four, essuyez à l'aide d'un chiffon doux. Ce phénomène peut se produire lorsque le four à micro-ondes fonctionne dans des conditions d'humidité élevée. C'est normal.
8. Dans certains cas, vous devrez retirer le plateau en verre pour le nettoyer. Lavez le plateau dans de l'eau savonneuse tiède ou au lave-vaisselle.
9. Nettoyez régulièrement la bague de rouleau et le fond de l'appareil pour éviter tout bruit excessif.
10. Il suffit d'essuyer la surface inférieure de l'appareil à l'aide d'un détergent doux. Lavez la bague de rouleau dans de l'eau savonneuse tiède ou au lave-vaisselle. Lorsque vous retirez la bague de rouleau de la surface intérieure de l'appareil pour la nettoyer, assurez-vous de la replacer correctement.
11. Afin d'éliminer les mauvaises odeurs de votre appareil, mettez un verre d'eau et de jus ainsi que le zeste d'un citron dans un bol profond adapté au micro-ondes et faites fonctionner l'appareil pendant 5 minutes en mode micro-ondes. Rincez soigneusement et essuyez à l'aide d'un chiffon doux.
12. Veuillez contacter le service agréé lorsque vous devez remplacer l'ampoule de l'appareil.
13. Nettoyez l'appareil régulièrement et enlevez tous les dépôts d'aliments dans le four. Si l'appareil n'est pas maintenu propre, des défauts de surface pourraient survenir, ce qui affecterait négativement le cycle de vie de l'appareil et entraînerait des risques.
14. Veuillez ne pas mettre cet appareil au rebut avec les ordures ménagères ; mettez les fours usagés au rebut dans les centres de déchets spéciaux prévus par les municipalités.
15. Lorsque l'appareil est utilisé en mode grill, une petite quantité de fumée et d'odeur peut se dégager et disparaître après un certain temps d'utilisation.

## 7 Nettoyage et entretien

### 7.2 Stockage

- Si vous n'avez pas l'intention d'utiliser l'appareil pendant une longue période, conservez-le soigneusement.
- Veillez également à ce que l'appareil soit débranché, refroidi et entièrement sec.
- Conservez l'appareil dans un endroit frais et sec.
- Tenez l'appareil hors de portée des enfants.

### 7.3 Manipulation et transport

- Lors de la manipulation et du transport, transportez l'appareil dans son emballage d'origine.
- L'emballage de l'appareil le protège des dommages physiques.
- Ne placez pas de charges lourdes sur l'appareil ou sur l'emballage. L'appareil peut être endommagé.

## 8 Dépannage

Normal	
Interférence du four à micro-ondes avec la réception TV	Interférence de la radio et la Télévision lorsque le four à micro-ondes est en marche. Cette situation est similaire à l'interférence des petits appareils électriques à l'instar du mixeur, de l'aspirateur et du ventilateur. Ce phénomène est normal.
L'éclairage du four est faible	Lors d'une cuisson à basse puissance, l'éclairage du four peut être faible. Ce phénomène est normal.
La vapeur s'accumule sur la porte, de l'air chaud s'échappe des bouches d'air	Pendant la cuisson, de la vapeur peut se dégager des aliments. La grande partie de cette vapeur s'échappe à travers les fentes. Une autre quantité pourrait cependant s'accumuler sur une surface froide comme la porte du four. Ce phénomène est normal.
Le four est mis en marche par erreur sans aliment.	Il est interdit de mettre l'appareil en marche sans aliment. Cette pratique est très dangereuse.

Problème	Raison éventuelle	Solution
Le four ne s'allume pas	1) Le câble d'alimentation n'est pas correctement branché.	Débranchez. Puis rebranchez après 10 secondes.
	2) Le fusible est grillé ou le disjoncteur se déclenche.	Remplacez le fusible ou réinitialisez le disjoncteur (réparé par le personnel qualifié de notre entreprise).
	3) La prise de courant présente un défaut.	Testez la prise avec d'autres appareils.
Le four ne chauffe pas	4) La porte n'est pas fermée correctement.	Fermez correctement la porte.



## Vänligen läs den här användarmanualen först!

Kära kund,

Tack för ditt köp av denna Beko-produkt. Vi hoppas att du får bästa resultat från produkten, som har tillverkats med hög kvalitet och senaste teknologi. Läs därför denna bruksanvisning och andra medföljande dokument noggrant, innan du använder produkten och spara den till framtida behov. Om du överlåter produkten till någon annan ska manualen också medfölja. Följ alla varningar och information i bruksanvisningen.

### Symbolernas betydelse

Följande symboler har använts i olika delar i denna bruksanvisning:



Viktig information och användbara tips om användning.



Varning för livsfara och egendom



Varning för heta ytor.



Varning för elchock.



Varning för brandrisk.



Denna produkt har tillverkats i miljövänliga moderna fabriker utan att påverka miljön.

# 1 Viktiga säkerhets- och miljöinstruktioner

## Viktiga säkerhetsinstruktioner Läs noggrant och spara för kommande behov

### 1.1 Säkerhetsvarningar

Den här delen innehåller säkerhetsinstruktioner som kommer hjälpa dig att skydda dig ifrån risken av brand, elchock, exponering till läckande mikrovågseenergi, personskada eller egendomsskada. Underlåtelse att följa dessa instruktioner kommer att häva alla garantier.

- Beko mikrovågsugnar följer tillräckliga säkerhetsstandard; därför ska de, om enheten eller strömkabeln har skadats, ska återförsäljaren, servicecenter eller specialist- och auktoriserad service, för att undvika fara. Felaktig eller okvalificerad reparation kan vara farligt och ursaka fara för användaren.
- Den här apparaten är avsedd att användas i ett hushåll eller i liknande användande såsom:
  - personalkök i affärer, kontor och andra arbetsmiljöer;
  - bondgårdar
  - kunder på hotell, motell och andra boendemiljöer;
  - Rum och frukost-miljöer.
- Den är inte avsedd för kommersiellt eller laboratoriebruk.
- Försök inte att starta ugnen, med dess lucka öppen; du kan exponeras till farlig mikrovågseenergi. Säkerhetslåsen ska inte kopplas ur eller mixtras med.
- Mikrovågsugnen är avsedd till värmning av mat och drycker. Torkning av mat eller kläder och uppvärmning av värmekuddar, tofflor, svampar, fuktiga trasor och motsvarande kan leda till personskada eller brandfara.
- Placera inga föremål mellan ugnens framsida och lucka. Låt inte smuts eller rengöringsmedelrester samlas i stängningsytorna.
- All service, som innehåller borttagning av skyddet mot exponering av mikrovågsenergi måste utföras av auktoriserad person. Alla andra åtaganden kan vara farliga.

# 1 Viktiga säkerhets- och miljöinstruktioner

- Produkten är ämnad för kokning, uppvärmning och smältning av mat hemma. Sen får inte användas till kommersiellt bruk.
- Ugnen är inte ämnad till att värma levande varelser.
- Använd inte apparaten till torkning av kläder eller kökshanddukar.
- Använd inte apparaten utomhus, badrum, fuktiga miljöer eller platser där den kan bli blöt.
- Ingen ansvar eller garantianspråk kan åberopas för skador som uppstår av missbruk eller felaktig användning av produkten.
- Försök inte att demontera enheten. Inga garantianspråk godkänns för felaktigt använd apparat.
- Använd bara originalreservdelar eller reservdelar rekommenderade av tillverkaren.
- Lämna inte enheten utan övervakning, när den är på.
- Använd alltid apparaten på en stabil, jämn, ren, torr och halksäker yta.
- Apparaten är inte avsedd att användas med extern timer eller ett separat fjärrkontrollsystem.
- Rengör alla delar, innan första användning. Se informationen i sektionen "Rengöring och underhåll".
- Använd apparaten till dess avsedda bruk och i enlighet med denna bruksanvisning.
- Apparaten blir het under användning. Rör inte i heta delar inne i ugnen.
- Använd inte ugnen tom.
- Matlagningsredskapen kan bli heta, beroende på värme som överförs från värmd mat. Du kan behöva att använda handskar till att hålla redskapet.
- Redskapen ska kontrolleras så, att de passar till användning i mikrovågsugn.
- Placera inte ugnen på spisar eller andra värmealstrande apparater. Den kan skadas och garantin hävas.
- Ånga kan komma ut när lock eller folie öppnas efter användning.

# 1 Viktiga säkerhets- och miljöinstruktioner

- Apparaten och dess ytor kan bli mycket heta under användning.
- Luckan och yttre glaset kan bli mycket heta under användning.
- Se till, att strömtillförseln överensstämmer med informationen på apparatens typskylt.
- Enda sättet att koppla ur apparaten från strömförsörjningen är att koppla ut stickkontakten ur vägguttaget.
- Använd apparaten endast med jordad vägguttag.
- Använd inte enheten, om strömkabeln eller själva enheten är skadad.
- Använd inte apparaten med förlängningsladd.
- Rör aldrig i apparaten eller dess stickkontakt med fuktiga eller blöta händer.
- Apparaten ska installerats så, ett kontakten är tillgänglig.
- Förhindra att strömkabeln skadas genom att inte klämma, böja eller låta den skava mot vassa kanter. Håll strömkabeln borta från heta ytor och öppen eld.
- Se till, att strömkabeln inte kan kopplas ur oavsiktligt eller att man kan snava på den, när apparaten används.
- Koppla ur apparaten före rengöring och när den inte används.
- Koppla inte ur stickkontakten genom att dra i kabeln, och vira inte strömkabeln runt apparaten.
- Sänk inte apparaten, strömkabeln eller stickkontakten i vatten eller andra vätskor. Håll den inte under rinnande vatten.
- När mat i plast- eller pappersbehållare värms, håll ett öga på ugnen pga. möjlig tändningsfara.
- Ta bort metalltrådar eller handtag från pappers- eller plastpåsar, innan de placeras i ugnen.
- Om rök uppstår, stäng av och koppla ur apparaten om det är säkert att göra detta, och låt dörren vara stängd för att kväva lågorna.
- Använd inte mikrovågsugnen till förvaring. Lämna inte pappersföremål, matlagingsmaterial eller mat i ugnen när den inte används.

# 1 Viktiga säkerhets- och miljöinstruktioner

- Nappflaskor och barnmatsburkar ska skakas eller röras om och temperaturen kontrolleras innan konsumtion, för att undvika brännskador.
  - Denna apparat är en Grupp 2 Klass B ISM enhet. Grupp 2 innehåller alla ISM (Industriella, Vetenskapliga och Medicinska) enheter, i vilka radiofrekvensenergi genereras och/eller används i form av elektromagnetisk strålning för behandling av material och gnistbehandlingsmaskiner.
  - Klass B apparater passar till hushållsanvändning direkt anslutna till lågspänningsströmförsörjning.
  - Använd inte matlagningsolja i ugnen. Het olja kan skada ugnens komponenter eller material och orsaka även brännskada.
  - Gör hål i mat med tjock skal, så som potatis, zucchini, äpplen och kastanjer.
  - Apparaten måste placeras så, att baksidan är vänd mot väggen.
  - Fäst vändskivan för att undvika skada, innan apparaten flyttas.
  - Ägg i skal och hårdkokta ägg ska inte värmas i mikrovågsugn, då de kan explodera, även efter uppvärmningen har avslutats.
- WARNING:** Om luckan eller dess tätning är skadad, får ugnen inte användas, innan kompetent person har lagat dessa.
- WARNING:** Det är farligt, om annan än en kompetent person utför reparationer eller underhåll, som innehåller borttagning av höljen, som skyddar mot exponering till mikrovågsenergi.
- WARNING:** Vätskor och mat får inte värmas i slutna behållare, då de kan explodera.
- Ugnen ska rengöras regelbundet och matrester avlägsnas.
  - Minst 20 cm ledigt utrymme ska finnas ovanför apparaten.
  - Överkoka inte maten, detta kan leda till brandfara.
  - Använd inte kemikalier eller ångtvätt till att rengöra apparaten.

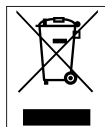
# 1 Viktiga säkerhets- och miljöinstruktioner

- Vi uppmanar till försiktighet, om apparaten används nära barn eller personer, med begränsad fysisk, sensorisk eller mental kapacitet.
- Denna produkt kan användas av minst 8-åriga barn och personer med begränsad fysisk, sensorisk eller mental kapacitet, eller som saknar erfarenhet eller kännedom förutsatt, att de är övervakade eller utbildade till att använda produkten på ett säkert sätt och förstår riskerna med detta. Barn ska inte leka med apparaten. Barn får inte rengöra eller underhålla produkten utan övervakning.
- **Kvävningsfara!** Håll förpackningsmaterial borta från barn.
- Pga. av värme, som alstras i grill- eller kombinationslägen, får barn använda dessa lägen bara under övervakning.
- Placera apparaten och strömkabeln så, att barn under 8 år inte kan nå dessa.
- Laga inte mat direkt på glasunderlägget. Lägg maten i / på lämplig köksredskap innan den placeras i ugnen.
- Metallbehållare för mat eller drycker får inte användas i mikrovågsugnen. Detta kan leda till gnistbildning.
- Mikrovågsugnen får inte placeras i skåp som inte är i enlighet med installationsinstruktionerna.
- Mikrovågsugnen är ämnad endast till användning inbyggd.
- Om inbyggd apparat används 900 mm eller högre från golvet, kontrollera att vändskivan inte lossnar från sitt läge, när behållaren tas ut ur apparaten.
- Om den inbyggda produkten är i ett skåp med dörr, ska produkten användas skåpdörren öppen.

# 1 Viktiga säkerhets- och miljöinstruktioner

## 1.2 I enlighet med WEEE-direktivet för hantering av avfallsprodukter:

Den här produkten gäller under EU WEEE-direktivet (2012/19/EU). Den här produkten är försedd med en klassificeringssymbol för avfallshantering av elektriskt och elektroniskt material (WEEE).



Denna symbol indikerar att denna produkt inte ska kasseras med annat hushållsavfall vid slutet av dess livslängd. Använd enhet måste returneras till officiell insamlingsplats för återvinning av elektriska och elektroniska apparater. För att lokalisera dessa insamlingsystem, kontakta lokala myndigheter eller den återförsäljare där produkten införskaffades. Varje hushåll spelar en viktig roll för återförande och återvinning av gamla apparater. Lämpligt bortskaffande av använda apparater hjälper till att förhindra eventuella negativa konsekvenser för miljön och människors hälsa.

Denna symbol indikerar att denna produkt inte ska kasseras med annat hushållsavfall vid slutet av dess livslängd. Använd enhet måste returneras till officiell insamlingsplats för återvinning av elektriska och elektroniska apparater. För att lokalisera dessa insamlingsystem, kontakta lokala myndigheter eller den återförsäljare där produkten införskaffades. Varje hushåll spelar en viktig roll för återförande och återvinning av gamla apparater. Lämpligt bortskaffande av använda apparater hjälper till att förhindra eventuella negativa konsekvenser för miljön och människors hälsa.

## 1.3 I enlighet med RoHS-direktivet:

Produkten du har köpt gäller under EU RoHS-direktivet (2011/65/EU). Den innehåller inga av de farliga eller förbjudna material som anges i direktiven.

## 1.4 Förpackningsinformation

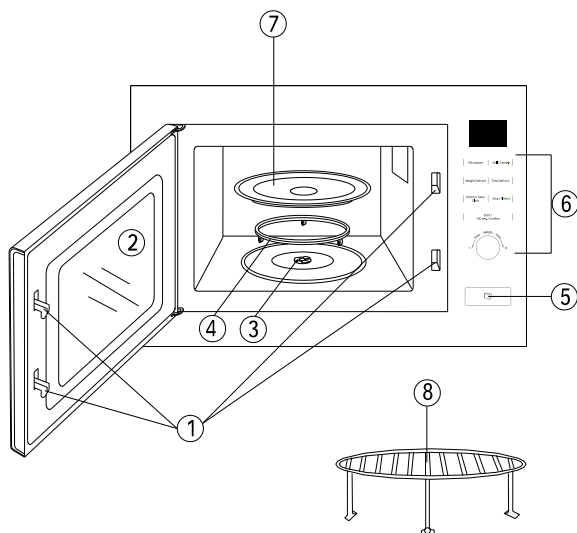


Förpackningen för din produkt är tillverkad av återvinningsbart material i enlighet med nationella miljöföreskrifter.

Kasta inte förpackningsmaterial i hushållsavfall eller annat liknande avfall. Ta dem till ett insamlingsställe för förpackningsmaterial som anvisas av de lokala myndigheterna.

## 2 Din mikrovågsugn

### 2.1 Översikt



1. Luckans säkerhetslås
2. Ugnens fönster
3. Vändskivans axel
4. Vändskivans stöd
5. Luckans öppningsknapp
6. Kontrollpanel
  - Mikrovåg
  - Grill / kombi.
  - Vikt tining
  - Tid tining
  - Kök timerklocka
  - Stop / radera
  - Start/+30 sek./Bekräfta
  - Tid / Vikt / Auto ( tryckknapp)
7. Glasunderlägg
8. Grillhylla ( kan inte användas i mikrovågsläge och ska placeras på glasunderlägget )

### 2.2. Tekniska data

<b>Energiförbrukning</b>	230 V~50 Hz, 1270 W (Mikrovågor) 1000 W (Grill)
<b>Uteffekt</b>	800 W
<b>Användningsfrekvens</b>	2450 MHz
<b>Yttre mått (Hx Bx D) mm</b>	387x594x333
<b>Ugnens kapacitet</b>	20 liter
<b>Nettovikt</b>	16.5 kg
<b>Färg</b>	Svart

Rättigheter till tekniska och designmodifikationer reserveras.

Märkningarna i apparaten eller värden som angetts i medföljande dokument har fått i laboratorieförhållanden enligt relevanta standard. Dessa värden varierar enligt apparatens användning och yttre förhållanden. Ström värden har testats i 230 V.



## 3 Installation och anslutning

### 3.1 Installationsinstruktioner

- Följ de speciella installationsinstruktionerna.
- Apparaten kan installeras i en 60 cm bred, väggförsedd skåp.
- Apparaten är utrustad med stickkontakt och ska anslutas enbart i jordad vägguttag.
- Strömförsörjningen måste vara i enlighet med i typskylten förevisad spänning.
- Stickproppen får installeras och strömkabeln bytas enbart av kvalificerad elektriker. Om man inte kommer åt stickkontakten efter installationen, måste en frånkopplingsenhet finnas på installationssidan, med minst 3 mm kontaktavstånd.



**WARNING:** Adapters, grenuttag eller förlängningssladd får ej användas. Överbelastning kan leda till brandfara.

### 3.2 Elanslutning

- Apparaten är utrustad med stickkontakt och ska anslutas enbart i jordad vägguttag.
- Endast en kvalificerad elektriker får installera stickkontakten eller byta strömkabeln i enlighet med gällande regler.
- Om man inte kommer åt stickkontakten efter installationen, måste en frånkopplingsenhet finnas på installationssidan, med minst 3 mm kontaktavstånd.
- Kontaktskydd måste tillhandahållas av installationen.

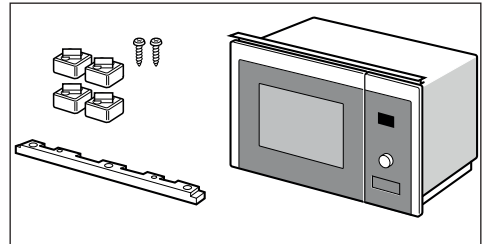
### 3.3 Apparat i vägghängd enhet

Installationsskåpet får inte ha bakpanel bakom apparaten.

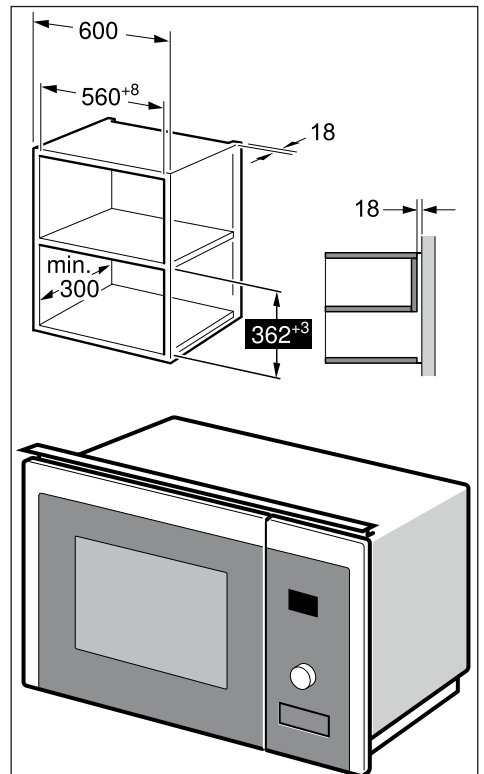
Minimiinstallationshöjd: 850 mm.

Ventilationsöppningar får inte täckas.

Delar:



#### Apparat i vägghängd enhet



## 3 Installation och anslutning

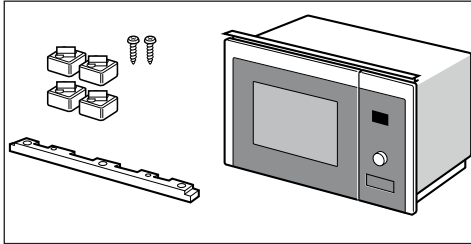
### 3.4 Apparat i en hög enhet

Installationsskåpet får inte ha bakpanel bakom apparaten.

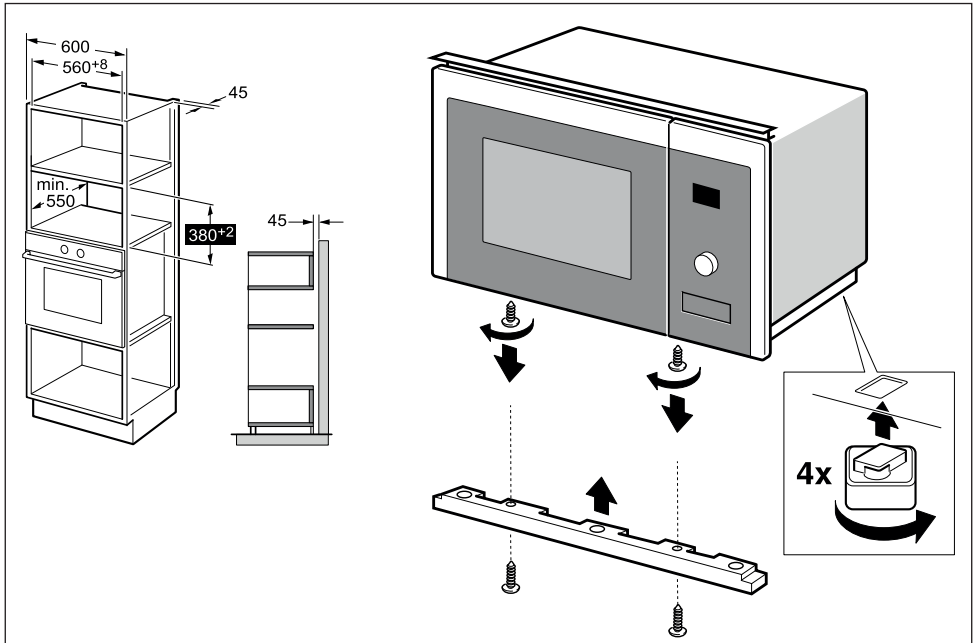
Minimiinstallationshöjd: 850 mm.

Ventilationsöppningar får inte täckas.

#### Delar:



Apparat i en hög enhet

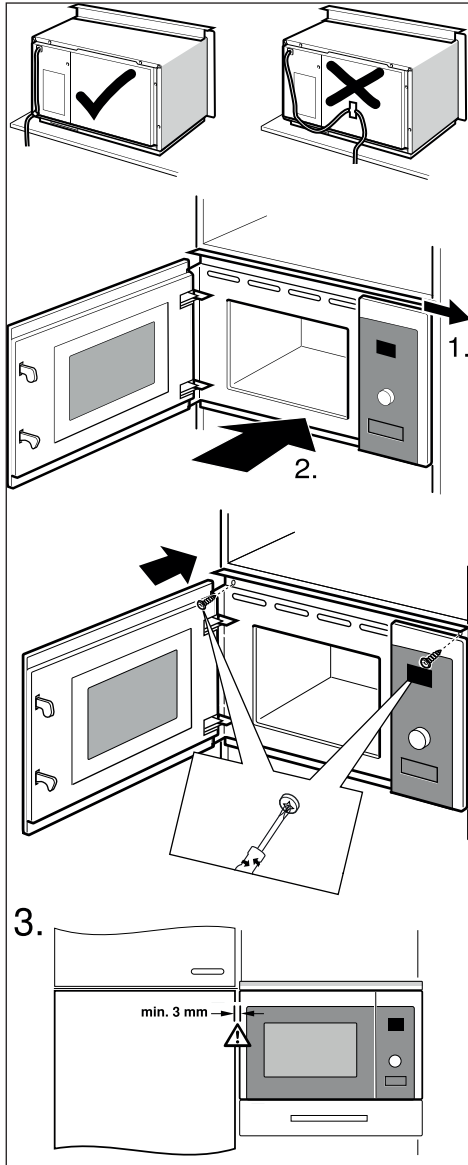


## 3 Installation och anslutning

### 3.5 Installation av ugnen

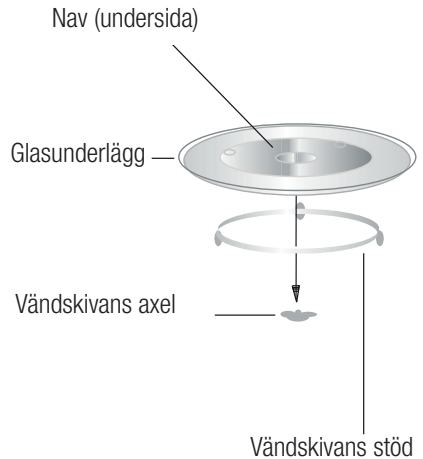


**WARNING:** Strömkabeln får inte klämmas eller böjas.



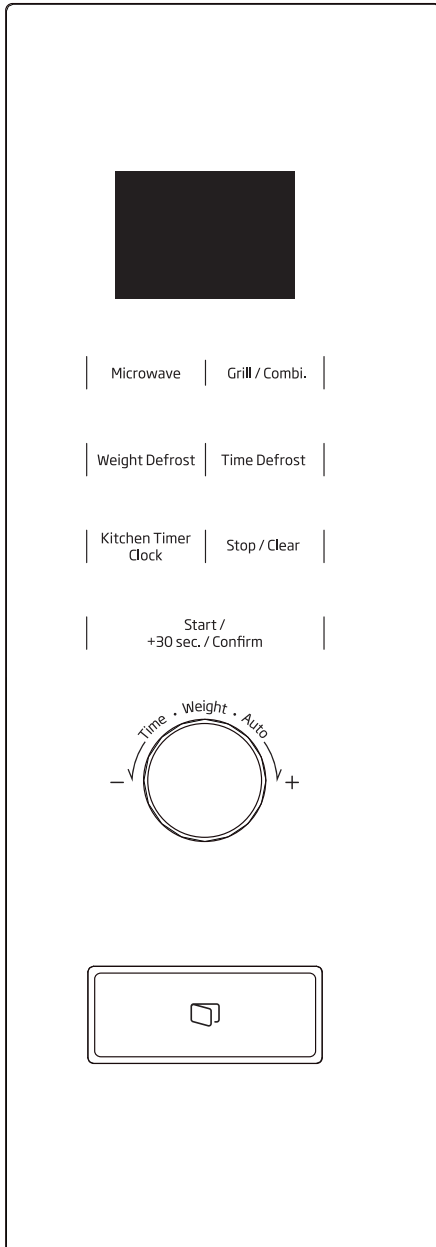
### 3.6 Installation av vändskiva

- Placera aldrig glasunderlägget upp och ner. Glasunderlägget får aldrig vara förhindrad.
- Både glasunderlägget och vändskivans stöd måste användas under matlagningen.
- All mat och alla matbehållare måste placeras på glasunderlägget.
- Om glasunderlägget eller vändskivans stöd spricker eller skadas, kontakta närmaste auktoriserad servicecenter.



## 4 Användning

### 4.1 Kontrollpanel



### 4.2 Inställning av klockan

När mikrovågsugnen ansluts till elförsörjningen, visar ugnen "0:00" och summern hörs en gång. Ugnen övergår till vänteläge.

1. Tryck "Kitchen Timer/Clock" två gånger och numren för timmar börjar blinka.
2. Vrid "Time / Weight / Auto" för att justera timmar; värdet ska vara mellan 0 och 23.
3. Tryck "Kitchen Timer/Clock" och numren för minuter börjar blinka.
4. Vrid "Time / Weight / Auto" för att justera minuter; värdet ska vara mellan 0 och 59.
5. Tryck "Kitchen Timer/Clock" för att avsluta tidsinställningen. ":" symbolen blinkar, och tiden visas.



Om klockan inte ställs in, fungerar den inte, när strömmen kopplas på.

### 4.3 Matlagning med mikrovågor

1. Tryck på "Microwave" knappen en gång och "P100" visas.
2. Tryck på "Microwave" igen eller vrid "Time / Weight / Auto" för att välja önskad effekt. Varje gång knappen trycks in, "P100", "P80", "P50", "P30" eller "P10" visas i turordning.
3. Tryck på "Start/+30 Sec./Confirm" för att bekräfta effekt.
4. Vrid "Time / Weight / Auto" för att ställa in kokningstid mellan 0:05 och 95:00.
5. Börja kokningen genom att trycka på "Start/+30 Sec./Confirm" igen.
6. Tiden på skärmen börjar räkna ner.
7. Ett ljud hörs, när processen är färdig.

## 4 Användning

Stegen för justering av tiden med kodknapparna har beskrivits nedan:

Inställning av tid	Ökningsmängd
0-1 minuter	5 sekunder
1-5 minuter	10 sekunder
5-10 minuter	30 sekunder
10-30 minuter	1 minut
30-95 minuter	5 minuter

### Mikrovågseffekttablå

Mikro-vågseffekt	Hög	Med. hög	Med.	Med. Låg	Låg
Skärm	P100	P80	P50	P30	P10

### 4.4 Grill eller kombi. matlagning

1. Tryck på "Grill/Combi." en gång, "G" visas på skärmen.
2. Tryck upprepade gånger eller vrid "Time / Weight / Auto" för att välja önskad effekt och "G", "C-1" eller "C-2" visas.
3. Tryck på "Start/+30 Sec./Confirm" för att bekräfta effekt.
4. Vrid på "Time / Weight / Auto" för att ställa in kokningstid. (Maximal kokningstid är 95 minuter.
5. Börja kokningen genom att trycka på "Start/+30 Sec./Confirm" igen.
6. Tiden på skärmen börjar räkna ner.
7. Ett ljud hörs, när processen är färdig.

### Kombinationseffekt instruktioner

Program	Skärm	Mikrovågseffekt	Grilleffekt
Grill	G	0%	100%
Combi.1	C-1	55%	45%
Combi.2	C-2	36%	64%



Om halva grillningstiden har passerat, hörs två signaler, detta är normalt. För att förbättra effekten av grillningen, bör maten vändas, luckan stängas och tryck sedan på "Start/+30 Sec./Confirm" för att fortsätta matlagningen. Om inget görs, fortsätter ugnen sin funktion.

### 4.5 Tina enligt vikt

1. Tryck på "Weight Defrost" en gång, "dEF1" visas på skärmen.
2. Vrid på "Time / Weight / Auto" för att välja matens vikt. Viktintervallet är 100-2000 g.
3. Börja tiningen genom att trycka på "Start/+30 Sec./Confirm".
4. Tiden på skärmen börjar räkna ner.
5. Ett ljud hörs, när processen är färdig.



Om halva tiningstiden har passerat, hörs två signaler, detta är normalt. För att förbättra effekten av tiningen, bör maten vändas, luckan stängas och tryck sedan på "Start/+30 Sec./Confirm" för att fortsätta matlagningen. Om inget görs, fortsätter ugnen sin funktion.

### 4.6 Tina enligt tid

1. Tryck på "Time Defrost" en gång, "dEF2" visas på skärmen.
2. Vrid på "Time / Weight / Auto" för att ställa in kokningstid. Max. tiden är 95 minuter.

## 4 Användning

3. Börja tiningen genom att trycka på "Start/+30 Sec./Confirm".
4. Tiden på skärmen börjar räkna ner.
5. Ett ljud hörs, när processen är färdig.



Om halva tiningstiden har passerat, hörs två signaler, detta är normalt. För att förbättra effekten av tiningen, bör maten vändas, luckan stängas och tryck sedan på "Start/+30 Sec./Confirm" för att fortsätta matlagningen. Om inget görs, fortsätter ugnen sin funktion.

### 4.7 Kokning i flera steg

Högst 2 steg kan ställas in. Om en steg är tining, ska den ställas in som första steg automatiskt. Summern ringer två gånger efter varje steg och nästa steg börjar.



Automatmeny och snabbkokning kan inte väljas i flerstegsläge.

**Exempel:** Om du vill tina maten i 5 minuter, och sedan koka med 80 % mikrovågseffekt i 7 minuter.

#### Stegen är följande:

1. Tryck på "Time Defrost" en gång, "dEF2" visas på skärmen.
2. Vrid på "Time / Weight / Auto" för att ställa in 5 minuters tiningstid.
3. Tryck på "Microwave" en gång, "P100" visas på skärmen.
4. Tryck på "Microwave" upprepat, för att välja mikrovågseffekt "P80"
5. Tryck på "Start/+30 Sec./Confirm" för att bekräfta.
6. Vrid på "Time / Weight / Auto" för att ställa in 7 minuters kokningstid.
7. Börja kokningen genom att trycka på "Start/+30 Sec./Confirm".

8. Ett ljud hörs, när processen är färdig.

### 4.8 Kökstimer

1. Tryck på "Kitchen Timer/Clock" en gång, "00:00" visas på skärmen.
2. Vrid på "Time / Weight / Auto" för att ställa in önskad timer. (Maximal kokningstid är 95 minuter.
3. Tryck på "Start/+30 Sec./Confirm" för att bekräfta.
4. Tiden på skärmen börjar räkna ner.
5. Ett ljud hörs, när processen är färdig.

### 4.9 Automatmeny

1. Vrid i vänteläge "Time / Weight / Auto" åt höger för att välja meny. På skärmen visas "A 1".
2. Vrid "Time / Weight / Auto" för att välja önskad meny, "A 1" - "A 8" visas.
3. Tryck på "Start/+30 Sec./Confirm" för att bekräfta menyn.
4. Vrid på "Time / Weight / Auto" för att välja matens vikt.
5. Börja kokningen genom att trycka på "Start/+30 Sec./Confirm" igen.
6. Tiden på skärmen börjar räkna ner.
7. Ett ljud hörs, när processen är färdig.

## 4 Användning

### Menytablå:

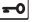
Meny	Vikt	Effekt
A 1 - Pizza	200 g	100% (Mik.)
	400 g	
A 2 - Kött	250 g	100% (Mik.)
	350 g	
	450 g	
A 3 - Grönsaker	200 g	100% (Mik.)
	300 g	
	400 g	
A 4 - Pasta	50 g (med 450 g kallt vatten)	80 % (Mik.)
	100 g (med 800 g kallt vatten)	
A 5 - Potatis	200 g	100% (Mik.)
	400 g	
	600 g	
A 6 - Fisk	250 g	80 % (Mik.)
	350 g	
	450 g	
A 7 - Drycker	1 kopp (ca. 120 ml)	100% (Mik.)
	2 koppar (ca. 240 ml)	
	3 koppar (ca. 360 ml)	
A 8 - Popcorn	50 g	100% (Mik.)
	100 g	

### 4.10 Snabbkokning

1. Tryck i vänteläge på "Start/+30 Sec./Confirm" knappen för att koka med 100 % effektnivå i 30 sekunder. Varje tryckning ökar tiden med 30 sekunder. Maximal kokningstid är 95 minuter.
2. I mikrovåg, grill, kombinationskokning och tining enligt tid processer, tryck på "Start/+30 Sec./Confirm" för att förlänga kokningstiden.
3. I automatmeny och tining enligt vikt lägen kan kokningstiden inte förlängas genom att trycka på "Start/+30 Sec./Confirm".

4. Vrid i vänteläge "Time / Weight / Auto" åt vänster för att välja kokningstid. När kokningstiden har valts, tryck på "Start/+30 sek./Bekräfta" för att starta mikrovågskokning med 100 % effektnivå.

### 4.11 Barnlåsfunktionen

**Lås:** Tryck in vänteläge på "STOP/Clear" i 3 sekunder för att aktivera barnlåset och nuvarande tid visas, om tiden har ställts in, annars visas " ".

**Öppning:** Tryck i låst läge på "STOP/Clear" i 3 sekunder för att öppna låset.

### 4.12 Kontrollfunktion

1. i kokningslägen mikrovåg, grill eller kombination. Tryck på "Microwave" eller "Grill/Combi.", nuvarande effekt visas i 3 sekunder.
2. Om klockan har ställts in, tryck i kokningsläge på "Kök timerklocka" för att se nuvarande tid. Den visas i 3 sekunder.

### 4.13 Specifikationer

1. Om luckan öppnas under kokningen, stäng luckan och tryck på "Start/+30 Sec./Confirm" för att fortsätta kokningen.
2. När kokningsprogrammet har ställts in, "Start/+30 Sec./Confirm" trycks inte in under 1 minut. Nuvarande tid visas. Inställningen tas då bort.
3. Summern ljuder en gång, om den trycks in ordentligt, annars har den ingen effekt.

## 5 Kokningstips

Följande faktorer kan påverka kokningsresultatet:

### Placering av maten

Placera tjockare områden i utkanten av tallriken, tunnare delar mot mitten och fördela dem jämnt. Sätt inte dem på varandra om möjligt.

### Koktidens längd

Börja kokningen med kort tidsinställning, bedöm den efter att tiden slutar och förläng den enligt behov. Överkokning kan leda till rökbildning och vidbränning.

### Kokning av maten jämnt

Mat som kyckling, hamburgare eller stek ska vändas en gång under tillagningen.

Beroende på mattyp, rör om från utsidan mot mitten ett par gånger under tillagningen.

### Låt stå ett tag

När tillagningstiden slutar, låt maten stå i ugnen tillräckligt länge, detta möjliggör komplett kokningscykel och den kan svalna gradvis.

### Är maten färdig

Matens färg och hårdhet hjälper med att bestämma om den är klar, i dessa ingår:

- Ånga kommer från matens alla delar, inte bara kanten.
- Fjäderfäns ben kan tas lätt bort
- Inga tecken på blod i fläsk- eller fågelkött
- Fisken är genomskinlig och kan delas med gaffel

### Att bryna maten

När maten bryns eller självvärmade behållare används, placera alltid värmetålig isolering, som porslinsallrik, under den för att undvika skada vändskivan och rotationsringen.

### Mikrovågstålig plastfolie

När mat med hög fetthalt tillagas, låt inte plastfolien komma i kontakt med maten, då den kan smälta.

### Mikrovågstålig plastkockärl

En del av plastkockkärl är kanske inte lämpade för tillagning av mat med hög fett- och sockerhalt. I matens bruksanvisning specificerade förvärmningstid får inte överskridas.

## 6 Redskapsinstruktioner

### 6.1 Material som kan användas i mikrovågsugn eller som bör undvikas



Fara för personskada, om annan än en kompetent person utför reparationer eller underhåll, som innehåller borttagning av höljen, som skyddar mot exponering till mikrovågsenergi.

Se instruktioner o sektionen "Material som kan användas i mikrovågsugn eller som bör undvikas". Det finns några ej-metalliska köksredskap, som inte är säkra att använda i mikrovågsugn. Om du är osäker, kan du testa köksredskapet i fråga på följande sätt.

#### Test av köksredskap:

1. Fyll en mikrovågssäker behållare med 1 kopp kallt vatten (250 ml) tillsammans med köksredskapet i fråga.
2. Tillaga på max. effekt i 1 minut.
3. Känn på köksredskapet försiktigt. Om det tomma köksredskapet är varmt, använd inte den i mikrovågsugn.
4. Tillaga inte längre än 1 minut.



## 6 Redskapsinstruktioner

<b>Material som kan användas i mikrovågsugn</b>	
<b>Köksredskap</b>	<b>Anmärkningar</b>
Aluminiumfolie	Bara som övertäckning. Små släta bitar kan användas till att dölja kött- eller fågelstycken, för att undvika överkokning. Gnistor kan uppstå, om folien är för nära ugnens väggar. Folien bör vara på minst 2,5 cm avstånd från ugnens väggar.
Att bryna maten	Följ tillverkarens instruktioner. Botten av maten som bryns ska vara minst 5 mm ovanför vändskivan. Felaktig användning kan skada vändskivan.
Bordsservis	Bara mikrovågssäker. Följ tillverkarens instruktioner. Använd inte spruckna eller kantstötta tallrikar.
Glasburk	Ta alltid bort locket. Värm bara tills maten är varm. De flesta burkar är inte värmetåliga och kan spricka.
Glasvaror	Bara värmetåliga ugnsglasskålar. Se till att det inte finns metallkanter. Använd inte spruckna eller kantstötta tallrikar.
Ugnspåsar	Följ tillverkarens instruktioner. Stäng inte med metalband. Gör skårar för att ångan kan komma ut.
Papperstallrikar och koppar	Använd bara för kortvarig kokning/värmning. Lämna inte ugnen utan övervakning.
Pappershanddukar	Använd till att skydda maten för överkokning och hindra från att suga in fett. Använd under övervakning och bara kortvarig kokning.
Bakplåtspapper	Använd till att hindra stänk eller omslag vid ångkokning.
Plast	Bara mikrovågssäker. Följ tillverkarens instruktioner. Bör vara märkt "Mikrovågssäker". Vissa plastbehållare mjuknar när maten i dem blir het. Hål ska göras i "kokning-spåsar" och förslutna plastpåsar, enligt instruktionerna i paketet.
Plastfolie	Bara mikrovågssäker. Använd till att täcka maten under kokning för att bevara fuktigheten. Låt inte plastfolien beröra maten.
Termometrar	Bara mikrovågssäker (kött och sockertermometer).
Vaxpapper	Använd till att hindra stänk och bevara fuktigheten.
<b>Material som bör undvikas i mikrovågsugn</b>	
Aluminiumfat	Kan orsaka gnistor. Flytta maten till mikrovågssäker fat.
Matlåda med metallhandtag	Kan orsaka gnistor. Flytta maten till mikrovågssäker fat.
Fat av metall eller metallkanter	Metall avskärmar maten från mikrovågsenergi. Metallkanter kan orsaka gnistor.
Metalband	Kan orsaka gnistor och brand i ugnen.
Papperspåsar	Kan orsaka brand i ugnen.
Plastskum	Plastskum kan smälta eller kontaminera vätskan på insidan, när den exponeras till höga temperaturer.
Trä	Träet torkar när den används i mikrovågsugn och kan spricka eller splittras.

# 7 Rengöring och underhåll

## 7.1 Rengöring



**WARNING:** Använd aldrig bensin, lösningsmedel, frätande rengöringsmedel, metallföremål eller hårda borstar till rengöring av enheten.



**WARNING:** Sänk inte apparaten eller strömkabeln i vatten eller andra vätskor.

1. Stäng av och koppla apparaten ur strömkällan.
2. Vänta tills den har svalnat helt.
3. Håll ugnens insida ren. Torka med fuktig trasa, när matstänk eller vätskor har fastnat i apparatens väggar. Mild rengöringsmedel kan användas, om apparaten är riktigt smutsig. Undvik att använda sprayer eller andra frätande rengöringsmedel, då de kan orsaka fläckar, märken eller göra luckytan oklar.
4. Apparaten yttre ytor ska rengöras med fuktig trasa. Låt inte vatten komma in genom ventilationsöppningarna för att undvika skador på apparatens delar.
5. Torka luckan och glaset från båda sidor, luckans tätning och delar nära tätningen regelbundet med en fuktig trasa för att ta bort översvämmad eller stänkt mat. Använd inte frätande produkter.
6. Låt inte kontrollpanelen bli blöt. Rengör med mjuk, fuktig trasa. Låt luckan vara öppen för att undvika oavsiktlig användning, när kontrollpanelen rengörs.
7. Om dimma bildas inne eller runt apparaten, torka bort det med mjuk trasa. Detta kan ske, när mikrovågsugnen används i hög fuktighet. Det är normalt.
8. I vissa fall kan glasunderlägget tas bort för rengöring. Tvätta med varm tvålatten eller i diskmaskin.

9. Rullringen och apparatens golv ska rengöras regelbundet för att undvika oljud.
10. Nedre ytan kan torkas av med mild tvättmedel. Rullringen kan tvättas med varm tvålatten eller i diskmaskin. När rullringen tas bort från maskinens nedre del för rengöring, se till, att den installeras igen i rätt position.
11. För att undvika dålig lukt i apparaten, lägg ett glas med vatten eller juice och citronskiva i en djup skål, som är lämplig för mikrovågsugn, och använd apparaten i 5 minuter i mikrovågsläge. Torka av med mjuk trasa.
12. Kontakta auktoriserad service, om apparatens lampa måste bytas.
13. Apparaten ska rengöras regelbundet och matrester avlägsnas. Om apparaten inte hålls ren, kan det orsaka ytskador, som påverkar apparatens livslängd och kan leda till fara.
14. Släng inte apparater i hushållsavfallet, den gamla apparaten ska kasseras i speciella återvinningsstationer.
15. När apparaten används i grillläge, liten mängd rök eller lukt kan uppstå och som försvinner efter ett tag.

## 7.2 Förvaring

- Om apparaten inte används på länge, förvara den försiktigt.
- Se till, att apparaten har kopplats ur, har svalnat och är helt torr.
- Förvara apparaten på en kall och torr plats.
- Förvara apparaten oåtkomlig för barn.

## 7.3 Hantering och transport

- Bär apparaten i originalpackning under hantering och transport.
- Apparaten packning skyddar den mot fysiska skador.
- Placera inga tunga föremål på apparaten eller paketet. Apparaten kan skadas.

## 8 Felsökning

Normal	
Mikrovågsugnen stör TV-mottagningen	Radio- och TV-sändningar kan störas när mikrovågsugnen används. Det liknar störningar orsakade av små elapparater, som mixer, dammsugare eller elfläkt. Detta är normalt.
Ugnslampan är matt	Ugnslampan kan mattas under mikrovågskokning med låg effekt. Detta är normalt.
Ånga samlas på luckan, het luft kommer ut ventilationsöppningarna.	Ånga kan uppstå från maten under tillagning. Det mesta av denna ånga kommer ut ur ventilationsöppningarna. Men en del av denna kan samlas på en sval plats, som ugnsluckan. Detta är normalt.
Ugnen startas oavsiktligt utan mat i den.	Apparaten får inte användas, om det inte finns mat i den. Detta är ytterst farligt.

Problem	Möjliga orsaker	Lösning
Ugnen kan inte startas.	1) Strömkabeln är inte ansluten rätt.	Koppla ur. Anslut igen efter 10 sekunder.
	2) Säkring brunnit eller strömbrytare aktiverad.	Byt säkring eller strömbrytare (utförs av vårt företag auktoriserad personal).
	3) Problem med uttaget.	Testa uttaget med en annan elapparat.
Ugnen värmer inte.	4) Luckan har inte stängts ordentligt.	Stäng luckan ordentligt.

## Les denne bruksanvisningen først!

Kjære kunde,

Takk for at du kjøpte et Beko-produkt. Vi håper at du får de beste resultatene fra produktet ditt som er produsert med høy kvalitet og avansert teknologi. Les derfor hele brukerhåndboken og alle andre tilhørende dokumenter nøye før du bruker produktet og oppbevar den som en referanse for fremtidig bruk. Hvis du overfører dette produktet til en annen, må du også gi dem bruksanvisningen. Følg alle advarsler og informasjon i bruksanvisningen.

### Betydning av symbolene

Følgende symboler brukes i de forskjellige delene av denne brukerhåndboken:



Viktig informasjon og nyttige tips om bruk.



Advarsler for farlige situasjoner angående sikkerhet og eiendom.



Advarsel mot varme overflater.



Advarsel mot elektrisk støt.



Advarsel for brannfare.



Dette produktet er produsert i miljøvennlige moderne fabrikker uten å skade naturen.

# 1 Viktige sikkerhets- og miljø instruksjer

## Viktige sikkerhetsinstruksjoner Les nøye og oppbevar for fremtidig henvisning

### 1.1 Sikkerhetsadvarsler

Dette avsnittet inneholder sikkerhetsinstruksjoner som vil hjelpe å beskytte mot brannfare, elektrisk støte, eksponering mot lekkende mikrobølgeenergi, personskader eller materielle skader. Unnlattelse av å følge disse instruksjonene vil ugyldiggjøre garantien.

- Mikrobølgeovner fra Beko oppfyller gjeldende sikkerhetsstandarder. Ved skade på apparatet eller strømkabelen bør det derfor repareres eller skiftes ut av forhandleren, servicesenteret eller en/et spesialist og autorisert serviceverksted for å unngå fare. Mangelfullt eller ikke-kvalifisert reparasjonsarbeid kan være farlig og føre til risiko for brukeren.
- Dette apparatet er ment å brukes i husholdningen og lignende bruksområder slik som:
  - Kjøkkenområder med personell i butikker, kontorer og andre arbeidsmiljøer;
  - Gårdshus
  - Av kunder i hoteller og andre boligmiljøer;
  - Overnattingssteder med frokost.
- Det er ikke beregnet for industriell eller laboratoriebruk.
- Ikke prøv å starte ovnen når døren er åpen. Ellers kan du bli utsatt for skadelig mikrobølgeenergi. Sikkerhetslåser skal ikke deaktiveres eller tukles med.
- Mikrobølgeovnen er beregnet på oppvarming av mat og drikke. Tørking av mat eller klær og oppvarming av varmeputer, tøfler, svamper, fuktig klut og lignende kan føre til fare for personskade, antennelse eller brann.
- Ikke plasser gjenstander mellom frontsiden og ovnsdøren. Ikke la rester av smuss eller rengjøringsmiddel bygge seg opp på lukkeflatene.
- Alt servicearbeid som involverer fjerning dekselet som gir beskyttelse mot eksponering for mikrobølgeenergi, må utføres av autoriserte personer/verksteder. Enhver annen tilnærming er farlig.

# 1 Viktige sikkerhets- og miljø instruksjer

- Produktet ditt er beregnet på matlaging, oppvarming og tining av mat hjemme. Det må ikke brukes til kommersielle formål.
- Ovnens din er ikke designet for å tørke noe levende vesen.
- Ikke bruk apparatet til å tørke klær eller kjøkkenhåndklær.
- Ikke bruk apparatet utendørs, i bad, fuktige miljøer eller på steder der det kan bli vått.
- Det skal ikke påtas noe ansvar eller garantikrav for skader som oppstår som følge av feil bruk eller feil håndtering av apparatet.
- Forsøk aldri å demontere apparatet. Ingen garantikrav godtas for skader forårsaket av feil håndtering.
- Bruk bare originale deler eller deler anbefalt av produsenten.
- Ikke la dette apparatet være uten tilsyn mens det er i bruk.
- Bruk alltid apparatet på en stabil, flat, ren, tørr og sklisikker overflate.
- Apparatet skal ikke betjenes med et eksternt klokkeur eller separat fjernkontrollsystem.
- Før du bruker apparatet for første gang, må du rengjøre alle delene. Se detaljene gitt i "Rengjøring og vedlikehold"-delen.
- Bruk apparatet til det tiltenkte formål kun som beskrevet i denne håndboken.
- Apparatet blir veldig varmt mens det er i bruk. Vær oppmerksom på ikke å berøre de varme delene inne i ovnen.
- Ikke bruk ovnen tom.
- Kokekar kan bli varme på grunn av varmen som overføres fra den oppvarmede maten til redskapet. Du trenger kanskje ovnhansker for å holde redskapet.
- Kjøkkenutstyr skal kontrolleres for å sikre at de er egnet for bruk i mikrobølgeovner.
- Ikke plasser ovnen på komfyrer eller andre varmegenererende apparater. Ellers kan den bli skadet og garantien ugyldig.
- Damp kan komme ut mens du åpner dekslene eller folien etter tilberedning av maten.
- Apparatet og dets tilgjengelige overflater kan være veldig varme når apparatet er i bruk.

# 1 Viktige sikkerhets- og miljø instruksjoner

- Dør og ytterglass kan være veldig varme når apparatet er i bruk.
- Forsikre deg om at strømforsyningen din er i samsvar med informasjonen som er gitt på apparatets typeskilt.
- Den eneste måten å koble apparatet fra strømforsyningen på er å fjerne strømpluggen fra stikkontakten.
- Bruk bare apparatet med en jordet stikkontakt.
- Bruk aldri apparatet hvis strømkabelen eller selve apparatet er skadet.
- Ikke bruk dette apparatet med en skjøteledning.
- Ikke berør apparatet eller støpselet med fuktige eller våte hender.
- Plasser apparatet slik at støpselet alltid er tilgjengelig.
- Unngå skade på strømkabelen ved ikke å klemme, bøye eller gni den på skarpe kanter. Hold strømkabelen borte fra varme overflater og åpen ild.
- Forsikre deg om at det ikke er fare for at strømkabelen kan trekkes ved et uhell eller at noen kan snuble over den når apparatet er i bruk.
- Koble fra apparatet før hver rengjøring og når apparatet ikke er i bruk.
- Ikke trekk i strømkabelen til apparatet for å koble den fra strømforsyningen, og vikle aldri strømkabelen rundt enheten.
- Ikke senk apparatet, strømkabelen eller støpselet i vann eller andre væsker. Ikke hold den under rennende vann.
- Når du varmer opp mat i plast- eller papirbeholdere, må du holde øye med ovnen på grunn av antennelsesmulighet.
- Fjern trådstrengene og/eller metallhåndtakene til papir- eller plastposer før du legger poser i ovnen.
- Hvis røyk blir observert, må du slå av eller koble fra apparatet hvis det er trygt å gjøre det, og holde døren lukket for å kvele eventuelle flammer.
- Ikke bruk mikrobølgeovn til oppbevaring. Ikke la papirvarer, kokemateriell eller mat være i ovnen når den ikke brukes.
- Innholdet i mateflasker og baby-matkrukker bør røres eller ristes, og temperaturen kontrolleres før bruk, for å unngå brannskader.

# 1 Viktige sikkerhets- og miljø instruksjoner

- Dette apparatet er et gruppe 2 ISM-utstyr. Gruppe 2 inneholder alt ISM-utstyr (industrielt, vitenskapelig og medisinsk) der radiofrekvensenergi med bevisst blir generert og/eller brukt i form av elektromagnetisk stråling for behandling av materiale, og gnis-terosjonsutstyr.
  - Utstyr av klasse B er egnet for bruk i hjemlige virksomheter og virksomheter som er direkte koblet til et lavspenningsforsyningsnett.
  - Ikke bruk matolje i ovnen. Varm olje kan skade ovnens komponenter og materialer, og det kan til og med forårsake brannskader.
  - Stikk hull mat med tykk skorpe slik som poteter, courgetter, epler og kastanjer.
  - Apparatet må plasseres slik at baksiden vender mot veggen.
  - Før du flytter apparatet, må du feste dreieskiven for å forhindre skade.
  - Egg i skall og hele hardkokte egg må ikke varmes opp i mikrobølgeovner siden de kan eksplodere, selv etter at mikrobølgeoppvarming er avsluttet.
- ADVARSEL:** Hvis dør- eller dørpakningene er skadet, må ikke ovnen brukes før den er reparert av en kompetent person.
- ADVARSEL:** Det er farlig for andre enn en kompetent person å utføre service- eller reparasjonsoperasjoner som innebærer fjerning av et deksel som gir beskyttelse mot eksponering for mikrobølgeenergi.
- ADVARSEL:** Væsker og andre matvarer må ikke varmes opp i forseglede beholdere, siden de kan eksplodere.
- Ovnens skal rengjøres regelmessig og eventuelle matavleiringer fjernes.
  - Det skal være min 20 cm ledig plass over ovnens toppflate.
  - Ikke overstek mat; det kan forårsake brann.
  - Ikke bruk kjemikaliser eller dampassisterte rensere til å rengjøre apparatet.
  - Ekstrem forsiktighet anbefales når det brukes i nærheten av barn og personer med begrensede fysiske, sensoriske eller mentale evner.



# 1 Viktige sikkerhets- og miljø instruksjoner

- Dette apparatet kan brukes av barn som er over 8 år og av personer som har begrenset fysisk, sensorisk eller mental kapasitet eller som ikke har kunnskap og erfaring, så lenge de blir overvåket med hensyn til sikker bruk av produktet, eller de blir instruert følgelig eller forstår risikoen ved bruk av produktet. Barn skal ikke leke med produktet. Rengjørings- og vedlikeholdsprosedyrer skal ikke utføres av barn med mindre de overvåkes av sine foreldre.
- **Fare for kvelning!** Hold alt emballasjemateriale unna barn.
- På grunn av overdreven varme som oppstår i grill- og kombinasjonsmoduser, bør barn bare få lov til å bruke disse modusene under tilsyn av en voksen.
- Hold produktet og strømkabelen utilgjengelige for barn under 8 år.
- Ikke stek mat direkte på glassbrettet. Sett maten i/på passende kjøkkenutstyr før du legger den i ovnen.
- Metalliske beholdere for mat og drikke er ikke tillatt under steking i mikrobølgeovn. Ellers kan gnister oppstå.
- Mikrobølgeovn må ikke plasseres i et skap som ikke overholder installasjonsinstruksjonene.
- Mikrobølgeovn er kun beregnet for innebygd bruk.
- Hvis innebygde apparater brukes like eller høyere enn 900 mm over gulvet, må du passe på ikke å forskyve dreieskiven når du fjerner beholdere fra apparatet.
- Hvis det innebygde produktet er i et skap med en dør, må produktet betjenes med skapdøren åpen.

## 1.2 Samsvar med WEEE-direktivet og Deponering av avfallsproduktet:

Dette produktet er i samsvar med EU-direktivet som omhandler elektronisk og elektrisk utstyr (2012/19/EU). Dette produktet har et klassifiseringsymbol for sortering av avfall elektrisk og elektronisk utstyr (WEEE).



Dette symbolet indikerer at dette produktet ikke skal kastes med annet husholdningsavfall ved slutten av levetiden. Brukt enhet må returneres til offisielt innsamlingssted for gjenvinning av elektriske og elektroniske enheter. For å finne disse innsamlingsstedene, vennligst kontakt din lokale myndighet eller forhandler der produktet ble kjøpt.

# 1 Viktige sikkerhets- og miljø instruksjer

Hver husholdning utfører en viktig rolle i gjenvinning og gjenvinning av gammelt apparat. Passende avhending av brukt apparat bidrar til å forhindre potensielle negative konsekvenser for miljøet og menneskers helse.

## 1.3 Samsvar med RoHS-direktivet:

Produktet du har kjøpt er i samsvar med EU-RoHS-direktivet (2011/65/EU). Det inneholder ingen farlige eller forbudte substanser som er angitt i direktivet.

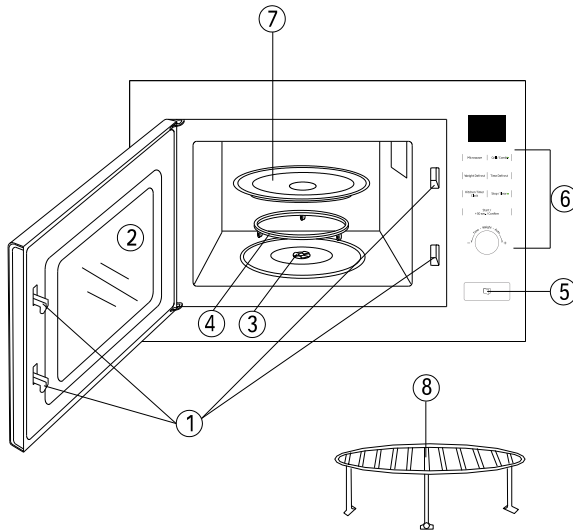
## 1.4 Pakningsinformasjon



Produktpakningen er laget av gjenvinnbare materialer i samsvar med våre nasjonale miljøforskrifter. Ikke kast emballasjen sammen med husholdningsavfall eller annet avfall. Ta dem med til miljøstasjoner som er opprettet av lokale offentlige myndigheter.

## 2 Mikrobølgeovnen din

### 2.1 Oversikt



1. Låsesystem til dikring av dør
2. Ovnvindu
3. Dreieskiveskaft
4. Dreieskivestøtte
5. Døråpningsknapp
6. Kontrollpanel
  - Mikrobølgeovn
  - Vekt/Kombi.
  - Tining etter vekt
  - Tining etter tid
  - Kjøkkenur
  - Stopp/Tøm
  - Start / + 30 sek. / Bekreft
  - Tid / vekt / auto (trykk ut-knappen)
7. Glassbrett
8. Grillstativ (Kan ikke brukes i mikrobølgefunksjon og må plasseres på glassbrettet)

### 2.2. Tekniske data

<b>Strømforbruk</b>	230 V ~ 50 Hz, 1270 W (mikrobølgeovn) 1000 W (grill)
<b>Produksjon</b>	800 W
<b>Driftsfrekvens</b>	2450 MHz
<b>Utvendige dimensjoner (Hx Bx D) mm</b>	387x594x333
<b>Ovnkapasitet</b>	20 litre
<b>Nettvekt</b>	16.5 kg
<b>Farge</b>	Svart

Tekniske rettigheter og designendringsrettigheter er forbeholdt.

Merkinger på apparatet eller verdiene som er angitt i andre dokumenter levert med produktet er verdier oppnådd under laboratorieforhold i henhold til relevante standarder. Disse verdiene kan variere avhengig av bruken av apparatet og omgivelsesforholdene. Effekter verdier testes ved 230 V.

## 3 Montering og tilkobling

### 3.1 Monteringsinstruksjon

- Følg de spesielle installasjonsinstruksjonene.
- Apparatet kan installeres i et 60 cm bredt veggmontert skap.
- Apparatet er utstyrt med et støpsel og må kun kobles til en korrekt installert jordet stikkontakt.
- Netspenningen må tilsvare spenningen som er angitt på typeskiltet.
- Stikkontakten må installeres og tilkoblingsledningen må bare skiftes ut av en kvalifisert elektriker. Hvis pluggen ikke lenger er tilgjengelig etter installasjonen, må en helpolet frakoblingsenhet være til stede på installasjonssiden med et kontakthull på minst 3 mm.



**ADVARSEL:** Adaptere, flerveislister og skjøteledninger må ikke brukes. Overbelastning kan føre til brannfare.

### 3.2 Elektrisk tilkobling

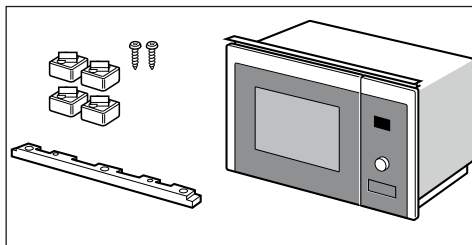
- Apparatet er utstyrt med et støpsel og må kun kobles til en korrekt installert jordet stikkontakt.
- Bare en kvalifisert elektriker som tar hensyn til passende forskrifter kan installere kontakten eller skifte ut tilkoblingsledningen.
- Hvis støpselet ikke lenger er tilgjengelig etter installasjon, må en helpolet isoleringsbryter være til stede på installasjonssiden med et kontakt-gap på minst 3 mm.
- Kontaktbeskyttelse må sikres ved installasjonen.

### 3.3 Apparat i en vegghengende enhet

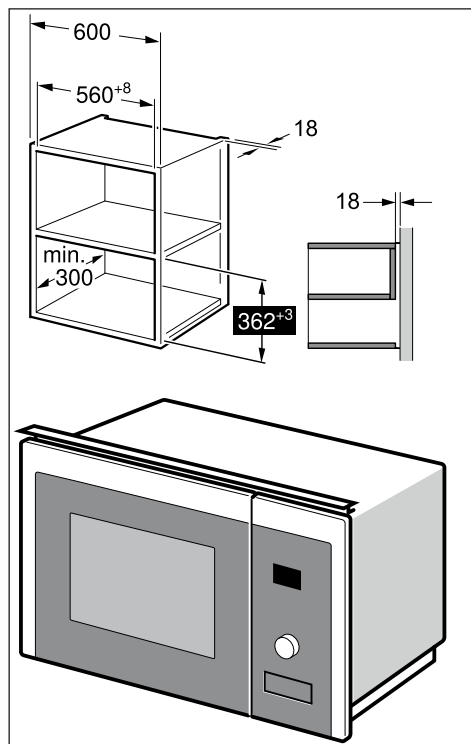
Installasjonsskapet må ikke ha et bakpanel bak apparatet.

Minimum installasjonshøyde: 850 mm. Ventilasjonsspor og inntak må ikke dekkes.

Deler;



Apparat i en vegghengende enhet



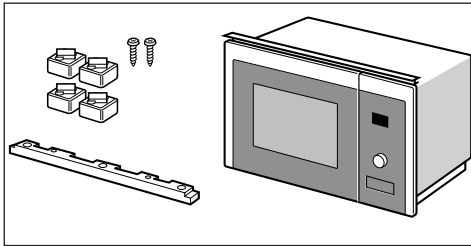
## 3 Montering og tilkobling

### 3.4 Apparatet i en høy enhet

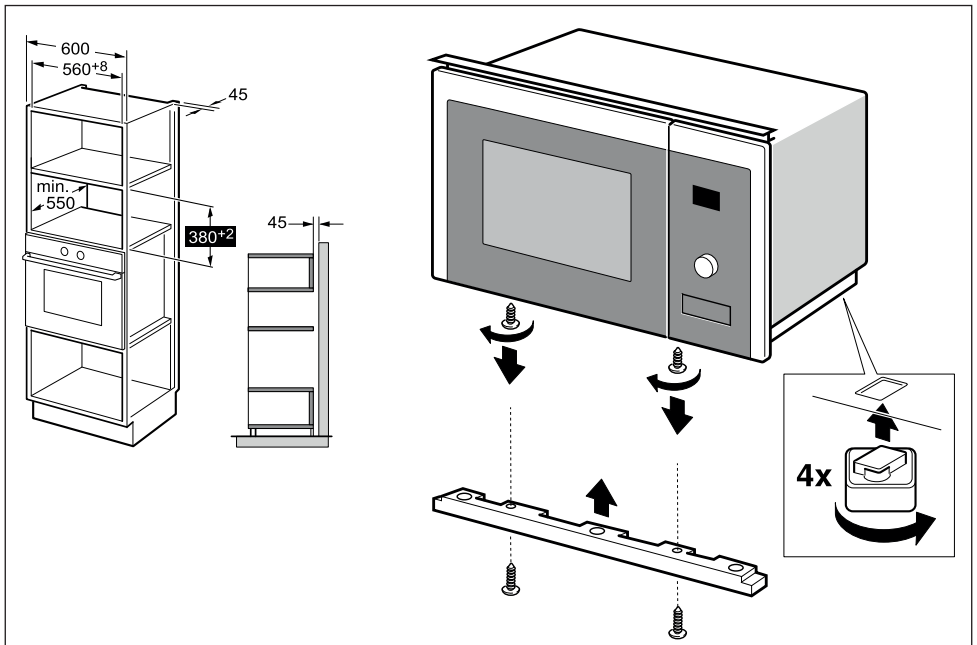
Installasjonsskapet må ikke ha et bakpanel bak apparatet.

Minimum installasjonshøyde: 850 mm. Ventilasjonsspør og inntak må ikke dekkes.

#### Deler;



Apparatet i en høy enhet

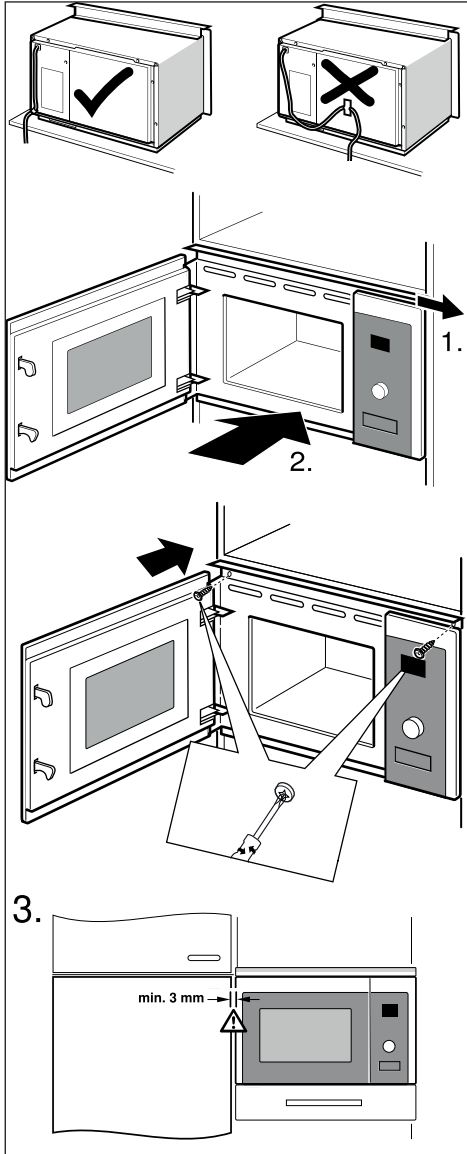


## 3 Montering og tilkobling

### 3.5 Installere ovnen



**ADVARSEL:** Ikke fastkil eller knekk strømledningen.



### 3.6 Installere dreieskiven

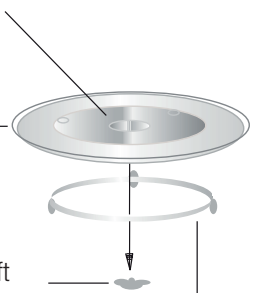
- Plasser aldri glassbrettet opp ned. Glassbrettet skal aldri begrenses.
- Både glassbrett og dreieskivestøtte må alltid brukes under tilberedning.
- All(e) mat og beholdere med mat må alltid plasseres på glassbrettet for matlaging.
- Hvis glassbrett eller driveskivestøtte sprekker eller går i stykker, må du kontakte nærmeste autoriserte servicesenter.

Nav (undersiden)

Glassbrett

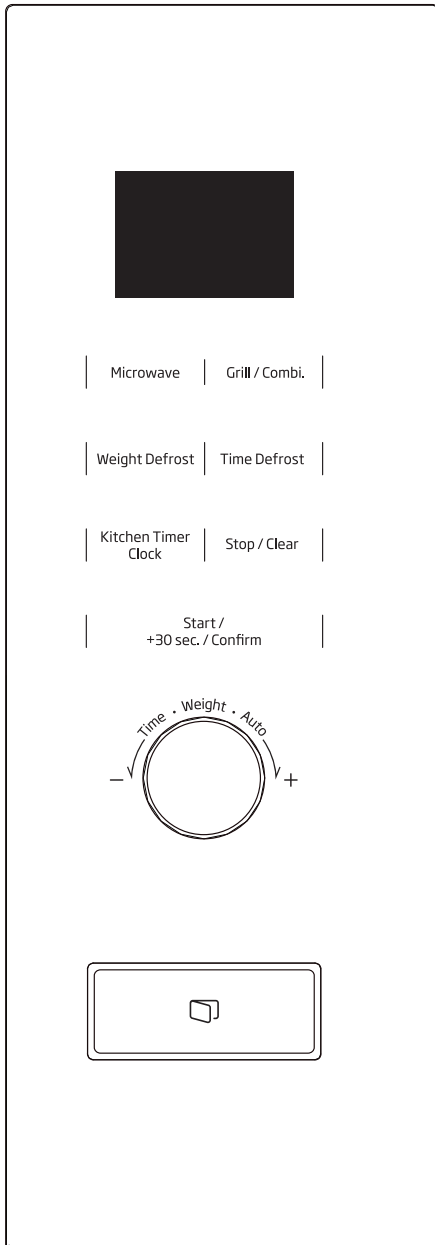
Dreieskiveskaft

Dreieskivestøtte



## 4 Betjening

### 4.1 Kontrollpanel



### 4.2 Klokkeinnstilling

Når mikrobølgeovnen er elektrifisert, vil ovnen vise "0:00", summeren ringer en gang. Ovnen går i ventetilstand.

1. Trykk "Kitchen Timer/Clock" to ganger, så begynner talene tallene for timer å blinke.
2. Drei "Time / Weight / Auto" for å justere timen; inndataverdien skal være mellom 0 og 23.
3. Trykk "Kitchen Timer/Clock", så begynner talene tallene for minutter å blinke.
4. Drei "Time / Weight / Auto" for å justere minuttene; inndataverdien skal være mellom 0 og 59.
5. Trykk "Kitchen Timer/Clock" for å fullføre tidsinnstillingen. ":"-Symbolet vil blinke, og tiden vil lyse.



Hvis klokken ikke er stilt, vil den ikke fungere når den er på.

### 4.3 Mikrobølgsteking

1. Trykk på "Microwave"-tasten en gang, så vil "P100" vises.
2. Trykk på "Microwave" igjen eller drei "Time / Weight / Auto" for å velge ønsket effekt. Hver gang du trykker på tasten, vises henholdsvis "P100", "P80", "P50", "P30" eller "P10".
3. Trykk "Start/+30 Sec./Confirm" for å bekrefte ønsket effekt.
4. Drei "Time / Weight / Auto" for å stille steketiden til en verdi mellom 0:05 og 95:00.
5. Trykk på "Start/+30 Sec./Confirm" igjen for å starte steking.
6. Tiden på skjermen begynner å telle ned.
7. "Pip"-lyden kan høres etter at prosessen er ferdig.

## 4 Betjening

Trinnene for å justere tiden i kodingsknappen er som nedenfor:

Stiller inn varighet	Tilleggsmengde
0-1 minutt	5 sekunder
1-5 minutter	10 sekunder
5-10 minutter	30 sekunder
10-30 minutter	1 minutt
30-95 minutter	5 timer

### Effektdiagram for mikrobølgeovn

Mikrobølgeeffekt	Høy	Med. høy	Med.	Med. Lav	Lav
Display	P100	P80	P50	P30	P10

### 4.4 Grill- eller kombi.-steking

1. Trykk "Grill/Combi." en gang, skjermen vil vise "G".
2. Trykk gjentatte ganger eller drei "Time / Weight / Auto" for å velge ønsket effekt, så vil "G", "C-1" eller "C-2" vil vises.
3. Trykk "Start/+30 Sec./Confirm" for å bekrefte effekten.
4. Drei "Time / Weight / Auto" for å stille inn steketid. (Maksimal steketid er 95 minutter)
5. Trykk på "Start/+30 Sec./Confirm" igjen for å starte steking.
6. Tiden på skjermen begynner å telle ned.
7. "Pip"-lyden kan høres etter at prosessen er ferdig.

### Instruksjoner om kombinasjonseffekt

Program	Display	Mikrobølgeeffekt	Grilleffekt
Grill	G	0%	100%
Kombi.1	C-1	55%	45%
Kombi.2	C-2	36%	64%



Hvis halve grilltiden går, høres ovnen to ganger, og dette er normalt. For å få en bedre effekt ved grilling av mat, bør du snu maten, lukke døren og deretter trykke på "Start/+30Sek./Bekreft" for å fortsette steking. Ovnens drift vil fortsette hvis du ikke betjener den.

### 4.5 Tining etter vekt

1. Trykk på "Weight Defrost" en gang, skjermen vil vise "dEF1".
2. Drei "Time / Weight / Auto" for å velge matvekten. Vektområdet er 100-2000g.
3. Trykk på "Start/+30 Sec./Confirm"-tasten for å starte tiningen.
4. Tiden på skjermen begynner å telle ned.
5. "Pip"-lyden kan høres etter at prosessen er ferdig.



Hvis halve tiningstiden går, høres ovnen to ganger, og dette er normalt. For mer effektiv tining, bør du snu maten, lukke døren og deretter trykke på "Start/+30Sek./Bekreft" for å fortsette steking. Ovnens drift vil fortsette hvis du ikke betjener den.

### 4.6 Tining etter tid

1. Trykk "Time Defrost" en gang, skjermen vil vise "dEF2".
2. Drei "Time / Weight / Auto" for å velge steketid. Maksimumtiden er 95 minutter.
3. Trykk på "Start/+30 Sec./Confirm"-tasten for å starte tiningen.
4. Tiden på skjermen begynner å telle ned.
5. "Pip"-lyden kan høres etter at prosessen er ferdig.



## 4 Betjening



Hvis halve tiningstiden går, høres oven to ganger, og dette er normalt. For mer effektiv tining, bør du snu maten, lukke døren og deretter trykke på "Start/+ 30Sek./Bekreft" for å fortsette steking. Ovnens drift vil fortsette hvis du ikke betjener den.

### 4.7 Flertrinns matlaging

2 trinn kan stilles maksimalt. Hvis ett trinn er tining, bør den settes i første trinn automatisk. Summeren vil ringe en gang etter hvert trinn og neste trinn vil begynne.



Auto-meny og hurtigsteking kan ikke angis som ett av flertrinnsene.

**Eksempel:** Hvis du vil tine maten i 5 minutter, må du steke med 80 % mikrobølgeeffekt i 7 minutter.

#### Trinnene er som følger:

1. Trykk "Time Defrost" en gang, skjermen vil vise "dEF2".
2. Drei "Time / Weight / Auto" for å justere tiningstiden på 5 minutter;
3. Trykk på "Microwave" en gang, skjermen vil vise "P100".
4. Trykk "Microwave" gjentatte ganger for å velge mikrobølgeeffekten til "P80" viser;
5. Trykk "Start/+30 Sec./Confirm" for å bekrefte.
6. Drei "Time / Weight / Auto" for å justere koketiden på 7 minutter;
7. Trykk på "Start/+30 Sec./Confirm" for å starte steking.
8. "Pip"-lyden kan høres etter at prosessen er ferdig.

### 4.8 Steketimer

1. Trykk på "Kitchen Timer/Clock" en gang, skjermen vil vise "00:00".

2. Drei "Time / Weight / Auto" for å angi riktig timer. (Maksimal steketid er 95 minutter)
3. Trykk "Start/+30 Sec./Confirm" for å bekrefte.
4. Tiden på skjermen begynner å telle ned.
5. "Pip"-lyden kan høres etter at prosessen er ferdig.

### 4.9 Auto-meny

1. I ventetilstand dreier du "Time / Weight / Auto" til høyre for å velge menyen. Skjermen vil vise "A 1".
2. Drei "Time / Weight / Auto" for å velge menyen du ønsker, "A 1" til "A 8" vil vises.
3. Trykk "Start/+30 Sec./Confirm" for å bekrefte menyen.
4. Drei "Time / Weight / Auto" for å velge matens vekt.
5. Trykk på "Start/+30 Sec./Confirm" igjen for å starte steking.
6. Tiden på skjermen begynner å telle ned.
7. "Pip"-lyden kan høres etter at prosessen er ferdig.

#### Menykartet:

Meny	Vekt	Effekt
A 1 - Pizza	200 g	100 % (Mik.)
	400 g	
A 2 - kjøtt	250 g	100 % (Mik.)
	350 g	
	450 g	
A 3 - Grønnsak	200 g	100 % (Mik.)
	300 g	
	400 g	
A 4 - Pasta	50 g (med 450 g kaldt vann)	80 % (Mik.)
	100 g (med 800 g kaldt vann)	

## 4 Betjening

A 5 - Potet	200 g	100 % (Mik.)
	400 g	
	600 g	
A 6 - Fisk	250 g	80 % (Mik.)
	350 g	
	450 g	
A 7 - Drikke	1 kopp (ca. 120 ml)	100 % (Mik.)
	2 kopper (ca. 240 ml)	
	3 kopper (ca. 360 ml)	
A 8 - Popkorn	50 g	100 % (Mik.)
	100 g	

### 4.10 Hurtigsteking

- 1.1 ventetilstand trykker du "Start/+30 Sec./Confirm"-tasten for å steko med 100 % effekt-nivå i 30 sekunder. Hvert trykk på den samme tasten kan øke 30 sekunder. Maksimal steketid er 95 minutter.
2. Under mikrobølgesteking, grilling, kombina-sjonssteking og tining etter tidsprosess, trykk "Start/+30 Sec./Confirm" for å øke steketiden.
3. Under tilstandene for auto-meny og tining etter vekt kan ikke steketiden økes ved å trykke på "Start/+30 Sec./Confirm".
4. I ventetilstand dreier du "Time / Weight / Auto" til venstre for å velge steketiden. Etter å ha justert steketiden trykker du på "Start/+30 Sec./Confirm" for å starte mikrobølgesteking med 100 % strømspak.

### 4.11 Låsfunksjon for barn

**Lås:** I ventetilstand trykker du på "STOP/Clear" i 3 sekunder for å gå inn i barnesikringstilstanden, og gjeldende klokkeslett vises hvis tiden er satt, ellers viser skjermen "🔒".

**Låseslutting:** I låst tilstand trykker du "STOP/Clear" i 3 sekunder, låsen løsnes.

### 4.12 Forespørsselfunksjon

1. I steketilstandene til mikrobølgeovn eller grill og kombinasjon. Trykk på "Microwave" eller "Grill/Combi.", den gjeldende effekten vises i 3 sekunder.
2. Hvis klokken er innstilt, under steketilstand, trykker du på "Kitchen Timer/Clock" for å sjekke gjeldende tid. Det vises i 3 sekunder.

### 4.13 Spesifikasjon

1. Hvis døren åpnes i løpet av tilberedningen, lukker du den og trykker deretter på "Start/+30 Sec./Confirm" for å fortsette steking.
2. Når stekeprogrammet er innstilt, venter du minst 1 minutt før du trykker på "Start/+30 Sec./Confirm". Gjeldende klokkeslett vises. Innstillingen vil bli avbrutt.
3. Summeren lyder en gang ved effektivt trykk, ingenting vil skje ved ineffektivt trykk.

## 5 Steketips

Følgende faktorer kan ha innvirkning på stekte resultatet:

### Matordning

Plasser tykkere områder mot utsiden av fatet, den tynnere delen mot midten og fordel den jevnt. Unngå overlapping hvis det er mulig.

### Steketid

Begynn å steke med en korttidsinnstilling, evaluer den etter at den blir tidsavbrutt, og utvid den etter det faktiske behovet. Oversteking kan føre til røyk og forbrenning.

### Stek maten jevnt

Mat som kylling, hamburger eller biff snus en gang under matlagingen.

Avhengig av type mat, rør hvis det er aktuelt maten utenfra til midten av retten én eller to ganger under steking.

### La maten stå

Etter at steking er tidsavbrutt, la maten ligge i ovnen i tilstrekkelig lenge. Dette gjør det mulig å fullføre stekesyklusen og avkjøle den gradvis.

### Om maten er ferdig

Matens farge og hardhet er med på å indikere om maten er ferdig. Disse inkluderer:

- Damp som kommer ut fra alle deler av mat, ikke bare fra kanten
- Ledd av fjærkre kan flyttes enkelt
- Svinekjøtt eller fjærkre viser ingen tegn til blod
- Fisk er ugjennomsiktig og kan kuttes i skiver enkelt med en gaffel

### Bruningskål

Når du bruker en bruningskål eller selvoppvarmende beholder, må du alltid sette på plass en varmebestandig isolator, for eksempel en porselenplate under den, for å forhindre skade på dreieskiven og rotasjonsringen.

### Mikrobølgeovnsikker plastfolie

Når du steker mat med høyt fettinnhold, må du ikke la plastfolien komme i kontakt med maten. Folien kan smelte.

### Kokekar av mikrobølgesikker plast

Noe kokekar av mikrobølgesikker plast er kanskje ikke egnet til steking av mat med høyt fett- og sukkerinnhold. Forvarmingstiden som er spesifisert i instruksjonene for retten må ikke overskrides.

## 6 Veiledning for kjøkkenutstyr

### 6.1 Materialer du kan bruke i mikrobølgeovn eller som ikke skal brukes i mikrobølgeovn



Risiko for personskader Det er farlig for andre enn en kompetent person å utføre service- eller reparasjonsoperasjoner som innebærer fjerning av et deksel som gir beskyttelse mot eksponering for mikrobølgeenergi.

Se instruksjonene i "Materialer du kan bruke i mikrobølgeovn eller som ikke skal brukes i mikrobølgeovn." Det kan være visse ikke-metalliske kjøkkenutstyr som er utrygge å bruke til mikrobølgesteking. Hvis du er i tvil, kan du teste det aktuelle redskapet ved å følge fremgangsmåten nedenfor.

#### Redskapstest:

1. Fyll en mikrobølgesikker beholder med 1 kopp kaldt vann (250 ml) sammen med det aktuelle redskapet.
2. Stek på maksimal effekt i 1 minutt.

## 6 Veiledning for kjøkkenutstyr

3. Føl redskapet nøye. Hvis det tomme redskapet er varmt, ikke bruk det til mikrobølgesteking.

4. Ikke overskrid 1 minutt steketid.

<b>Materialer du kan bruke i mikrobølgeovn</b>	
<b>Kjøkkenutstyr</b>	<b>Merknader</b>
Aluminiumsfolie	Bare skjerming. Små jevne biter kan brukes til å dekke tynne deler av kjøtt eller fjærkre for å forhindre oversteking. Gnister kan oppstå hvis folien er for nær ovnsvegger. Folien skal være minst 2,5 cm fra ovnsveggene.
Bruningsskål	Følg produsentens instruksjoner. Bunnen av bruningsskålen må være minst 5 mm over dreieskiven. Feil bruk kan føre til at dreieskiven går i stykker.
Servise	Bare mikrobølgesikker. Følg produsentens instruksjoner. Ikke bruk sprukne eller oppskårne tallerkner.
Glasskrukker	Fjern alltid lokket. Bruk bare til å varme opp maten til den akkurat er varm. De fleste glasskrukker er ikke varmebestandige og kan gå i stykker.
Glass	Varmebestandige ovnglassvarer. Pass på at det ikke er en metallkant. Ikke bruk sprukne eller oppskårne tallerkner.
Kokeposer for ovn	Følg produsentens instruksjoner. Ikke lukk med metallbånd. Lag spalter slik at dampen kan slippe ut.
Papirtallerkner og kopper	Brukes kun til kortvarig tilberedning/oppvarming. Ikke la ovnen være uten tilsyn mens du steker.
Tørkepapir	Brukes til å dekke mat til gjenoppvarming og absorbering av fett. Brukes med tilsyn bare til kortvarig matlaging.
Pergamentpapir	Bruk som et dekke for å forhindre sprut eller at en folie damper.
Plast	Bare mikrobølgesikker. Følg produsentens instruksjoner. Bør merkes som "Mikrobølgesikker". Noen plastbeholdere mykner, ettersom maten inni blir varm. "Kokeposer" og tett lukkede plastposer skal spaltes, stikkes hull i eller luftes som anvist av pakken.
Plastfolie	Bare mikrobølgesikker. Brukes til å dekke mat under tilberedningen for å beholde fuktigheten. Ikke la plastfolie komme i kontakt med mat.
Termometre	Kun mikrobølgesikker (termometre for kjøtt og godteri).
Vokspapir	Bruk som dekke for å forhindre sprut og beholde fuktighet.
<b>Materialer som ikke skal brukes mikrobølgeovn</b>	
Aluminiumsbrett	Kan forårsake gnister. Overfør mat til mikrobølgesikker tallerken.
Matkartong med metallhåndtak	Kan forårsake gnister. Overfør mat til mikrobølgesikker tallerken.
Kjøkkenutstyr i metall eller med metallkanter	Metall beskytter maten mot mikrobølgeenergi. Metalkanter kan forårsake gnister.
Ståltråder	Kan forårsake gnister og brann i ovnen.
Papirposer	Kan forårsake brann i ovnen.
Plastskum	Plastskum kan smelte eller kontaminere den innvendige væsken når den utsettes for høy temperatur.
Tre	Tre vil tørke ut når det brukes i mikrobølgeovnen og kan splitte eller sprekke.

# 7 Rengjøring og vedlikehold

## 7.1 Rengjøring



**ADVARSEL:** Bruk aldri bensin, løsemiddel, rengjøringsmiddel, metallgjenstander eller harde børster til å rengjøre apparatet.



**ADVARSEL:** Sett aldri apparatet eller strømkabelen i vann eller annen væske.

1. Slå av og koble fra apparatet.
2. Vent til apparatet er helt avkjølt.
3. Hold insiden av ovnen ren. Tørk av med en fuktig klut når sprutet mat eller sølet væske fester seg til apparatets vegger. Et mildt vaskemiddel kan brukes hvis apparatet blir veldig skittent. Unngå å bruke spray og andre slipende rengjøringsmidler, da det kan forårsake flekker, merker og uklarerhet på døren.
4. Apparatets ytre overflater må rengjøres med en fuktig klut. Ikke tillat vanninntrenging fra ventilasjonsåpninger for å forhindre skade på driftsdelene i apparatet.
5. Tørk begge sider av døren og glasset, dørpakkningene og delene nær pakningene ofte med en fuktig klut for å fjerne flekkene fra overflyting og spruting. Ikke bruk skuremidler.
6. Ikke la kontrollpanelet bli vått. Rengjør med en myk, fuktig klut. La døren til apparatet være åpen for å forhindre utilsiktet bruk mens du rengjør kontrollpanelet.
7. Hvis tåke samler seg i eller rundt døren til apparatet, må du tørke av med en myk klut. Dette kan oppstå når mikrobølgeovnen brukes under forhold med høy luftfuktighet. Dette er normalt.
8. I noen tilfeller kan det hende du må fjerne glassbrettet for rengjøring. Vask brettet i varmt såpevann eller i oppvaskmaskin.
9. Rullekrans og apparatgulvet bør rengjøres regelmessig for å unngå overdreven støy. Det vil være tilstrekkelig å tørke av apparatets nedre overflate med et skånsomt vaskemiddel. Rullekrans kan vaskes i varmt såpevann eller i oppvaskmaskin. Når du tar rullekransen fra apparatets indre gulv for rengjøring, må du forsikre deg om at du monterer den i riktig posisjon når du setter den tilbake på plass.
10. For å fjerne den dårlige lukten i apparatet, legg et glass vann og juice og skorpe av en sitron i en dyp bolle som er egnet for bruk i mikrobølgeovn, og bruk apparatet i 5 minutter i mikrobølgeomodus. Tørk grundig og tørk med en myk klut.
11. Ta kontakt med det autoriserte serviceverkstedet når apparatlampe må skiftes ut.
12. Apparatet skal rengjøres regelmessig og matavleiringer fjernes. Hvis apparatet ikke holdes rent, kan dette føre til overflateskader som kan påvirke apparatets livssyklus negativt, og dette kan føre til risiko.
13. Ikke kast apparatet med husholdningsavfall; gamle ovner skal avhendes til spesialavfallssentre gitt av kommunene.
14. Når apparatet brukes i grillfunksjon, kan det oppstå en liten mengde røyk og lukt som forsvinner etter en viss brukstid.

## 7.2 Lagring

- Hvis du ikke har tenkt å bruke apparatet på lenge, må du lagre det nøye.
- Forsikre deg om at apparatet er koblet fra, avkjølt og helt tørt.
- Oppbevar apparatet på et kjølig og tørt sted.
- Hold apparatet utilgjengelig for barn.

## 7 Rengjøring og vedlikehold

### 7.3 Håndtering og transport

- Bær apparatet i originalemballasjen under håndtering og transport.
- Apparatets emballasje beskytter den mot fysiske skader.
- Ikke legg store belastninger på apparatet eller emballasjen. Apparatet kan bli skadet.

## 8 Feilsøking

Normal	
Mikrobølgeovn forstyrrer TV-mottaket	Radio- og TV-mottak kan bli forstyrret når mikrobølgeovnen er i bruk. Det ligner forstyrrelsen som forårsakes av små elektriske apparater, slik som blandere, støvsugere og elektriske vifter. Det er normalt.
Ovnslyset er dimmet	Ved mikrobølgsteking med lav effekt kan ovnslyset dimmes. Det er normalt.
Damp som samler seg på døren, varm luft som kommer ut av ventilasjonsåpningene	Under stekingen kan det oppstå damp fra maten. Det meste av denne dampen vil komme ut av ventilasjonsåpninger. Men noe kan samle seg på et kjølig sted som f.eks. en ovnsdør. Det er normalt.
Ovn startet ved et uhell uten mat i den.	Det er ikke tillatt å kjøre apparatet uten mat inni. Det er veldig farlig.

Problem	Mulig årsak	Løsning
Ovnen kan ikke startes.	1) Strømkabelen er ikke riktig koblet til.	Trekk den ut. Plugg den deretter inn igjen etter 10 sekunder.
	2) Sikring er blåst eller effektbryter er aktivert.	Bytt ut sikring eller tilbakestill effektbryter (må repareres av profesjonelt personell i selskapet vårt).
	3) Problemer med stikkontakt.	Test uttaket med andre elektriske apparater.
Ovnen varmer ikke.	4) Døren er ikke lukket ordentlig.	Lukk døren skikkelig.

## Læs venligst denne brugsanvisning først!

Kære kunde

Tak fordi du foretrækker et Beko-produkt. Vi håber, at du får de bedste resultater fra dit produkt, der er fremstillet med høj kvalitet og avanceret teknologi. Læs derfor hele denne brugervejledning og alle andre medfølgende dokumenter omhyggeligt, før du bruger produktet, og opbevar det som reference til fremtidig brug. Hvis du overdrager produktet til en anden, så giv brugervejledningen med. Følg alle advarsler og oplysninger i brugermanualen.

### Betydning af symbolerne

Følgende symboler bruges i de forskellige afsnit i denne brugermanual:



Vigtig information eller nyttige tips om brug.



Advarsler om farlige situationer vedrørende sikkerhed og liv og ejendom.



Advarsel mod varme overflader.



Advarsel mod elektrisk stød.



Advarsel om fare for brand.



Dette produkt er fremstillet i miljøvenlige moderne anlæg, uden at skade naturen.

# 1 Vigtige instruktioner om miljø og sikkerhed.

**Vigtige sikkerhedsinstruktioner læses omhyggeligt og opbevares som fremtidig reference**

## 1.1 Sikkerhedsadvarsler

Dette afsnit indeholder sikkerhedsanvisninger, der vil hjælpe med at beskytte mod brand, elektrisk stød, udsættelse for lækket mikrobølgeenergi, risiko for personskade eller skade på ejendom. Hvis du ikke følger disse instruktioner, bliver garantien annulleret.

- Beko-mikrobølgeovne overholder de gældende sikkerhedsstandarder. I tilfælde af skade på apparatet eller strømkablet skal det derfor repareres eller udskiftes af forhandleren, servicecentret eller en specialist og autoriseret service for at undgå fare. Fejlagtigt eller ikke-kvalificeret reparationsarbejde kan medføre fare og forårsage risiko for brugeren.
- Dette apparat er beregnet til brug i husholdningen og lignende anvendelser såsom
  - Personalekøkken, butiksområder, kontorer og andre arbejdsmiljøer,
  - Landbrugsejendomme
  - Kunder på hoteller, og andre boligmiljøer,
  - Bed and breakfast-miljøer.
- Den er ikke beregnet til kommerciel eller industriel anvendelse.
- Forsøg ikke at starte ovnen, når døren er åben. Ellers kan du blive udsat for skadelig mikrobølgeenergi. Sikkerhedslåse må ikke deaktiveres eller manipuleres.
- Mikrobølgeovnen er beregnet til opvarmning af mad og drikkevarer. Tørring af mad eller beklædning og opvarmning af opvarmningspulver, hjemmesko, svampe, fugtig klud og lignende kan føre til risiko for personskade, antændelse eller brand.
- Anbring ingen genstande mellem forsiden og døren til ovnen. Lad ikke rester af snavs eller rengøringsmiddel opbygges på lukkeoverfladerne.
- Eventuelle servicearbejder, der involverer fjernelse af dækslet, der giver beskyttelse mod eksponering for mikrobølgeenergi, skal udføres af autoriserede personer/service. Enhver anden tilgang er farlig.



# 1 Vigtige instruktioner om miljø og sikkerhed.

- Dit produkt er beregnet til madlavning, opvarmning og afrimning af mad derhjemme. Den må ikke bruges til andet formål.
- Din ovn er ikke designet til at tørre noget levende væsen.
- Brug ikke dit apparat til at tørre tøj eller køkkenhåndklæder.
- Brug ikke dette apparat uden dørs, badeværelser, fugtige miljøer eller steder, hvor det kan blive vådt.
- Vi påtager os intet ansvar eller garanti for skader, der opstår som følge af forkert brug eller forkert håndtering af apparatet.
- Forsøg ikke at afmontere produktet. Ingen garantikrav accepteres for skader, der skyldes forkert håndtering.
- Brug kun de originale reservedele og/eller dele frigivet af producenten.
- Lad ikke apparatet være uden opsyn, mens det er tilsluttet.
- Brug altid apparatet på en stabil, flad, ren, tør og skridsikker overflade.
- Apparaterne er ikke beregnet til at blive betjent ved hjælp af en ekstern timer eller separat fjernbetjening.
- Før du anvender enheden for første gang, skal du fjerne alt emballage. Se detaljerne i afsnittet "Rengøring og vedligeholdelse".
- Brug kun apparatet til det tilsligtede formål som beskrevet i denne vejledning.
- Apparatet bliver meget varmt, mens det er i brug. Vær opmærksom på ikke at røre ved de varme dele inde i ovnen.
- Brug ikke ovnen tom.
- Køkkengrej kan blive varmt på grund af den varme, der overføres fra den opvarmede mad til redskabet. Du har muligvis brug for termohandsker for at holde redskabet.
- Redskaber skal kontrolleres for at sikre, at de er egnede til brug i mikrobølgeovne.
- Anbring ikke ovnen på komfurer eller andre varmegenererende apparater. Ellers kan det blive beskadiget, og garantien bortfalde.
- Der kan komme damp ud, mens du åbner dækslerne eller folien efter madlavning.
- Apparatet og dets tilgængelige overflader kan blive meget varmt, når apparatet er i brug.

# 1 Vigtige instruktioner om miljø og sikkerhed.

- Dør og yderglas kan blive meget varmt, når apparatet er i brug.
- Sørg for, at din strømforsyning er i overensstemmelse med de oplysninger, der leveres på apparatets typeskilt.
- Den eneste måde at afbryde apparatet fra strømforsyningen er at fjerne stikket fra stikkontakten.
- Brug kun apparatet med en jordet stikkontakt.
- Brug ikke apparatet, hvis strømkablet eller selve apparatet er beskadiget.
- Brug ikke apparatet med en forlængerledning!
- Rør aldrig ved apparatet eller dets stik med fugtige eller våde hænder.
- Apparatet skal placeres, så stikket altid er tilgængeligt
- Undgå beskadigelse af strømkablet ved ikke at presse, bøje eller gnide det på skarpe kanter. Hold strømkablet væk fra varme overflader og åben ild.
- Sørg for, at der ikke er nogen fare for, at strømkablet ved et uheld kan trækkes, eller at nogen kan snuble over det, når apparatet er i brug.
- Tag stikket ud af stikkontakten før hver rengøring og når apparatet ikke er i brug.
- Træk ikke i strømkablet på apparatet for at fjerne det fra strømforsyningen, og vikl aldrig strømkablet rundt om apparatet.
- Nedsenk ikke apparatet, strømkablet eller strømstikket i vand eller andre væsker. Hold den ikke under rindende vand.
- Når du opvarmer mad i plast- eller papirbeholdere, skal du holde øje med ovnen på grund af muligheden for antændelse.
- Fjern trådstreng og / eller metalhåndtag af papir eller plastikposer, før du sætter poser i ovnen.
- Hvis der observeres røg, skal du slukke for apparatet eller tage stikket ud, hvis det er sikkert, og hold døren lukket for at kvæle flammer.
- Brug ikke mikrobølgeovn til opbevaring. Efterlad ikke papirvarer, madlavningsmateriale eller mad inde i ovnen, når den ikke bruges.

# 1 Vigtige instruktioner om miljø og sikkerhed.

- Indholdet af sutteflasker og baby-madbøtter bør omrøres eller rystes, og temperaturen kontrolleres inden forbrug for at undgå forbrændinger.
  - Dette apparat er et gruppe 2 ISM-udstyr af klasse B. Gruppe 2 indeholder alt ISM (industrielt, videnskabeligt og medicinsk) udstyr, hvor radiofrekvensenergi med vilje genereres og/eller bruges i form af elektromagnetisk stråling til behandling af materiale og gnisterosionsudstyr.
  - Klasse B-udstyr er velegnet til brug i hjemlige virksomheder og virksomheder, der er direkte tilsluttet et lavspændingsforsyningsnet.
  - Brug ikke madolie i ovnen. Varm olie kan beskadige ovnens komponenter og materialer, og det kan endda forårsage forbrændinger på huden.
  - Prik mad med tyk skorpe som kartofler, courgetter, æbler og kastanjer.
  - Apparatet skal placeres, så bagsiden vender mod væggen.
  - Inden du flytter apparatet, skal du sikre drejeskiven for at forhindre skader.
  - Æg i deres skal og hele hårdkogte æg må ikke opvarmes i mikrobølgeovne, da de kan eksplodere, selv efter at mikrobølgeopvarmningen er afsluttet.
- ADVARSEL:** Hvis døren eller dørforseglingen er beskadiget, må ovnen ikke betjenes, før den er repareret af en kompetent person.
- ADVARSEL:** Det er farligt for andre end en kompetent person at udføre enhver service eller reparation, der involverer fjernelse af et dæksel, der giver beskyttelse mod udsættelse for mikrobølgeenergi.
- ADVARSEL:** Væsker og andre fødevarer må ikke opvarmes i forseglede beholdere, da de kan eksplodere.
- Ovnens skal rengøres regelmæssigt, og eventuelle madaflejringer fjernes.
  - Der skal være min 20 cm fri plads over ovnens øverste overflade.
  - Maden må ikke koges for meget, ellers kan du forårsage brand.
  - Brug ikke kemikalier og dampassisterede rengøringsmidler til at rengøre apparatet.

# 1 Vigtige instruktioner om miljø og sikkerhed.

- Ekstrem forsigtighed tilrådes, når det bruges i nærheden af børn og personer, der er begrænset i deres fysiske, sensoriske eller mentale evner.
- Dette apparat kan bruges af børn i alderen 8 år eller derover og af personer, der har begrænset fysisk, sensorisk eller mental kapacitet, eller som ikke har viden og erfaring, så længe de overvåges med hensyn til sikker brug af produktet, eller de instrueres i overensstemmelse hermed eller forstår risikoen ved at bruge produktet. Børn bør ikke lege med produktet. Rengøring og brugervedligeholdelse må ikke foretages af børn uden opsyn.
- **Fare for kvælning!** Hold alle emballagematerialer utilgængelige for børn.
- På grund af overdreven varme, der opstår i grill- og kombinationstilstande, bør børn kun have tilladelse til at bruge disse tilstande under opsyn af en voksen.
- Opbevar produktet og dets strømledning, så de er utilgængelige for børn under 8 år.
- Tilbered ikke mad direkte på glasbakken. Læg maden i/på passende køkkenredskaber, inden du sætter dem i ovnen.
- Metalbeholdere til mad og drikke er ikke tilladt i mikrobølgeovn. Ellers kan der opstå gnister.
- Mikrobølgeovnen må ikke placeres i et skab, der ikke overholder installationsvejledningen.
- Mikrobølgeovn er kun beregnet til indbygget brug.
- Hvis indbyggede apparater, der bruges lige på eller højere end 900 mm over gulvet, skal man passe på ikke at forskyde drejeskiven, når beholdere fjernes fra apparatet.
- Hvis det indbyggede produkt er i et skab med en dør, skal produktet betjenes med skabsdøren åben.

# 1 Vigtige instruktioner om miljø og sikkerhed.

## 1.2 Overholdelse af WEEE-direktivet og bortskaffelse af affald:

Dette produkt er i overensstemmelse med WEEE-direktiv (2012/19/EU). Dette produkt bærer et symbol for klassificering af bortskaffelse af elektrisk og elektronisk udstyr (WEEE).



Dette symbol indikerer, at dette produkt ikke må bortskaffes sammen med almindeligt husholdningsaffald, når slutningen på dets levetid er nået. Brugte apparater skal indleveres på en offentlig genbrugsplads til elektriske og elektroniske apparater.

Kontakt din kommune eller forhandleren af produktet for at finde ud af, hvor disse genbrugspladser ligger. Alle husholdninger spiller en vigtig rolle i forhold til genanvendelse og genbrug af gamle produkter. Korrekt bortskaffelse af brugte apparater hjælper med at beskytte mod potentielt negative konsekvenser for miljøet og mennesker.

## 1.3 Overholdelse af RoHS-direktivet:

Det produkt, du har købt, er i overensstemmelse med EU RoHS-direktivet (2011/65/EU). Det indeholder ikke skadelige og forbudte materialer angivet i direktivet.

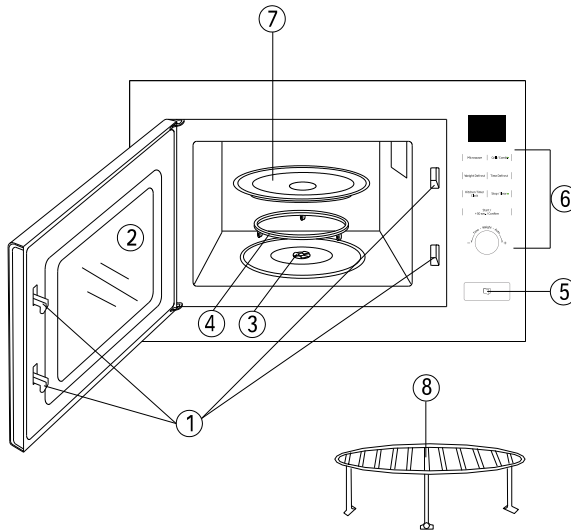
## 1.4 Information om emballagen



Produktets emballage er fremstillet fra genbrugsmaterialer i overensstemmelse med nationale miljølove. Smid ikke emballagen sammen med husholdningsaffald eller andet affald. Tag den til indsamlingssted for emballage, som er udpeget af lokale myndigheder.

## 2 Din mikrobølgeovn

### 2.1 Oversigt



1. Dørsikkerhedslåsningsystem
2. Ovnvindue
3. Drejelig aksel
4. Drejebordstøtte
5. Døråbningsknap
6. Betjeningspanel
  - Mikroovn
  - Grill/kombi.
  - Vægt afrimning
  - Tid afrimning
  - Køkken-minutur
  - Stop/Ryd
  - Start/+30 sek./Bekræft
  - Tid/vægt/Auto (Tryk ud-knap)
7. Glasbakke
8. Grillholder (kan ikke bruges i mikrobølgefunktion og skal placeres på glasbakken)

### 2.2. Tekniske data

<b>Model</b>	MGB 20212 B
<b>energiforbrug</b>	230 V~50 Hz, 1270 W (Mikroovn) 1000 W (Grill)
<b>Udgangseffekt:</b>	800 W
<b>Driftsfrekvens</b>	2450 MHz
<b>Udvendige dimensioner (Hx Bx D) mm</b>	387x594x333
<b>Ovnkapacitet</b>	20 liter
<b>Nettovægt</b>	16.5 kg
<b>Farve</b>	Sort

Tekniske og designændrings rettigheder er forbeholdt.

Mærkninger på apparatet eller de værdier, der er angivet i andre dokumenter, der leveres med produktet, er værdier opnået under laboratoriebetingelser i henhold til relevante standarder. Disse værdier kan variere afhængigt af brugen af apparatet og de omgivende forhold. Effektværdier er testet ved 230 V.

## 3 Installation og tilslutning

### 3.1 Installationsvejledning

- Overhold de specielle installationsinstruktioner.
- Apparatet kan installeres i et 60 cm bredt vægmonteret skab.
- Apparatet er udstyret med et stik og må kun tilsluttes en korrekt installeret jordet stikkontakt.
- Netspændingen skal svare til den spænding, der er angivet på typeskiltet.
- Stikket skal installeres, og forbindelseskablet må kun udskiftes af en kvalificeret elektriker. Hvis stikket ikke længere er tilgængeligt efter installationen, skal der være en flerpolet afbryderenhed til stede på installationssiden med en kontaktafstand på mindst 3 mm.



**ADVARSEL:** Adaptere, flervejstrimler og forlængerledninger må ikke bruges. Overbelastning kan medføre risiko for brand.

### 3.2 Eltilslutning

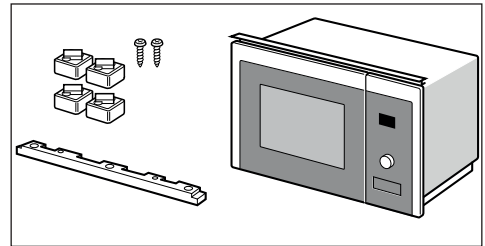
- Apparatet er udstyret med et stik og må kun tilsluttes en korrekt installeret jordet stikkontakt.
- Kun en kvalificeret elektriker, der tager de relevante regler i betragtning, må installere stikkontakten eller udskifte forbindelseskablet.
- Hvis stikket ikke længere er tilgængeligt efter installationen, skal der være en flerpolet afbryderenhed til stede på installationssiden med en kontaktafstand på mindst 3 mm.
- Kontaktbeskyttelse skal sikres ved installationen.

### 3.3 Apparatet i en vægophængt enhed

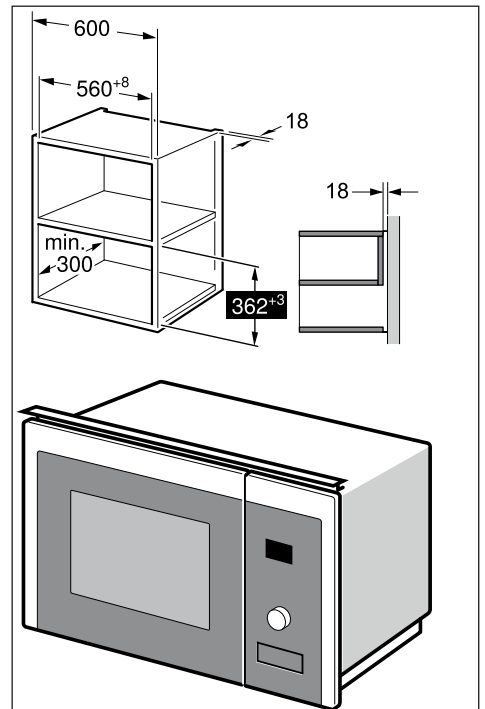
Installationsskabet må ikke have et bagpanel bag apparatet.

Minimum installationshøjde: 850 mm.  
Ventilationsspalter og indtag må ikke være dækket.

Dele:



### Apparatet i en vægophængt enhed



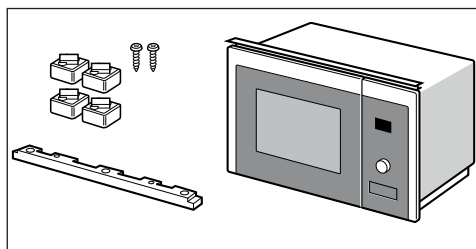
## 3 Installation og tilslutning

### 3.4 Apparatet i en høj enhed

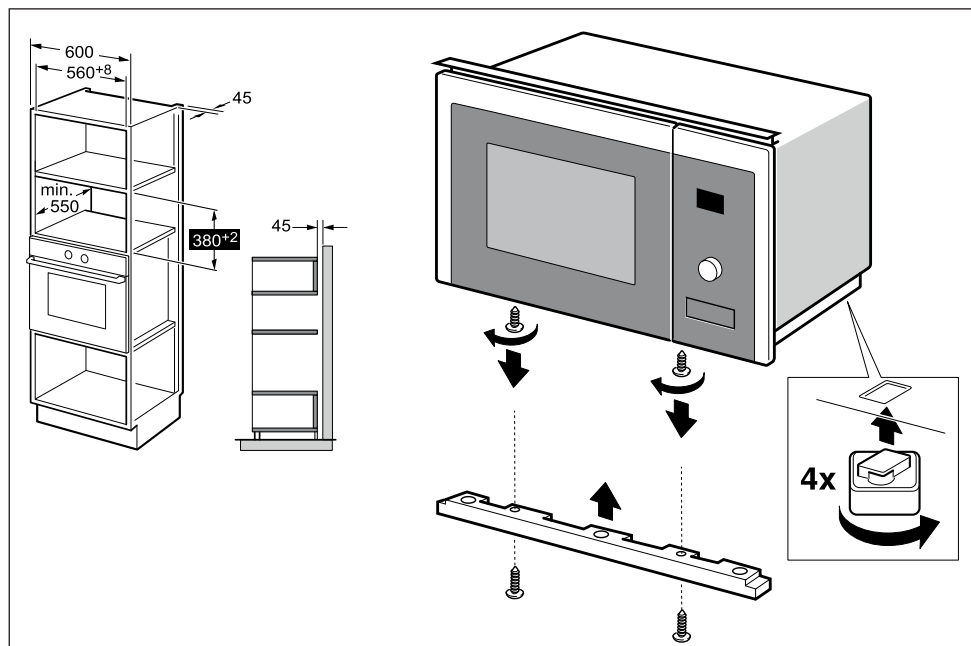
Installationsskabet må ikke have et bagpanel bag apparatet.

Minimum installationshøjde: 850 mm.  
Ventilationsspalter og indtag må ikke være dækket.

**Dele:**



**Apparatet i en høj enhed**



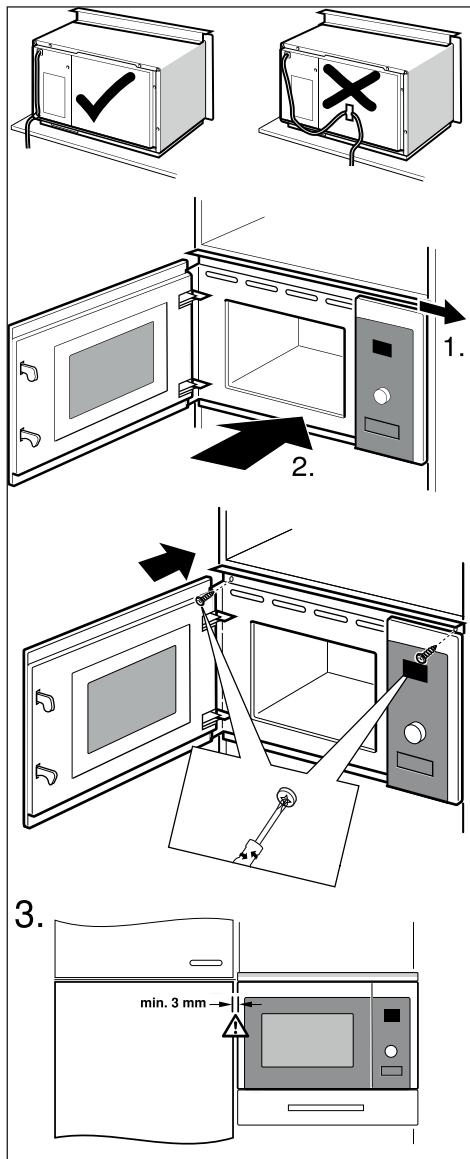


## 3 Installation og tilslutning

### 3.5 Installation af ovnen

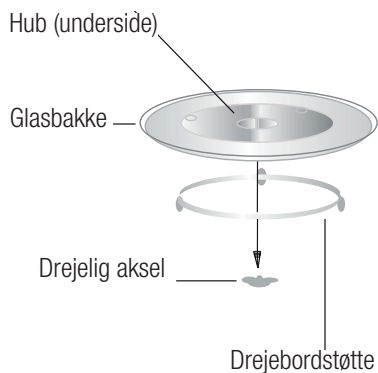


**ADVARSEL:** Undlad at snuble over eller træde på ledningen.



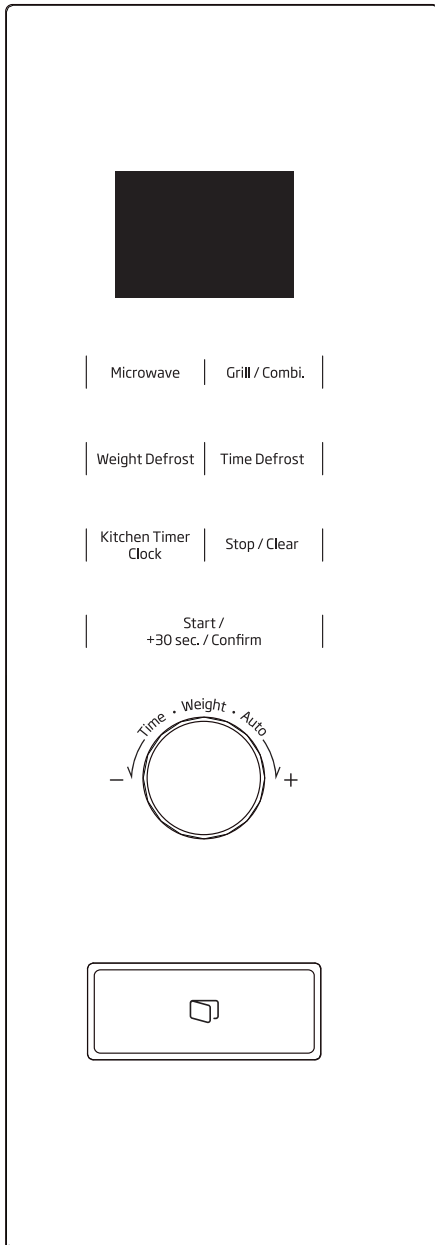
### 3.6 Installation af ovnen

- Placer aldrig glasbakken på hovedet. Glasbakken må aldrig begrænses.
- Både glasbakke og pladestøtte skal altid bruges under madlavning.
- Al mad og beholdere med mad skal altid anbringes på glasbakken til madlavning.
- Hvis glasbakke eller drejebord understøtter eller revner, skal du kontakte dit nærmeste autoriserede servicecenter.



## 4 Betjening

### 4.1 Styrepanel



### 4.2 Urindstilling

Når der er sat strøm til mikrobølgeovnen, viser ovnen "0:00", summeren ringer en gang. Ovnen går i ventetilstand.

1. Tryk på "Kitchen Timer/Clock" to gange, og ti-metallene begynder at blinke.
2. Drej "Time / Weight / Auto" for at justere timeværdien, inputværdien skal være mellem 0 og 23.
3. Tryk på "Kitchen Timer/Clock", og tallene i minutter begynder at blinke.
4. Drej "Time / Weight / Auto" for at justere minutterne, inputværdien skal være mellem 0 og 59.
5. Tryk på "Kitchen Timer/Clock" for at afslutte indstillingen. ":"-symbolet vil blinke, og tiden lyser.



Hvis uret ikke er indstillet, fungerer det ikke, når det er tændt.

### 4.3 Mikrobølgeovnsmadlavning

1. Tryk en gang på "Microwave", og "P100" vises.
2. Tryk på "Microwave" igen, eller drej "Time / Weight / Auto" for at vælge den ønskede effekt. Hver gang du trykker på tasten, vises henholdsvis "P100, P80, P50, P30" eller "P10".
3. Tryk på "Start/+30 Sec./Confirm" for at bekræfte den ønskede effekt.
4. Drej "Time / Weight / Auto" for at indstille tilberedningstiden til en værdi mellem 0:05 og 95:00.
5. Tryk på "Start/+30 Sec./Confirm" igen for at starte tilberedningen.
6. Tiden på skærmen starter nedtællingen.
7. "Bip"-lyden kan høres, når processen er afsluttet.

## 4 Betjening

Trinene til justering af tiden i kodningsknappen er som nedenfor:

Indstilling af varighed	Optællingsværdi
0-1 minut	5 sekunder
1-5 minutter	10 sekunder
5-10 minutter	30 sekunder
10-30 minutter	1 minut
30-95 minutter	5 minutter

### Mikroovneeffekt-diagram

Mikroovneeffekt	Høj	Medium Høj	Medium	Medium Lav	Lav
Display	P100	P80	P50	P30	P10

### 4.4 Grill eller kombi-madlavning

1. Tryk en gang på "Grill/Combi.", Skærmen viser "G".
2. Tryk gentagne gange på, eller drej "Time / Weight / Auto" for at vælge den ønskede effekt, og "G", "C-1" eller "C-2" vises.
3. Tryk på "Start/+30 Sec./Confirm" for at bekræfte den ønskede effekt.
4. Drej "Time / Weight / Auto" for at indstille tilberedningstiden. (Den længste tilberedningstid er 95 minutter).
5. Tryk på "Start/+30 Sec./Confirm" igen for at starte tilberedningen.
6. Tiden på skærmen starter nedtællingen.
7. "Bip"-lyden kan høres, når processen er afsluttet.

### Kombination effektinstruktioner

Program	Display	Mikroovneeffekt	Grilleffekt
Grill	G	0%	100%
Combi.1	C-1	55%	45%
Combi.2	C-2	36%	64%



Hvis halvdelen af grilltiden går, lyder ovnen to gange, og dette er normalt. For at få en bedre effekt af at grille mad, skal du vende maden, lukke døren og derefter trykke på "Start/+30 Sec./Confirm" for at fortsætte med at tilberede. Hvis der ikke er nogen operation, fortsætter ovnen med at arbejde.

### 4.5 Afrimning efter vægt

1. Tryk en gang på "Weight Defrost", Skærmen viser "dEF1".
2. Drej "Time / Weight / Auto" for at indstille madvægten. Vægtområdet er 100-2000 g.
3. Tryk på "Start/+30 Sec./Confirm" igen for at starte afrimningen.
4. Tiden på skærmen starter nedtællingen.
5. "Bip"-lyden kan høres, når processen er afsluttet.



Hvis halvdelen af optøningstiden går, lyder ovnen to gange, og dette er normalt. For at få en bedre effekt af optøning, skal du vende maden, lukke døren og derefter trykke på "Start/+30 Sec./Confirm" for at fortsætte med at tilberede. Hvis der ikke er nogen operation, fortsætter ovnen med at arbejde.

## 4 Betjening

### 4.6 Afrimning efter tid

1. Tryk en gang på "Time Defrost", skærmen viser "deF2".
2. Drej "Time / Weight / Auto" for at vælge tilberedningstiden. Den længste tid er 95 minutter.
3. Tryk på "Start/+30 Sec./Confirm" igen for at starte afrimningen.
4. Tiden på skærmen starter nedtællingen.
5. "Bip"-lyden kan høres, når processen er afsluttet.



Hvis halvdelen af optøningstiden går, lyder ovnen to gange, og dette er normalt. For at få en bedre effekt af optøning, skal du vende maden, lukke døren og derefter trykke på "Start/+30 Sec./Confirm" for at fortsætte med at tilberede. Hvis der ikke er nogen operation, fortsætter ovnen med at arbejde.

### 4.7 Tilberedning i flere trin

Der kan maksimalt indstilles 2 trin. Hvis et trin er afrimning, skal den sættes automatisk i den første fase. Summeren ringer en gang efter hvert trin, og næste trin begynder.



Auto-menu og hurtig tilberedning kan ikke indstilles som en af flerttrinene.

**Eksempel:** Hvis du vil afrime maden i 5 minutter, skal du lave mad med 80% mikrobølgeeffekt i 7 minutter.

#### Trinnene er som følger:

1. Tryk en gang på "Time Defrost", skærmen viser "deF2".
2. Drej "Time / Weight / Auto" for at indstille tilberedningstiden 5 minutter;
3. Tryk en gang på "Microwave", skærmen viser "P100".

4. Tryk gentagne gange på "Microwave" for at vælge mikrobølgeeffekt, indtil "P80" vises;
5. Tryk på "Start/+30 Sec./Confirm" for at bekræfte.
6. Drej "Time / Weight / Auto" for at indstille tilberedningstiden på 7 minutter;
7. Tryk på "Start/+30 Sec./Confirm" for at starte tilberedningen.
8. "Bip"-lyden kan høres, når processen er afsluttet.

### 4.8 Køkken-minutur

1. Tryk en gang på "Kitchen Timer/Clock", skærmen viser "00:00".
2. Drej "Time / Weight / Auto" for at indstille det korrekte minutur. (Den længste tilberedningstid er 95 minutter).
3. Tryk på "Start/+30 Sec./Confirm" for at bekræfte.
4. Tiden på skærmen starter nedtællingen.
5. "Bip"-lyden kan høres, når processen er afsluttet.

### 4.9 Automenu

1. I ventetilstand skal du dreje "Time/Weight/Auto" til højre for at vælge menuen. Skærmen viser "A 1".
2. Drej "Time / Weight / Auto" for at vælge den ønskede menu, "A 1" til "A 8" vises.
3. Tryk på "Start/+30 Sec./Confirm" for at bekræfte menuen.
4. Drej "Time / Weight / Auto" for at indstille vægten af fødevarer.
5. Tryk på "Start/+30 Sec./Confirm" igen for at starte tilberedningen.
6. Tiden på skærmen starter nedtællingen.
7. "Bip"-lyden kan høres, når processen er afsluttet.

## 4 Betjening

### Menuagrammet:

Menu	Vægt	Strøm
A 1 - Pizza	200 g	100% (Mik.)
	400 g	
A 2 - kød	250 g	100% (Mik.)
	350 g	
	450 g	
A 3 - Vegetabilsk	200 g	100% (Mik.)
	300 g	
	400 g	
A 4 - pasta	50 g (med 450 g koldt vand)	80% (Mik.)
	100g (med 800g koldt vand)	
A 5 - Kartoffel	200 g	100% (Mik.)
	400 g	
	600 g	
A 6 - Fisk	250 g	80% (Mik.)
	350 g	
	450 g	
A 7 - Drikkevarer	1 kop (ca. 120 ml)	100% (Mik.)
	2 kopper (ca. 240 ml)	
	3 kopper (ca. 360 ml)	
A 8 - Popcorn	50 g	100% (Mik.)
	100 g	

### 4.10 Hurtig madlavning

1. I ventetilstand skal du trykke på "Start/+30 Sec./Confirm"-tasten for at lave mad med 100% effektiveau i 30 sekunder. Hvert tryk på den samme tast kan øges i 30 sekunder. Den længste tilberedningstid er 95 minutter.
2. Under mikrobølgeovn, grill, kombinationskogning og afrimning efter tidsproces, tryk på "Start/+30 Sec./Confirm" for at øge tilberedningstiden.

3. Under tilstande med automatisk menu og afrimning efter vægt kan tilberedningstiden ikke øges ved at trykke på "Start/+30 Sec./Confirm".

4. I ventetilstand skal du dreje "Time / Weight / Auto" til venstre for at vælge tilberedningstiden. Når du har justeret tilberedningstiden, skal du trykke på "Start/+30 Sec./Confirm" for at starte mikrobølgeovnskogning med 100% strømforsyning.

### 4.11 Barnelås-funktion

**Lås:** I ventetilstand skal du trykke på "STOP/Clear" i 3 sekunder for at gå ind i børnesikrings-tilstanden, og det aktuelle klokkeslæt vises, hvis tiden er indstillet, ellers vises skærmen "🔒".

**Forlad lås:** I låst tilstand skal du trykke på "STOP/Clear" i 3 sekunder, låsen frigives.

### 4.12 Spørgfunktion

1. I madlavningstilstande med mikrobølge eller grill og kombination. Tryk på "Microwave" eller "Grill/Comb.", Den aktuelle strøm vises i 3 sekunder.
2. Hvis uret er indstillet, skal du trykke på "Kitchen Timer/Clock" under tilberedningstilstand for at kontrollere det aktuelle tidspunkt. Det vises i 3 sekunder.

### 4.13 Specifikation

1. Hvis døren åbnes under tilberedningsprocessen, skal du lukke døren og derefter trykke på "Start/+30 Sec./Confirm" for at fortsætte tilberedningen.
2. Når tilberedningsprogrammet er indstillet, nedtrykkes "Start/+30 Sec./Confirm" ikke i 1 minut. Den aktuelle tid vil blive vist. Timeren slettes.
3. Summeren lyder en gang ved effektivt tryk, ineffektivt tryk giver ingen respons.

## 5 Madlavningstips

Følgende faktorer kan påvirke tilberedningsresultatet:

### Madarrangement

Placer tykkere områder mod ydersiden af tallerkenen, den tyndere del mod midten, og spred den jævnt. Overlap ikke, hvis det er muligt.

### Tilberedningstidens længde

Begynd at lave mad med en kort tidsindstilling, evaluer den efter, at den er udløbet, og forlæng den efter det aktuelle behov. Overtilberedning kan resultere i røg og forbrændinger.

### Tilbered maden jævnt

Mad som kylling, hamburger eller bøf skal vendes en gang under madlavning.

Afhængig af fødevarerens type, hvis relevant, omrøres den udefra til midten af skålen en eller to gange under tilberedningen

### Lad den stå lidt tid

Efter tilberedningstiden er udløbet, lad fødevarerne stå i ovnen i et tilstrækkeligt tidsrum, hvilket gør det muligt for den at afslutte sin kogecyklus og afkøle den gradvis

### Om maden er færdig

Madens farve og hårdhed hjælper med at afgøre, om det er gjort, dette inkluderer:

- Damp kommer ud fra alle dele af maden, ikke kun fra kanten
- Samlinger af fjerkræ kan flyttes let
- Svinekød eller fjerkræ viser ingen tegn på blod
- Fisk er uigennemsigtig og kan let skives med en gaffel

### Bruningstallerken

Når du bruger en bruningstallerken eller en selvopvarmningsbeholder, skal du altid placere en varmebestandig isolering såsom en porcelænsplade under den for at forhindre beskadigelse af drejeskiven og den roterende ring.

### Mikrobølgesikker plastfolie

Når madlavning med et højt fedtindhold tilberedes, må du ikke lade plastfolien komme i kontakt med mad, da det kan smelte

### Mikrobølgeovnsikkert plastikogegrej

Noget mikrobølgesikkert plastikogegrej er muligvis ikke egnet til madlavning af mad med et højt fedtindhold og sukkerindhold. Forvarmningstiden, der er angivet i instruktionsmanualen til skålen, må heller ikke overskrides.

## 6 Retningslinjer for redskaber

### 6.1 Materialer, du kan bruge eller skal undgå i mikrobølgeovn



Personskader. Det er farligt for andre end en kompetent person at udføre enhver service eller reparation, der involverer fjernelse af et dæksel, der giver beskyttelse mod udsættelse for mikrobølgeenergi.

Se instruktionerne om "Materialer, du kan bruge eller skal undgå i mikrobølgeovn." Der kan være visse ikke-metalliske redskaber, som ikke er sikre at bruge til mikrobølgeovn. Hvis du er i tvivl, kan du teste det pågældende redskab efter proceduren herunder.

#### Redskabstest:

1. Fyld en mikrobølgesikker beholder med 1 kop koldt vand (250 ml) sammen med det pågældende redskab.
2. Kog med maksimal effekt i 1 minut.
3. Mærk forsigtigt redskabet. Hvis det tomme redskab er varmt, skal du ikke bruge det til mikrobølgeovnskogning.
4. Må ikke overstige 1 minuts tilberedningstid.

Materialer, du kan bruge i din mikrobølgeovn	
Køkkenudstyr	Bemærkninger
Sølvpapir	Kun afskærmning. Små glatte stykker kan bruges til at dække tynde dele af kød eller fjerkræ for at forhindre overkogning. En lysbue kan opstå, hvis folien er for tæt på ovnens vægge. Folien skal være mindst 2,5 cm væk fra ovnens vægge.
Bruningstallerken	Følg producentens instruktioner. Bunden af bruningsskålen skal være mindst 5 mm over drejeskiven. Forkert brug kan forårsage, at drejeskiven går i stykker.
Tallerkener	Kun mikroovns sikre tallerkener. Følg producentens instruktioner. Brug ikke tallerkener, der er knækkede eller skår i.
Glaskander	Fjern altid låget. Brug kun til at opvarme mad, indtil den bare er varm. De fleste glaskrucker er ikke varmebestandige og kan gå i stykker.
Glas	Kun varmebestandige ovnglassvarer. Kontrollér at der ikke er skader fra transporten. Brug ikke tallerkener, der er knækkede eller skår i.
Ovn-kogeposer	Følg producentens instruktioner. Luk ikke med klemmer. Lav spalter, så dampen slipper ud.
Papirtallerkener og -kopper	Brug kun til kortvarig madlavning/opvarmning. Lad ikke ovnen være uden opsyn, mens du laver mad.
Papirhåndklæder	Brug til at dække mad til genopvarmning og absorbering af fedt. Brug kun under opsyn til en kortvarig madlavning.
Pergamentpapir	Brug som dæksel for at forhindre sprøjtning eller en indpakning til dampning.
Plast	Kun mikroovns sikre tallerkener. Følg producentens instruktioner. Bør være mærket "Mikrobølgesikker". Nogle plastbeholdere blødgøres, da maden indeni bliver varm. "Kogeposer" og tæt lukkede plastikposer skal være spaltede, gennemborede eller udluftede som anført i pakken.

## 6 Retningslinjer for redskaber

Plastfilm	Kun mikroovnsikre tallerkener. Brug til at dække mad under madlavning for at fastholde fugt. Lad ikke plastfolien røre mad.
Termometre	Kun mikrobølgeovn-sikker (kød- og sukkertermometre).
Vokspapir	Brug som dæksel for at forhindre sprøjtning og bevare fugtigheden.
<b>Materialer, du bør undgå i din mikrobølgeovn</b>	
Aluminiumsbakker	Kan forårsage lysbue. Overfør mad til mikrobølgesikkert fad.
Madkarton med metalhåndtag	Kan forårsage lysbue. Overfør mad til mikrobølgesikkert fad.
Metal- eller metaltrimmede redskaber	Metal beskytter maden mod mikrobølgeenergi. Metalbeklædning kan forårsage lysbue.
Metal klembånd	Kan forårsage lysbue og kan forårsage brand i ovnen.
Papirsposer	Kan forårsage brand i ovnen.
Plastskum	Plastskum kan smelte eller forurene væsken indeni, når den udsættes for høj temperatur.
Træ	Træ vil tørre ud, når det bruges i mikrobølgeovnen og kan deles eller revne.

## 7 Rengøring og vedligeholdelse

### 7.1 Rengøring



**ADVARSEL:** Brug aldrig benzin, opløsnings- eller sliberensmidler eller hårde børster til rengøring af apparatet.



**ADVARSEL:** Nedsænk ikke apparatet eller dets strømkabel i vand eller andre væsker.

1. Sluk for apparatet og tag stikket ud af stikkontakten.
2. Vent til apparatet er kølet helt af.
3. Hold indersiden af ovnen ren. Tør af med en fugtig klud, når der stænk af mad eller spildt væske klæber på apparatets vægge. Et mildt rengøringsmiddel kan bruges, hvis apparatet bliver meget snavset. Undgå at bruge spray og andre hårde rengøringsmidler, da de kan forårsage pletter, mærker og uigennemsigtighed på dørens overflade.

4. Apparatets ydre overflader skal rengøres med en fugtig klud. Lad ikke vand trænge ind fra ventilationsåbninger for at forhindre beskadigelse af betjeningsdelene i apparatet.
5. Aftør begge sider af døren og glasset, dørpakninger og dele i nærheden af pakningerne ofte med en fugtig klud for at fjerne de overfyldte og stænkende pletter. Brug ikke aggressive rengøringsmidler.
6. Lad ikke kontrolpanelet blive vådt. Rengør med en blød fugtig klud. Lad døren til apparatet være åben for at forhindre utilsigtet betjening under rengøring af kontrolpanelet.
7. Hvis der samles tåge inde i eller omkring apparatets dør, skal du tørre med en blød klud. Dette kan forekomme, når mikrobølgeovnen betjenes under forhold med høj fugtighed. Dette er normalt.
8. I nogle tilfælde skal du muligvis fjerne glasbakken til rengøring. Vask bakken i varmt sæbevand eller i en opvaskemaskine.



## 7 Rengøring og vedligeholdelse

9. Rulleringen og apparatets gulv skal rengøres regelmæssigt for at undgå overdreven støj. Det ville være tilstrækkeligt at aftørre den nedre overflade af apparatet med et mildt rengøringsmiddel. Rulleringen kan vaskes i varmt sæbevand eller i en opvaskemaskine. Når du fjerner rulleringen fra apparatets indre gulv til rengøring, skal du sikre dig, at du installerer den i den rigtige position, mens du udskifter den.
10. For at fjerne den dårlige lugt i dit apparat skal du lægge et glas vand og juice og skorpe af en citron i en dyb skål, der er egnet til brug i mikrobølgeovn, og betjene apparatet i 5 minutter i mikrobølgetilstand. Aftør grundigt og tør med en blød klud.
11. Kontakt den autoriserede service, når apparatets lampe skal udskiftes.
12. Apparatet skal rengøres regelmæssigt, og eventuelle madaflejringer fjernes. Hvis apparatet ikke holdes rent, kan dette forårsage overfladefejl, der kan påvirke apparatets livscyklus negativt, og det kan muligvis medføre risiko.
13. Bortskaf ikke dette apparat med husholdningsaffald; gamle ovne skal bortskaffes til specialaffaldscentre leveret af kommunerne.
14. Når apparatet bruges til grillfunktion, kan der forekomme en lille mængde røg og lugt, som forsvinder efter en bestemt brugstid.

### 7.2 Opbevaring

- Hvis du ikke har til hensigt at bruge apparatet i lang tid, skal du opbevare det omhyggeligt.
- Sørg for at apparatet er frakoblet, afkølet og helt tørt.
- Installer apparatet på et godt ventileret, tørt sted.
- Hold apparatet utilgængeligt for børn.

### 7.3 Håndtering og transport

- Bær apparatet i sin originale emballage under håndtering og transport.
- Apparatets emballage beskytter den mod fysiske skader.
- Anbring ikke tunge belastninger på apparatet eller på emballagen. Apparatet kan blive beskadiget.

## 8 Fejlfinding

Normal	
Mikrobølgeovn forstyrrer TV-modtagelse	Radio- og TV-modtagelse kan blive forstyrret, når mikrobølgeovnen kører. Det ligner interferensen forårsaget af små elektriske apparater, som mixer, støvsuger og elektrisk ventilator. Det er normalt.
Ovnens lys dæmpes	I mikrobølgeovn med lav effekt kan ovnens lys dæmpes. Det er normalt.
Damp ophobes på døren, hvor varm luft kommer ud af ventilationsåbninger	Under madlavningen kan der opstå damp fra maden. Det meste af denne damp vil komme ud af ventilationsåbninger. Men noget kan samle sig på et køligt sted som ovndøren. Det er normalt.
Ovn startede ved et uheld uden mad i den.	Det er ikke tilladt at køre apparatet uden mad indeni. Det er meget farligt.

Problem	Mulige årsager	Løsning
Ovnen kan ikke startes.	1) Strømkablet er ikke tilsluttet korrekt.	Træk stikket ud. Tilslut derefter igen efter 10 sekunder.
	2) Sikringen er gået, eller HFI-relæet er aktiveret.	Udskift sikring eller nulstil afbryder (repareret af professionelt personale i vores virksomhed).
	3) Problemer med stikkontakt.	Test stikkontakten med andre elektriske enheder.
Ovnen varmer ikke	4) Lågen er ikke lukket korrekt.	Luk døren ordentligt.

# Lue tämä ohjekirja ennen kuin alat käyttämään tuotetta!

Hyvä asiakkaamme,

kiitos että ostit Beko-tuotteen. Toivomme, että saat parhaat tulokset tuotteestamme, joka on valmistettu korkealaatuiseksi ja viimeisintä tekniikkaa käyttämällä. Lue koko tämä käyttöohje ja muut mukana toimitetut asiakirjat huolellisesti ennen tuotteen käyttöä ja säilytä se tulevaa tarvetta tulevaa käyttöä varten. Jos luovutat tuotteen jollekin toiselle, anna mukaan myös tämä ohjekirja. Noudata kaikkia varoituksia ja tietoja käyttöohjeessa.

## Symbolien tarkoitus

Seuraavia symboleita on käytetty käyttöohjeen eri osissa:

	Tärkeää tietoa ja hyödyllisiä vinkkejä koskien tuotteen käyttöä.
	Varoitukset koskien hengenvaarallisia ja omaisuusvahinkoja koskevia tilanteita.
	Varoitus kuumista pinnoista.
	Varoitus koskien sähköiskua.
	Varoitus koskien tulipaloo.



Tämä tuote on valmistettu ympäristöystävällisellä tavalla nykyaikaisessa tehtaassa luontoa vahingoittamatta.

# 1 Tärkeitä turvallisuus- ja ympäristö- ohjeita

## Tärkeitä turvallisuusohjeita, lue huolellisesti ja säilytä tulevaa tarvetta varten

### 1.1 Turvallisuusvaroitukset

Tämä osio sisältää turvallisuusohjeita, jotka auttavat suojautumaan tulipalolta, sähköiskulta, altistumiselta mikroaaltoenergialle, henkilö- ja omaisuusvahingoilta. Näiden ohjeiden noudattamatta jättäminen johtaa takuun raukeamiseen.

- Beko Mikroaaltouunit noudattavat voimassa olevia turvas-tandardeja, siksi jälleenmyyjän, huoltokeskuksen tai valtuutetun asiantuntijan on korjattava tai mahdollisesti vaurioitunut laite tai virtajohto, vaaratilanteiden välttämiseksi. Virheellinen tai valtuuttamaton korjaustyö voi olla vaarallista ja aiheuttaa vaaratilanteita käyttäjälle.
- Tämä laite on tarkoitettu kotitalous- ja vastaavaan käyttöön, kuten
  - Henkilökunnan keittiötiloissa kaupoissa, toimistoissa sekä muissa työympäristöissä;
  - Maatiloilla
  - hotellien, ja muiden asunto-ympäristöjen asukkaat
  - Aamiais- ja vastaavan kaltaisten majoitusten keskuudessa.
- Sitä ei ole suunniteltu teollisuus- tai laboratoriokäyttöön.
- Älä yritä käynnistää uunia, jos sen luukku on auki, voit altistua haitalliselle mikroaaltoenergialle. Turvalukkoja ei saa koskaan poistaa käytöstä tai muuttaa.
- Mikroaaltouuni on tarkoitettu elintarvikkeiden ja juomien lämmittämiseen. Ruokien tai vaatteiden kuivaus ja lämpötyynyjen, tossujen, sienien, kosteiden vaatteiden ja vastaavien lämmitys uunissa voi aiheuttaa henkilö- tai laitevahinkoja, räjähdysten tai tulipalon.
- Älä aseta mitään esineitä laitteen etuosan ja luukun väliin. Älä anna lika- tai puhdistusainejäämien kerääntyä sulkemispinnoille.
- Valtuutetun henkilön/huolto- liikkeen on suoritettava kaikki huoltotyöt, joihin liittyy mikroaaltoenergialle altistumiselle suo- jaavien suojien irrottaminen. Mikä tahansa muu toiminta on vaarallista.

# 1 Tärkeitä turvallisuus- ja ympäristö- ohjeita

- Tuote on tarkoitettu ruoan keittämiseen, lämmittämiseen ja sulattamiseen. Sitä ei saa käyttää kaupalliseen tarkoitukseen.
- Uunia ei ole tarkoitettu elävien olentojen kuivaamiseen.
- Älä käytä laitetta vaatteiden tai keittiöpyyhkeiden kuivaamiseen.
- Älä käytä laitetta ulkona, kylpyhuoneessa, kosteissa tiloissa tai paikoissa, joissa se voi kastua.
- Emme hyväksy vastuuta tai takuuvaatimuksia vaurioista, jotka johtuvat laitteen väärinkäytöstä tai virheellisestä käsittelystä.
- Älä koskaan yritä purkaa laitetta. Emme hyväksy takuuvaatimuksia vaurioista, jotka johtuvat laitteen tarkoituksenvastaisesta käsittelystä.
- Käytä vain valmistajan suosittelemissa tai alkuperäisiä varaosia.
- Älä jätä laitetta ilman valvontaa käytön aikana.
- Käytä laitetta vakaalla, tasaisella, puhtaalla, kuivalla ja luistamattomalla pinnalla.
- Tätä laitetta ei saa ohjata ulkoisella kelloajastimella tai kauko-ohjaimella.
- Puhdista kaikki osat ennen laitteen ensimmäistä käyttökertaa. Katso ohjeet osassa "Puhdistus ja kunnossapito".
- Käyttö laitetta vain sen käyttötaroituksen mukaisesti käyttöohjeissa kuvatulla tavalla.
- Laite kuumentuu käytön aikana. Varo koskemasta uunin sisällä oleviin kuumiin osiin.
- Älä käytä uunia tyhjänä.
- Ruoanvalmistusvälineet voivat kuumentua lämmitettävästä ruoasta niihin siirtävästä lämmöstä johtuen. Käytä tarvittaessa käsiineitä ruoanvalmistusvälineiden käsittelyssä.
- Ruoanvalmistusvälineet tulee tarkastaa mikroaaltouunissa käyttöön soveltuvuuden varmistamiseksi.
- Älä aseta uunia liedon tai muun lämpöä muodostavan laitteen päälle. Muutoin se voi vaurioitua ja takuu mitätöityä.
- Höyryä voi syntyä, kun kansi tai folio avataan ruoan valmistamisen jälkeen.
- Laite ja sen pinnat voivat olla erittäin kuumia sen käytön aikana.

# 1 Tärkeitä turvallisuus- ja ympäristö- ohjeita

- Luukku ja sen lasi voivat olla erittäin kuumia sen käytön aikana.
- Varmista, että virransyöttö vastaa laitteen arvokilvessä esitettyjä tietoja.
- Ainoa tapa irrottaa laite virransyötöstä on irrottaa virtapistoke pistorasiasta.
- Liitä laite vain maadoitettuun pistorasiaan.
- Älä käytä laitetta, jos virtajohto tai itse laite on vahingoittunut.
- Älä käytä laitetta jatkojohdon kanssa.
- Älä koskaan koske laitteeseen tai sen virtapistokkeeseen kosteilla tai märillä käsillä.
- Laite on sijoitettava niin, että virtapistokkeeseen päästään käsiksi.
- Älä aseta virtajohtoa puristuksiin, taivuta sitä ja estä sen hankaantumisen teräviä reunoja vastaan. Pidä virtajohto etäällä kuumista pinnoista ja avotulesta.
- Varmista, että virtajohtoa ei voida irrottaa vahingossa tai että siihen ei voida kompastua laitteen käytön aikana.
- Irrota laite virransyötöstä, ennen sen puhdistamista ja kun se ei ole käytössä.
- Älä irrota laitteen virtajohtoa virransyötöstä siitä vetämällä tai kääri sitä laitteen ympärille.
- Älä upota laitetta, virtajohtoa tai virtapistoketta veteen tai muihin nesteisiin. Älä pidä sitä juoksevan veden alla.
- Syttymisvaaran vuoksi uunia on pidettävä silmällä, jos ruokaa lämmitetään muovi- tai paperiastioissa.
- Irrota metallikiinnikkeet paperisista tai muovisista säilytysastioista/pusseista ennen niiden laittamista uuniin.
- Jos huomaat savua, sammuta laite, jos tämä on turvallista tai irrota verkkopistoke ja pidä luukku kiinni, jotta liekit tukahtuvat.
- Älä käytä mikroaaltouunia varastointitarkoitukseen. Älä jätä paperiesineitä, keittomateriaaleja tai ruokaa uunin sisään, kun sitä ei käytetä.
- Vauvojen pullojen ja ruokapurkkien sisältö tulee ravistella ja sekoittaa ja niiden lämpötila on tarkastettava ennen käyttöä palovammojen välttämiseksi.

# 1 Tärkeitä turvallisuus- ja ympäristö- ohjeita

- Tämä laite on Ryhmän 2 Luokan B ISM laite. Ryhmään 2 kuuluu kaikki ISM (teollisuuden, tieteen ja lääketieteen) laitteet, joissa luodaan radiotaajuusenergiaa tarkoituksella ja/tai sähkömagneettisen säteilyn luomiseen materiaalien käsittelyyn ja kipinäeroosiolaitteille.
  - Luokan B laite sopii käyttöön kotitalouksissa ja tiloissa, joissa se liitetään suoraan pienjänniteverkkoon.
  - Älä käytä paistoöljyä uunissa. Kuuma öljy voi vaurioittaa uunin komponentteja ja materiaaleja, ja johtaa palovammoihin.
  - Lävistä elintarvikkeet paksulla kuorella, kuten perunat, kesäkurpitsat, omenat ja kastanjat.
  - Laite on sijoitettava niin, että sen takaosa on seinää päin.
  - Kiinnitä kääntöpöytä ennen laitteen siirtämistä, sen vaurioitumisen välttämiseksi.
  - Kuorimattomia kananmunia tai kokonaisia kovaksi keitettyjä munia ei saa kuumentaa mikroaaltouunissa, koska ne voivat räjähtää vielä kypsentämisen päätyttyäkin.
- VAROITUS:** Jos uuninluukku tai luukun tiivisteet ovat vaurioituneet, uunia ei saa käyttää ennen kuin ammattihenkilö on sen korjannut.
- VAROITUS:** Huolto- tai korjaustoimenpiteet, jotka edellyttävät mikroaaltoenergialta suojaavan kannen poistamista, ovat vaarallisia muille kuin ammattihenkilölle.
- VAROITUS:** Nesteitä ja muita ruokia ei saa kuumentaa umpinaisissa astioissa räjähdysvaaran vuoksi.
- Uuni tulee puhdistaa säännöllisesti ja poistaa kaikki ruokajäämät.
  - Uunin yläpinnan yläpuolella tulee olla vähintään 20 cm:n vapaa tila.
  - Älä ylikeitä ruokaa, se voi johtaa tulipaloon.
  - Älä käytä kemikaaleja ja höyrypuhdistinta laitteen puhdistamiseen.
  - Ole erittäin varovainen, kun laitetta käytetään lasten ja sellaisten henkilöiden läheisyydessä, joiden fyysinen, aistillinen tai henkinen kyky on rajoitettu.

# 1 Tärkeitä turvallisuus- ja ympäristö- ohjeita

- Tätä laitetta ei saa käyttää alle 8 vuotiaat lapset ja henkilöt joiden fyysiset, aistinvaraiset tai henkiset kyvyt ovat alentuneet, tai joilla ei ole riittävää kokemusta tai tietoa, paitsi jos heidän turvallisuudesta vastaava henkilö valvoo tai neuvoo heitä laitteen käytössä. Älä anna lasten leikkiä laitteella. Lapset ilman valvontaa eivät saa suorittaa puhdistus- tai kunnossapitotoimintoja.
- **Tukehtumisvaara!** Pidä kaikki pakkausmateriaalit poissa lasten ulottuvilta.
- Johtuen grilli- ja yhdistelmätiloista syntyvästä korkeasta lämmöstä, lapset saavat käyttää näitä tiloja vain aikuisen valvonnassa.
- Pidä tuote ja sen virtajohto alle 8-vuotiaiden lasten ulottumattomissa.
- Älä valmista ruokaa suoraan lasialustalla. Aseta ruoka sopivaan keittoastiaan ennen sen sijoittamista uuniin.
- Metallisia ruoka- ja juomasäiliöitä ei saa käyttää mikroaaltokypsennykseen. Tämä voi johtaa kipinöintiin.
- Mikroaaltouunia ei saa asentaa kaappiin, joka ei ole asennusohjeiden mukainen.
- Mikroaaltouuni on yksinomaan upotettava malli.
- Jos upotettavia laitteita käytetään yli 900 mm:n korkeudella lattiasta, varo ettei kääntöpöytä siirry pois paikaltaan, kun säiliöitä poistetaan laitteesta.
- Jos sisäänrakennettava kaappi on varustettu ovelta, on tuotetta käytettävä ovi avattuna.

## 1.2 Sähkö- ja elektroniikkaromua koskevan direktiivin (WEEE) vaatimustenmukaisuus ja tuotteen hävittäminen:

Tämä tuote noudattaa Euroopan unionin sähkö- ja elektroniikkaromua koskevaa direktiiviä 2012/19/EY (WEEE-direktiivi). Tässä tuotteessa on sähkö- ja elektroniikkalaitteiden (WEEE) kierrätysymboli.



Tämä symboli ilmoittaa, että tuotetta ei tule sen käyttöänsä päättyessä hävittää tavanomaisen kotitalousjätteen mukana. Tuote tulee toimittaa viralliseen sähkö- ja elektroniikkalaitteiden kierrätyspisteeseen. Tietoja paikallisista kierrätyspisteistä saat paikallisilta viranomaisilta ja myymälästä, josta tuote on ostettu. Kotitalouksilla on tärkeä rooli vanhojen laitteiden keräämisessä ja kierrättämisessä. Kun hävität käytetyt laitteet vaatimusten mukaisella tavalla olet mukana torjumassa tällaisista laitteista aiheutuvia ympäristö- ja terveyshaittoja.



# 1 Tärkeitä turvallisuus- ja ympäristö- ohjeita

## 1.3 RoHS-direktiivin vaatimustenmukaisuus:

Valitsemasi tuote noudattaa Euroopan unionin tiettyjen vaarallisten aineiden käytön rajoittamisesta sähkö- ja elektroniikkalaitteissa koskevaa direktiiviä 2011/65/EY (RoHS-direktiivi). Laitte ei sisällä direktiivissä määritettyjä haitallisia ja kiellettyjä materiaaleja.

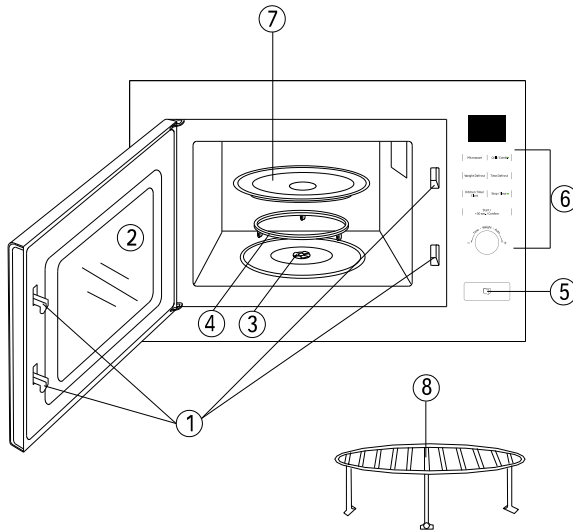
## 1.4 Pakkaustiedot



Tuotteen pakkaus on valmistettu kierrätettävistä materiaaleista paikallisen lainsäädännön mukaisesti. Älä hävitä pakkausmateriaaleja yhdessä muiden kotitalousjätteiden tai muiden jätteiden kanssa. Vie pakkausmateriaalit paikallisten viranomaisten ilmoittamiin keräyspisteisiin.

## 2 Mikroaaltouuni

### 2.1 Yleiskuva



1. Luukun turvalukitusjärjestelmä
2. Uunin ikkuna
3. Pyöritysalustan akseli
4. Pyöritysalustan tuki
5. Luukun avaamispainike
6. Ohjauspaneeli
  - Mikroaalto
  - Grillaus/ yhdistelmä.
  - Sulatus painon mukaan
  - Sulatus ajan mukaan
  - Keittiö ajastinkello
  - Pysäytä / tyhjennä
  - Käynnistä/+30 s./vahvista
  - Aika / Paino / Auto ( painike)
7. Lasialusta
8. Grilliritilä ( ei voida käyttää mikroaaltotoiminnossa ja on sijoitettava lasialustalle )

### 2.2. Tekniset tiedot

<b>Malli</b>	MGB 20212 B
<b>Virrankulutus</b>	230 V~50 Hz, 1270 W (Mikroaalto) 1000 W (Grilli)
<b>Teho</b>	800 W
<b>Käyttötaajuus</b>	2450 MHz
<b>Ulkoiset mitat (Kx Lx S) mm</b>	387x594x333
<b>Uunin tilavuus</b>	20 litraa
<b>Nettopaino</b>	16.5 kg
<b>Väri</b>	Musta

Oikeus teknisiin ja muotoilun muutoksiin pidätetään.

Merkinnät laitteessa tai muissa asiakirjoissa ilmoitetut arvot ovat arvoja, jotka on saatu laboratorio-olosuhteissa olennaisten standardien mukaan. Nämä arvot voivat vaihdella laitteen käyttö- ja ympäristöolosuhteiden mukaan. Tehoarvot on testattu 230 V virralla.

## 3 Asennus ja liitäntä

### 3.1 Asennusohjeet

- Seuraa erityisiä asennusohjeita.
- Laite voidaan asentaa 60 cm:n levyiseen, seinä-asennettuun kaappiin.
- Laite on varustettu pistokkeella ja se on liitettävä oikein asennettuun maadoitettuun pistorasiaan.
- Verkkojännitteen tulee vastata arvokilvessä annettua jännitettä.
- Ainoastaan pätevä huoltohenkilö saa asentaa pistokkeen ja vaihtaa liitäntäjohdon. Jos pistoke ei ole enää käden ulottuvilla asentamisen jälkeen, laitteeseen on asennettava irtikytkentälaitte asennuspuolelle jättäen vähintään 3 mm:n etäisyys pintojen väliin.



**VAROITUS:** Sovittimia, monitiiliitäntöjä ja jatkojohtoja ei saa käyttää. Ylikuormitus voi johtaa tulipaloon.

### 3.2 Sähkökytkentä

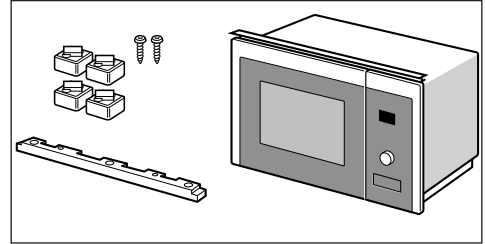
- Laite on varustettu pistokkeella ja se on liitettävä oikein asennettuun maadoitettuun pistorasiaan.
- Vain valtuutettu sähköasentaja, joka noudattaa voimassa olevia määräyksiä, saa asentaa pistokkeen tai vaihtaa liitäntäkaapelin.
- Jos pistoke ei ole enää käden ulottuvilla asentamisen jälkeen, laitteeseen on asennettava irtikytkentälaitte asennuspuolelle niin, että pintojen väliin jää vähintään 3 mm:n rako.
- Kosketussuojaus on varmistettava asennuksen yhteydessä.

### 3.3 Laite seinäasennetussa yksikössä

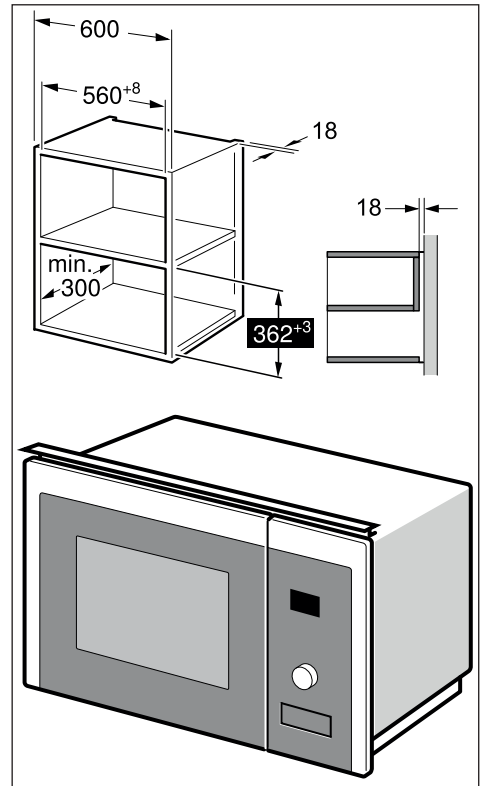
Kaapin takaseinä ei saa olla laitteen takana.

Vähimmäisasennuskorkeus: 850 mm. Tuuletus- ja ilmanottoaukkoja ei saa peittää.

Osat



### Laite seinäasennetussa yksikössä



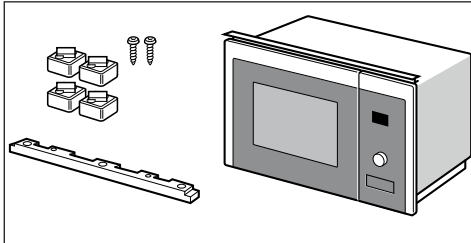
## 3 Asennus ja liitäntä

### 3.4 Laite korkeassa yksikössä

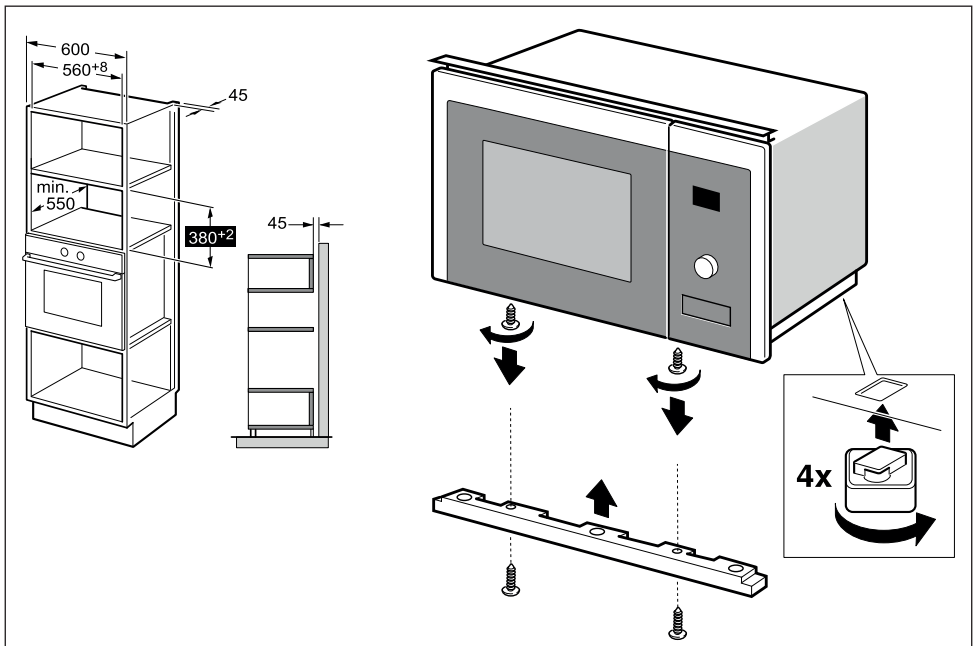
Kaapin takaseinä ei saa olla laitteen takana.

Vähimmäisasennuskorkeus: 850 mm. Tuuletus- ja ilmanottoaukkoja ei saa peittää.

#### Osat



#### Laite korkeassa yksikössä

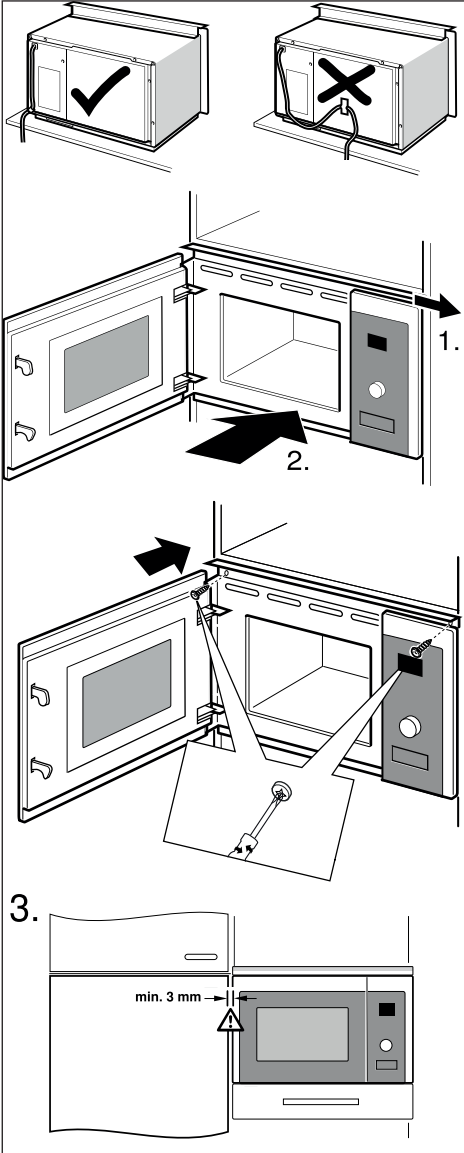


## 3 Asennus ja liitäntä

### 3.5 Uunin asennus

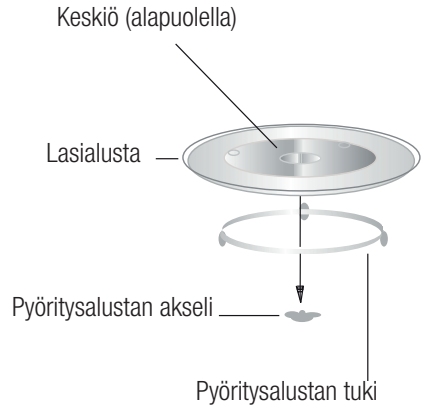


**VAROITUS:** Älä taivuta virtajohtoa, äläkä anna sen jäädä esineiden väliin.



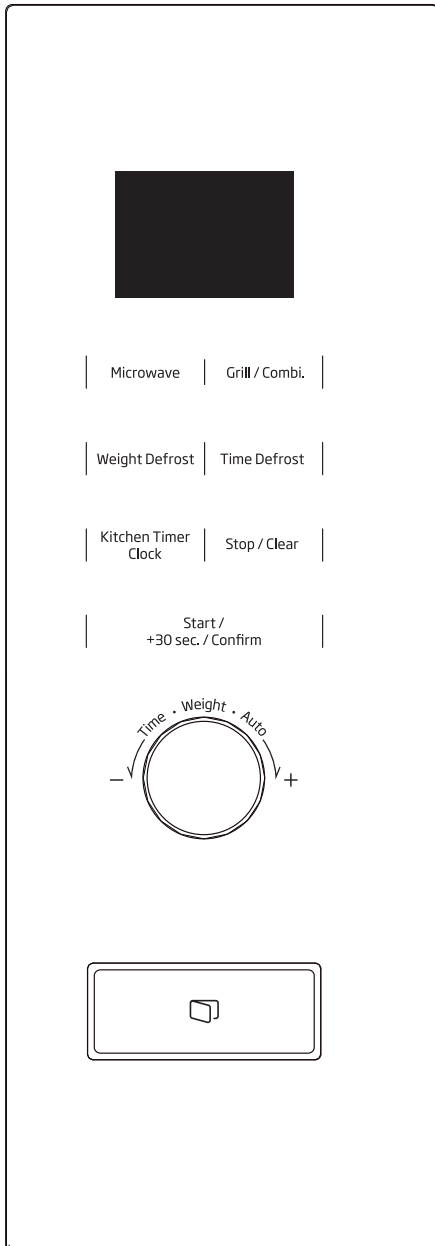
### 3.6 Pyöritysalustan asennus

- Älä koskaan aseta lasialustaa ylösalaisin. Lasialustan pyöriminen ei saa koskaan estyä.
- Sekä lasialustaa, että pyöritysrengaskokonaisuutta on aina käytettävä kuumennettaessa.
- Kaikki ruoat ja astiat asetetaan aina lasialustalle kuumentamista varten.
- Jos lasialusta tai pyöritysalustan tuki halkeaa tai rikkoutuu, ota yhteys lähimpään valtuutettuun huoltoliikkeeseen.



## 4 Käyttö

### 4.1 Ohjauspaneeli



### 4.2 Kellon asetus

Kun mikroaaltouunin virta on päällä, uunin näytöllä vilkkuu "0:00" ja äänimerkki kuuluu kerran. Uuni siirtyy valmiustilaan.

1. Paina "Kitchen Timer/Clock" kahdesti ja tuntinumerot alkavat vilkkua.
2. Kierrä "Time / Weight / Auto" tuntien säätämiseksi. Arvon tulee olla välillä 0 ja 23.
3. Paina "Kitchen Timer/Clock" ja minuuttinumerot alkavat vilkkua.
4. Kierrä "Time / Weight / Auto" minuuttien säätämiseksi. Arvon tulee olla välillä 0 ja 59.
5. Päätä aika-asetus painamalla "Kitchen Timer/Clock". ":" symboli vilkkuu ja aika näytetään.



Jos kelloa ei ole asetettu, se ei toimi, kun virta kytketään.

### 4.3 Ruoanvalmistus mikroaaltouunissa

1. Paina "Microwave" näppäintä kerran, ja "P100" näytetään.
2. Paina "Microwave" näppäintä uudelleen tai kierrä "Time / Weight / Auto" halutun tehon valitsemiseksi. Joka kerta kun näppäintä painetaan, "P100", "P80", "P50", "P30" tai "P10" näytetään vuorotellen.
3. Vahvasta haluttu teho painamalla "Start/+30 Sec./Confirm".
4. Kierrä "Time / Weight / Auto" valmistusajan asettamiseksi välillä 0:05 ja 95:00.
5. Paina "Start/+30 Sec./Confirm" uudelleen valmistuksen aloittamiseksi.
6. Aikalasku näytöllä käynnistyy.
7. Äänimerkki kuuluu, kun toiminto on valmis.

## 4 Käyttö

Ajan säätövaiheet koodauspainikkeella on esitetty alla:

Keston asetus	Lisäysmäärä
0-1 minuuttia	5 sekuntia
1-5 minuuttia	10 sekuntia
5-10 minuuttia	30 sekuntia
10-30 minuuttia	1 minuutti
30-95 minuuttia	5 minuuttia

### Mikroaaltouunin tehokaavio

Mikroaaltouunin teho	Korkea	Keski-korkea	Keski.	Keski-Matala	Matala
Näyttöruutu	P100	P80	P50	P30	P10

### 4.4 Grilli tai yhdistelmävalmistus

1. Paina "Grill/Combi." kerran, näytöllä näkyy "G".
2. Paina toistuvasti tai kierrä "Time / Weight / Auto" halutun tehon valitsemiseksi ja "G", "C-1" tai "C-2" näytetään.
3. Vahvista teho painamalla "Start/+30 Sec./Confirm".
4. Kierrä "Time / Weight / Auto" kypsennysajan asettamiseksi. (Maksimikypsennysaika on 95 minuuttia)
5. Paina "Start/+30 Sec./Confirm" uudelleen kypsennyksen aloittamiseksi.
6. Aikalasku näytöllä käynnistyy.
7. Äänimerkki kuuluu, kun toiminto on valmis.

### Yhdistelmätehon ohjeet

Ohjelma	Näyttöruutu	Mikroaaltouunin teho	Grillin teho
Grilli	G	0 %	100 %
Yhd.1	C-1	55 %	45 %
Yhd.2	C-2	36 %	64 %



Kun grillausajasta on kulunut puolet, uunin merkkiäänä kuuluu kahdesti. Tämä on normaalia. Paremman grillaustuloksen saamiseksi käännä ruoka, sulje luukku ja paina "Start/+30 Sec./Confirm" jatkaaksesi kypsentämistä. Jos toimintoja ei suoriteta, uuni pysyy toiminnassa.

### 4.5 Sulatus painon mukaan

1. Paina "Weight Defrost" kerran, näytöllä näkyy "dEF1".
2. Kierrä "Time / Weight / Auto" ruoan painon asettamiseksi. Painoalue on 100 - 2000 g.
3. Paina "Start/+30 Sec./Confirm" näppäintä sulatuksen aloittamiseksi.
4. Aikalasku näytöllä käynnistyy.
5. Äänimerkki kuuluu, kun toiminto on valmis.



Kun sulatusajasta on kulunut puolet, uunin merkkiäänä kuuluu kahdesti. Tämä on normaalia. Paremman sulatustuloksen saamiseksi käännä ruoka, sulje luukku ja paina "Start/+30 Sec./Confirm" jatkaaksesi sulatusta. Jos toimintoja ei suoriteta, uuni pysyy toiminnassa.

### 4.6 Sulatus ajan mukaan

1. Paina "Time Defrost" kerran, näytöllä näkyy "dEF2".
2. Kierrä "Time / Weight / Auto" kypsennysajan asettamiseksi. Maksimiaika on 95 minuuttia.
3. Paina "Start/+30 Sec./Confirm" näppäintä sulatuksen aloittamiseksi.
4. Aikalasku näytöllä käynnistyy.
5. Äänimerkki kuuluu, kun toiminto on valmis.

## 4 Käyttö



Kun sulatusajasta on kulunut puolet, uunin merkkiään kuuluu kahdesti. Tämä on normaalia. Paremmat sulatustulokset saamiseksi käännä ruoka, sulje luukku ja paina "Start/+30 Sec./Confirm" jatkaaksesi sulatusta. Jos toimintoja ei suoriteta, uuni pysyy toiminnassa.

### 4.7 Monivaihekypsennys

Enintään 2 vaihetta voidaan asettaa. Jos yksi vaiheista on sulatus, tulee se asettaa ensimmäiseksi vaiheeksi automaattisesti. Äänimerkki kuuluu jokaisen vaiheen jälkeen ja seuraava vaihe käynnistyy.



Auto-valikkoa ja pikakypsennystä ei voida asettaa monivaihtoiminnon osaksi.

**Esimerkki:** Jos haluat sulattaa ruokaa viiden minuutin ajan ja kypsentää sitä sen jälkeen 80 %:n mikroaaltouuniteholla seitsemän minuutin ajan,

#### **noudata seuraavia ohjeita:**

1. Paina "Time Defrost" kerran, näytöllä näkyy "dEF2".
2. Kierrä "Time / Weight / Auto" 5 minuutin sulatusajan asettamiseksi.
3. Paina "Microwave" kerran, näytöllä näkyy "P100".
4. Paina "Microwave" toistuvasti, kunnes teho "P80" näytetään;
5. Vahvista painamalla "Start/+30 Sec./Confirm".
6. Kierrä "Time / Weight / Auto" 7 minuutin kypsennysajan asettamiseksi.
7. Paina "Start/+30 Sec./Confirm" kypsennyksen aloittamiseksi.
8. Äänimerkki kuuluu, kun toiminto on valmis.

### 4.8 Keittiöajastin

1. Paina "Kitchen Timer/Clock" kerran, näytöllä näkyy "00:00".
2. Kierrä "Time / Weight / Auto" ajastimen ajan asettamiseksi. (Maksimikypsennysaika on 95 minuuttia)
3. Vahvista painamalla "Start/+30 Sec./Confirm".
4. Aikalasku näytöllä käynnistyy.
5. Äänimerkki kuuluu, kun toiminto on valmis.

### 4.9 Auto-valikko

1. Kierrä valmiustilassa "Time / Weight / Auto" oikealle valikon valitsemiseksi. Näytöllä näkyy "A 1".
2. Kierrä "Time / Weight / Auto" halutun valikon valitsemiseksi, "A 1" - "A 8" näytetään.
3. Vahvista valikko painamalla "Start/+30 Sec./Confirm".
4. Kierrä "Time / Weight / Auto" ruoan painon asettamiseksi.
5. Paina "Start/+30 Sec./Confirm" uudelleen kypsennyksen aloittamiseksi.
6. Aikalasku näytöllä käynnistyy.
7. Äänimerkki kuuluu, kun toiminto on valmis.

#### **Valikon taulukko:**

Valikko	Paino	Teho
A 1 - Pitsa	200 g	100 %(Mik.)
	400 g	
A 2 - Liha	250 g	100 %(Mik.)
	350 g	
	450 g	
A 3 - Vihannes	200 g	100 %(Mik.)
	300 g	
	400 g	



## 4 Käyttö

A 4 - Pasta	50 g (ja 450 g kylmää vettä)	80 %(Mik.)
	100 g (ja 800 g kylmää vettä)	
A 5 - Peruna	200 g	100 %(Mik.)
	400 g	
	600 g	
A 6 - Kala	250 g	80 %(Mik.)
	350 g	
	450 g	
A 7 - Juoma	1 kuppi (n. 120 ml)	100 %(Mik.)
	2 kuppia (n. 240 ml)	
	3 kuppia (n. 360 ml)	
A 8 - Popcorn	50 g	100 %(Mik.)
	100 g	

### 4.1. Pikakypsennys

1. Paina valmiustilassa "Start/+30 Sec./Confirm" näppäintä kypsentämiseksi 100 % tehotasolla 30 sekuntia. Kun samaa painiketta painetaan toistuvasti, aika kasvaa 30 sekuntia. Maksimikypsennysaika on 95 minuuttia.
2. Mikroaalto-, grilli-, yhdistelmäkypsennys- ja sulatus ajan mukaan toiminnossa, paina "Start/+30 Sec./Confirm" kypsennysajan lisäämiseksi.
3. Auto-valikko ja sulatus painon mukaan, kypsennysaika ei voida lisätä painamalla "Start/+30 Sec./Confirm".
4. Kierrä valmiustilassa "Time / Weight / Auto" vasemmalle kypsennysajan valitsemiseksi. Kun kypsennysaika on asetettu, paina "Start/+30 Sec./Confirm" mikroaaltokypsennyksen aloittamiseksi 100 % tehotasolla.

### 4.11 Lapsilukkotoiminto

**Lukitus:** Paina valmiustilassa "STOP/Clear" 3 sekuntia lapsilukkotilan asettamiseksi ja nykyinen aika näytetään, jos aika on asetettu, muutoin näytöllä näkyy "🔒".

**Lukituksesta poistuminen:** Lukitussa tilassa, paina "STOP/Clear" 3 sekuntia, lukitus poistetaan.

### 4.12 Toiminnon pyytäminen

1. Mikroaalto-, grilli- tai yhdistelmäkypsennystilassa. Paina "Microwave" tai "Grill/Combi.", nykyinen teho näytetään 3 sekuntia.
2. Jos kello on asetettu, paina kypsennystilassa "Kitchen Timer/Clock" nykyisen ajan näyttämiseksi. Se näytetään 3 sekuntia.

### 4.13 Määritykset

1. Jos luukku avataan kypsennyksen aikana, sulje luukku ja paina sitten "Start/+30 Sec./Confirm" kypsennyksen jatkamiseksi.
2. Kun kypsennysohjelma on asetettu, "Start/+30 Sec./Confirm" ei paineta 1 minuutin kuluessa. Nykyinen aika näytetään. Asetus peruuntuu.
3. Äänimerkki kuuluu, jos painiketta painetaan kunnolla, muutoin sillä ei ole mitään vaikutusta.

## 5 Ruoanvalmistusvihjeet

Seuraavat tekijät voivat vaikuttaa lopputulokseen:

### Ruoan sijoittelu

Aseta paksummat kohdat astian ulkoreunoille, ohuemmat osat keskelle ja levitä ne tasaisesti. Älä aseta päällekkäin, jos mahdollista.

### Valmistusajan pituus

Aloita kypsennys lyhyellä aika-asetuksella, arvioi uudelleen asetuksen loputtua ja pidennä aikaa tarpeen mukaan. Ylikypsennys saattaa aiheuttaa savua ja ruoan palamista.

### Tasainen kypsennys

Esimerkiksi kana, hampurilainen tai pihvi on käännettävä kerran kypsymisen aikana.

Sekoita ruoka-aineet keskenään ulkoa keskelle kerran pari kypsentämisen aikana.

### Anna ruoan seistä

Jätä ruoka valmistusajan umpeuduttua uuniin tarpeeksi pitkäksi aikaa, sillä ruoka jatkaa kypsymistään ja jäähtyy vähitellen.

### Onko ruoka kypsä

Ruoan väri ja kovuus sekä seuraavassa mainitut seikat auttavat päättämään, onko ruoka kypsä:

- Ruoan kaikista osista eikä vain reunasta tulee höyryä
- Siipikarjan niveliä voi liikuttaa vaivattomasti
- Sianlihassa tai siipikarjassa ei näy verta
- Kala on läpikuultamatonta ja se voidaan viipaloida helposti haarukalla

### Ruskistusastia

Jos käytät ruskistusastiaa tai itsestään kuumenevaa astiaa, aseta sen alle aina kuumuutta kestävä eristin kuten posliinilautanen, jotta pyörivä lautanen ja rengas eivät vahingoittuisi.

### Mikroaallon kestävä muovikääre

Kun kypsennät erittäin rasvapitoisia ruokia, älä anna muovikääreeseen koskettaa ruokaa, sillä kääre saattaa sulaa.

### Mikroaallon kestävät muoviset keittoastiat

Osa mikroaallon kestävästä muoviasiastoista ei välttämättä sovellu rasva- ja sokeripitoisten ruokien kypsentämiseen. Astian käyttöohjeessa mainittua esilämmitys aikaa ei saa ylittää.

## 6 Tietoa koskien mikroaaltouunissa käytettävistä astioista

### 6.1 Materiaalit, joita voidaan käyttää mikroaaltouunissa ja vältettävät materiaalit



Henkilökohtaisen tapaturman vaara Huolto- tai korjaustoimenpiteet, jotka edellyttävät mikroaaltoenergiaalta suojaavan kannen poistamista, ovat vaarallisia muille kuin ammattihenkilöille.

Katso ohjeet "Materiaalit, joita voidaan käyttää mikroaaltouunissa ja vältettävät materiaalit. Jotkin ei-metalliset keittiövälineet eivät välttämättä ole turvallisia mikroaaltouunille. Epäselvässä tapauksessa voit testata kyseisen astian alla annetun menettelyn mukaisesti.

#### Astian testaaminen:

1. Laita mikroaaltouunille sopivaan astiaan yksi lasillinen kylmää vettä yhdessä kyseisen paistoastian kanssa.
2. Kuumenna maksimiteholla yhden minuutin ajan.
3. Kokeile astiaa varovasti. Jos tyhjä astia on kuuma, älä käytä sitä mikroaaltouunissa kuumentamiseen.
4. Älä ylitä yhden minuutin kuumennusaikaa.

## 6 Tietoa koskien mikroaaltouunissa käytettävistä astioista

<b>Mikroaaltouunille sopivat materiaalit</b>	
<b>Keittiövälineet</b>	<b>Huomautukset</b>
Alumiinifolio	Ainoastaan peittäminen. Pieniä paloja voidaan käyttää ohuiden liha- tai linturuokien peittämiseen ylikypsentyksen estämiseksi. Folio voi aiheuttaa valokaaren, jos se on liian lähellä uunin seinämiä. Folion tulee olla vähintään 2,5 cm:n etäisyydellä uunin seinämiästä.
Ruskistusastia	Noudata valmistajan ohjeita. Ruskistusastian pohjan on oltava vähintään 5 mm pyöritysalustan yläpuolella. Vääränlainen käyttö voi rikkoa pyöritysalustan.
Ruokailuvälineet	Ainoastaan mikroaaltouunin kestävä. Noudata valmistajan ohjeita. Älä käytä halkeileita tai kolhiintuneita astioita.
Lasipurkit	Ota kansi aina pois. Käytä ainoastaan ruoan lämmittämiseen. Useimmat lasipurkit eivät kestä kuumuutta ja ne voivat rikkoutua.
Lasiset keittiövälineet	Ainoastaan kuumuutta kestävät uunille tarkoitetut lasitarvikkeet. Varmista, että niissä ei ole metallireunusta. Älä käytä halkeilleita tai kolhiintuneita astioita.
Paistopussit	Noudata valmistajan ohjeita. Älä kiinnitä metallikiinnikkeellä. Tee viiltoja, jotta höyry pääsee ulos.
Paperilautaset ja -kupit	Käytä ainoastaan lyhytaikaiseen kypsennykseen/lämmittämiseen. Älä jätä uunia valvomatta kuumentamisen aikana.
Paperipyyhkeet	Käytä ruoan peittämiseen kuumennettaessa tai rasvan imeyttämiseen. Käytä ainoastaan lyhyeen kuumentamiseen ja valvo samalla.
Leivinpaperi	Käytä suojaamaan roiskeita tai kääreenä höyrystämiseen.
Muovi	Ainoastaan mikroaaltouunin kestävä. Noudata valmistajan ohjeita. Siinä tulee olla merkintä "Mikroaaltouunin kestävä". Jotkin muoviset astiat pehmenevät, kun niiden sisällä oleva ruoka kuumenee. "Kiehutuspusseihin" ja tiiviisti suljettuihin muovipusseihin on tehtävä viiltoja, reikiä tai aukkoja pakkaukseen merkityllä tavalla.
Muovikääre	Ainoastaan mikroaaltouunin kestävä. Älä peitä kuumennettavia ruokia kosteuden säilyttämiseksi. Älä anna muovikääreen koskettaa ruokaa.
Lämpömittarit	Ainoastaan mikroaaltouunin kestävät (lihan ja makeisten lämpömittarit).
Vahapaperi	Käytä suojaamaan roiskeita ja kosteuden säilyttämiseen.
<b>Mikroaaltouunille vältettävät materiaalit</b>	
Alumiinivuoka	Voi aiheuttaa valokaaren. Laita ruoka mikroaaltouunille sopivaan astiaan.
Pahvikotelo metallipidikkeellä	Voi aiheuttaa valokaaren. Laita ruoka mikroaaltouunille sopivaan astiaan.
Metalliset tai metallireunaiset välineet	Metalli estää mikroaaltoenergian pääsyn ruokaan. Metallireunus voi aiheuttaa valokaaren.
Metalliset kiinnikkeet	Voivat aiheuttaa valokaaren ja mahdollisen tulipalon uunin sisällä.
Paperipussit	Voivat aiheuttaa tulipalon uunissa.
Vaahtomuovi	Vaahtomuovi voi sulaa tai saastuttaa sisällä olevan nesteen korkeassa lämpötilassa.
Puu	Puu voi kuivua mikroaaltouunissa ja se voi halkeilla.

# 7 Puhdistus ja huolto

## 7.1 Puhdistus



**VAROITUS:** Älä koskaan käytä bensiiniä, liuottimia, syövyttäviä puhdistusaineita, metalliesineitä tai kovaa harjaa laitteen puhdistamiseen.



**VAROITUS:** Älä koskaan upota laitetta tai virtajohtoa veteen tai muihin nesteisiin.

1. Sammuta laite ja irrota se pistorasiasta.
2. Odota, kunnes laite on jäähtynyt.
3. Pidä uunin sisäpuoli puhtaana. Pyyhi kostealla pyyhkeellä, kun roiskunut ruoka tai valunut juoma on tarttunut laitteen seiniin. Mietoa puhdistusainetta voidaan käyttää, jos laite on erittäin likainen. Vältä suihkeiden ja muiden vahvojen puhdistusaineiden käyttämistä, koska ne voivat jättää tahroja, jälkiä ja luukun pinnan sumentumista.
4. Muut laitteen pinnat on puhdistettava kostealla pyyhkeellä. Älä päästä vettä tuuletusaukkoihin, laitteen käyttöosien vaurioiden välttämiseksi.
5. Pyyhi luukun ja lasin molemmat puolet, ovitievisteet ja osat tiivisteiden lähellä säännöllisesti kostealla pyyhkeellä tahrojen poistamiseksi. Älä käytä voimakkaita tai hankaavia puhdistusaineita.
6. Älä anna ohjauspaneelin kastua. Puhdista pehmeällä kostealla kankaalla. Jätä laitteen luukku auki tahattoman käytön välttämiseksi ohjauspaneelin puhdistuksen aikana.
7. Jos sumua kerääntyy laitteen luukun sisälle tai ympärille, pyyhi pehmeällä pyyhkeellä. Tämä voi tapahtua, kun mikroaaltouunia käytetään erittäin kosteissa olosuhteissa. Tämä on normaalia.
8. Joissakin tilanteissa lasialusta on poistettava sen puhdistamiseksi. Pese alusta lämpimällä saippuavedellä tai astianpesukoneessa.
9. Pyöritysrenkas ja laitteen alaosa tulee puhdistaa säännöllisesti, epätavallisen melun välttämiseksi.
10. Laitteen alapinnan puhdistamiseen riittää pyyhkiminen miedolla puhdistusaineella. Pyöritysrenkas voidaan puhdistaa lämpimällä saippuavedellä tai astianpesukoneessa. Kun pyöritysrenkas poistetaan laitteen alapinnalta puhdistusta varten, asenna se oikeaan asentoon puhdistuksen jälkeen.
11. Pahan hajun poistamiseksi laitteesta, aseta vesilasi ja mehua ja sitruunaviipale mikroaaltokäyttöön sopivaan syvään kulhoon ja käytä laitetta 5 minuuttia mikroaaltotilassa. Pyyhi huolellisesti kuivalla pehmeällä kankaalla.
12. Ota yhteys valtuutettuun huoltoon, kun laitteen valo on vaihdettava.
13. Laite on puhdistettava säännöllisesti ja ruokajäänteet on poistettava. Jos laitetta ei pidetä puhtaana, voi se aiheuttaa pintavaurioita, jotka vaikuttavat laitteen käyttöikään ja voivat aiheuttaa vaaratilanteita.
14. Älä hävitä laitetta kotitalousjätteen mukana. Toimita ne keräyspisteeseen tai kunnan kierrätyskeskuksen erikoismateriaalin käsittelyä varten.
15. Kun laitetta käytetään grillitoiminnossa, voi pieni määrä savua tau hajua esiintyä, joka katoaa tietyn käyttöajan kuluttua.

## 7.2 Säilytys

- Jos et aio käyttää laite pitkään aikaan, varastoi se huolellisesti.
- Varmista, että laite on kytketty irti virransyötöstä, jäähtynyt ja täysin kuiva.
- Säilytä laitetta kuivassa ja viileässä paikassa.
- Säilytä laitetta lasten ulottumattomissa.

## 7 Puhdistus ja huolto

### 7.3 Käsittely ja kuljetus

- Säilytä laitetta alkuperäisessä pakkauksessa käsittelyn ja kuljetuksen aikana.
- Laitteen pakkaus suojaa sitä fyysisiltä vaurioilta.
- Älä aseta raskaita esineitä laitteen tai pakkauksen päälle. Laitte voi vaurioitua.

## 8 Vianetsintä

Normaali	
Mikroaaltouuni häiritsee televisiolähetystä	Mikroaaltouunin käyttö voi häiritä radio- ja TV-lähettyksiä. Se on samanlaista kuin pienten sähkölaitteiden, kuten esimerkiksi sähkövatkaimen, pölynimurin tai sähkötuulettimen aiheuttama häirintä. Tämä on normaalia.
Uunin valo on himmeä.	Uunin valo voi himmentyä matalalla mikroaaltouuniteholla kypsennettäessä. Tämä on normaalia.
Luukkuun kerääntyvä höyry, kuuma ilma tuuletusaukoista	Höyryä voi syntyä ruoasta kypsennyksen aikana. Suurin höyry osa poistuu tuuletusaukoista. Osa siitä voi kuitenkin keräytyä viileään paikkaan, kuten esimerkiksi uunin luukkuun. Tämä on normaalia.
Uunin käynnistyminen vahingossa tyhjänä.	Laitetta ei saa käyttää tyhjänä. Tämä on hyvin vaarallista.

Ongelma	Mahdollinen syy	Ratkaisu
Uuni ei käynnisty.	1) Virtajohtoa ei ole kytketty kunnolla.	Irrota pistoke. Liitä se uudestaan 10 sekunnin kuluttua.
	2) Varoke palanut tai suojakatkaisin aktivoitu.	Vaihda sulake tai aseta tehokatkaisin uudestaan (yrityksemme pätevän huoltohenkilön korjaamana).
	3) Ongelma pistorasian kanssa.	Testaa pistorasia muilla sähkölaitteilla.
Uuni ei kuumene.	4) Luukku ei sulkeudu kunnolla.	Sulje luukku huolellisesti.

## NO

### Reklamasjon og servicehåndtering.

Produkter solgt til forbruker i Norge, er underlagt Lov om forbrukerkjøp. Der det inntreffer feil eller mangler som omfattes av loven innen lovens frister, utbedres dette uten omkostninger for deg. Feil eller skader som oppstår, som er brukerbettinget eller ligger utenfor leverandørens kontroll, omfattes ikke av loven. En reparasjon vil da normalt belastes bruker. Ved næringskjøp gjelder kjøpsloven.

### Grundig dekker ikke.

Feil eller mangler som har oppstått pga.

- Installasjon i strid med brukerveiledning.

- Mangelfullt vedlikehold eller behandling i strid med brukerveiledning.
- Inngrep og reparasjoner utført av uautorisert personell, eller bruk av uoriginale reservedeler.
- Unormale spenningsvariasjoner utover merkespenningen, lynnedslag, elektriske forstyrrelser eller evt. uregelmessigheter i vannforsyningen.

### Reservedeler.

Informasjon om bestilling av reservedeler finner du på: [www.grundig.no](http://www.grundig.no)

Ved bestilling av reservedeler må det opplyses om modellbetegnelse og serienummer på produktet. Denne informasjonen finnes på typeskiltet på produktet.

### Anmodning om service.

Grundig har lokale serviceverksteder over hele landet.

Ved tekniske henvendelser må følgende informasjon oppgis / fremvises:

- Navn
- Adresse
- Telefon
- Modellbetegnelse
- Serienummer
- Kjøpsdato / Kjøpskvittering
- Feilbeskrivelse

Grundig Nordic No As  
Glynitveien 25  
1400 Ski - NO

Tlf +47 815 59 590  
[hvitevareservice@grundig.com](mailto:hvitevareservice@grundig.com)  
[www.grundig.no](http://www.grundig.no)

## DK

### Reklamation og servicehåndtering

Produkter solgt til forbruker i Danmark, er underlagt lov om forbrukerkjøp. Om der oppstår feil eller mangler der er omfattet af loven indenfor de givne garantifrister, udbedres disse uden omkostninger. Dækningen forudsætter brug i normal privat husholdning.

Fejl eller skader der er brugsbetingede eller ligger udenfor leverandørens kontrol omfattes ikke af loven. En reparation vil da normalt belastes brugeren.

### Grundig dækker ikke.

Fejl eller mangler som er opstået pga.

- Installation i strid med brugerveiledning.

- Mangelfuld vedligehold eller behandling i strid med brugerveiledning.
- Indgreb og reparationer udført af uautoriseret personel, eller brug af uoriginale reservedele.
- Unormale spændingsvariationer lynnedslag, elektriske forstyrrelser eller evt. uregelmæssigheder i vandforsyningen.

### Reserve dele.

Information om bestilling af reservedele finder du på: [www.grundig.dk](http://www.grundig.dk)

Ved bestilling af reservedele må modellbetegnelse og serienummer på produktet oplyses. Denne information findes på typeskiltet på produktet.

### Anmodning om service.

Grundig har lokale serviceværksteder over hele landet.

Ved tekniske henvendelser må følgende information opgives / fremvises:

- Navn
- Adresse
- Telefon
- Modelbetegnelse
- Serienummer
- Kjøpsdato / Købskvittering
- Fejlbeskrivelse

Grundig Nordic No As  
Glynitveien 25  
1400 Ski - NO

Tlf +45 70 80 87 77  
[hvidevareservice@grundig.com](mailto:hvidevareservice@grundig.com)  
[www.grundig.dk](http://www.grundig.dk)

## SE

### Reklamation och servicehantering.

Produkter som sålts till konsumenter i Sverige omfattas av lagen om konsumentköp. Om det förekommer fel eller brister som omfattas av lagen om lagstadgade tidsfrister sker reparation utan kostnad för konsument. Defekter eller skador som uppstår, som är användarrelaterade eller ligger utanför leverantörens kontroll omfattas inte av lagen. En ev reparation kommer då normalt att bekostas av användaren. Vid näringsköp gäller köplagen.

### Grundig täcker inte.

Skador eller defekter som uppstått pga.

- Installation i oenlighet med tillverkarens anvisning.

- Bristande underhåll eller behandling som strider mot bruksanvisningen.
- Ingrepp eller reparationer utförd av icke behörig personal, eller användningen av icke godkända reservdelar.
- Onormala spänningsvariationer utöver markspänning, blixtnedslag, elektriska störningar eller oegentligheter med vattenförsörjning.

### Reservdelar.

Information för beställning av reservdelar finner du på: [www.grundig.se](http://www.grundig.se)

Vid beställning av reservdelar måste modell samt serienummer på produkt uppges. Denna information finns på typskylten av produkten.

### Servicefrågor.

Grundig har lokala serviceverkstäder över hela landet.

Vid tekniska frågor måste följande information uppges / visas:

- Namn
- Adress
- Telefon
- Modell
- Serienummer
- Köpekvitto / Kvittokopia
- Felbeskrivelse

Grundig Nordic AB  
Klarabergsviadukten 53  
SE-101 23 Stockholm

Tlf +46 (0)770 456 330  
[vitvaruservice@grundig.com](mailto:vitvaruservice@grundig.com)  
[www.grundig.se](http://www.grundig.se)

## FI

### Reklamaatit ja huolto:

Suomessa kuluttajalle myydyt tuotteet kuuluvat kuluttaja-suojalain piiriin. Grundig kattaa korjauskustannukset valmistus- ja materiaalivioissa viitaten kyseisen maan voimassa oleviin säännöksiin. Edellytyksenä, on että tuote on ostettu uutena Suomessa. Lisäksi edellytetään, että korjaus suoritetaan valtuutetulla huoltoilikeellä. Edellytämme, että laite ei ole muussa kuin yksityisessä kotikäytössä.

### Grundig ei kata:

Vaurioita tai vikoja jotka johtuvat esim.

- Asennus ja käyttö on tehty käyttöohjeiden vastaisesti.

- Vian tai puutteen takia korjausta, jos se on seurausta virheellisestä asennuksesta tai sijoituspaikasta.
- Korjausta, joka on seurausta muiden kuin valtuutetun huoltajan korjauksesta.
- Vikoja, jotka ovat seurausta tulipalosta, tulvista tai vastaavista (force majeure).
- Korjauksia tai vikoja jotka ovat seurausta ukkosesta, sähkövivoista, jännitevaihteluista tai talon sähkö- ja vesiasennuksista.

### Varaosat:

Ohjeet varaosien tilaamiseen löydät kotisivuiltamme: [www.grundig.fi](http://www.grundig.fi)

Varaosia tilattaessa on ilmoitettava laitteen malli sekä sarjanumero. Mainitut tiedot löytyvät tuotteen tyyppimerkistä.

### Huoltoihin liittyvät kysymykset:

Grundigilla on koko maata kattava huoltoilikeverkosto:

Huoltoon liittyvissä kysymyksissä seuraavat tiedot ovat tärkeitä ilmoittaa:

- Nimi
- Osoite
- Puhelin
- Malli
- Sarjanumero
- Kuitti / Kuittikopio
- Vian kuvaus

Grundig Nordic AB  
Klarabergsviadukten 53  
SE-101 23 Stockholm

Puh +358 (0) 800 152 152

[kodinkonehuolto@grundig.com](mailto:kodinkonehuolto@grundig.com)  
[www.grundig.fi](http://www.grundig.fi)


# Przed rozpoczęciem użytkowania należy zapoznać się z instrukcją obsługi!

Szanowni Klienci,

dziękujemy za wybranie produktu firmy Beko. Mamy nadzieję, że wyrób ten, wyprodukowany z zapewnieniem wysokiej jakości przy użyciu najnowszych technologii, okaże się w pełni zadowalający. Przed użyciem urządzenia należy uważnie przeczytać całą instrukcję obsługi oraz towarzyszące jej dokumenty i zachować ją do wglądu na przyszłość. Przekazując wyrób innemu użytkownikowi, należy dołączyć również niniejszą instrukcję. Przestrzegaj wszystkich ostrzeżeń i informacji zawartych w instrukcji obsługi.

## Znaczenie symboli

W niniejszej instrukcji stosuje się następujące symbole:

	Ważne informacje i przydatne wskazówki dotyczące użytkowania.
	Ostrzeżenia dotyczące sytuacji zagrażających bezpieczeństwu, życiu i mieniu.
	Ostrzeżenie przed gorącymi powierzchniami.
	Ostrzeżenie przed porażeniem elektrycznym.
	Ostrzeżenie przed niebezpieczeństwem pożaru.



Urządzenie zostało wyprodukowane w nowoczesnych ekologicznie obiektach.



# 1 Ważne instrukcje dotyczące bezpieczeństwa i ochrony środowiska

## Ważne informacje dotyczące bezpieczeństwa Przeczytaj uważnie i zachowaj na przyszłość

### 1.1 Ostrzeżenia dotyczące bezpieczeństwa

Rozdział ten zawiera instrukcje bezpieczeństwa, które pomogą w uniknięciu pożaru, porażenia prądem, narażenia na wyciek energii mikrofalowej, obrażeń ciała lub uszkodzenia mienia. Nieprzestrzeganie tych instrukcji unieważnia udzielone gwarancje.

- Kuchenka mikrofalowa firmy Beko spełnia wszystkie wymagania stosownych norm bezpieczeństwa. W przypadku jakiegokolwiek uszkodzenia urządzenia lub przewodu zasilającego, aby uniknąć wszelkich zagrożeń należy oddać je do naprawy lub wymiany przez sprzedawcę, punkt serwisowy lub specjalistę albo autoryzowany serwis. Niewłaściwa lub niewykwalifikowana naprawa może spowodować niebezpieczeństwo i zagrożenie dla użytkownika.

- Urządzenie to jest przeznaczone do użytku domowego lub w podobnych miejscach, np.:
  - w kuchniach personelu sklepu, biur i innych środowisk pracy;
  - w zabudowaniach gospodarczych
  - hotelach i innych obiektach mieszkalnych;
  - w obiektach typu nocleg ze śniadaniem (B&B).
- Nie nadaje się on do użytku przemysłowego lub laboratoryjnego.
- Nie uruchamiaj mikrofal, gdy drzwiczki są otwarte; w przeciwnym razie możesz być narażony na działanie szkodliwej energii mikrofal. Nie należy wyłączać ani modyfikować zamków bezpieczeństwa.
- Kuchenka mikrofalowa jest przeznaczona do podgrzewania potraw i napojów. Suszenie żywności lub odzieży oraz ogrzewanie poduszek rozgrzewających, kapci, gąbek, wilgotnej szmatki itp. może prowadzić do obrażeń, zapalenia lub pożaru.

# 1 Ważne instrukcje dotyczące bezpieczeństwa i ochrony środowiska

- Nie umieszczaj żadnych przedmiotów między przednią częścią a drzwiczkami. Nie dopuszczaj do gromadzenia się brudu lub resztek środka czyszczącego na powierzchniach zamknięcia.
- Wszelkie prace serwisowe polegające na zdjęciu osłony chroniącej przed promieniowaniem mikrofal muszą być wykonywane przez upoważnione osoby/serwis. Każde inne prace są niebezpieczne.
- Produkt jest przeznaczony do gotowania, podgrzewania i rozmrażania żywności w domu. Nie może być używany do celów handlowych.
- Kuchenka mikrofalowa nie jest przeznaczona do suszenia jakichkolwiek żywych istot.
- Nie używaj urządzenia do suszenia ubrań ani ręczników kuchennych.
- Nie używaj urządzenia na zewnątrz, w łazienkach, w wilgotnym środowisku lub w miejscach, w których może ulec zamoczeniu.
- Firma nie ponosi odpowiedzialności ani nie zapewnia gwarancji za szkody wynikające z niewłaściwego użytkowania lub niewłaściwej obsługi urządzenia.
- Nie należy próbować rozkładać tego urządzenia na części. Za szkody spowodowane nieprawidłową obsługą nie przysługują żadne roszczenia gwarancyjne.
- Należy stosować wyłącznie oryginalne lub zalecane przez producenta części zamienne.
- Nie pozostawiaj urządzenia bez nadzoru, gdy jest podłączone.
- Zawsze używaj urządzenia na stabilnej, płaskiej, czystej, suchej i antypoślizgowej powierzchni.
- Urządzenie nie powinno być używane w połączeniu z zewnętrznym wyłącznikiem czasowym lub osobnym urządzeniem sterującym.
- Przed pierwszym użyciem wyczyść wszystkie części. Szczegółowe informacje można znaleźć w rozdziale „Czyszczenie i konserwacja”.

# 1 Ważne instrukcje dotyczące bezpieczeństwa i ochrony środowiska

- To urządzenie należy używać tylko zgodnie z jego przeznaczeniem, w sposób opisany w niniejszej instrukcji.
- Podczas pracy urządzenie bardzo się nagrzewa. Uważaj, aby nie dotknąć gorących części wewnątrz mikrofalówki.
- Nie włączaj kuchenki, gdy jest pusta.
- Naczynie do gotowania może się nagrzewać na skutek przenoszenia ciepła z podgrzanej żywności do naczynia. Możesz potrzebować rękawic kuchennych do przytrzymania naczynia.
- Naczynia należy sprawdzić, aby upewnić się, że nadają się do użytku w kuchenkach mikrofalowych.
- Nie umieszczaj mikrofal na kuchenke ani innych urządzeniach wytwarzających ciepło. W przeciwnym razie urządzenie może ulec uszkodzeniu, a gwarancja straci ważność.
- Podczas podnoszenia pokryw lub folii po gotowaniu może wydostawać się para.
- Urządzenie i jego powierzchnie mogą być bardzo gorące podczas pracy.
- Drzwiczki i szyba zewnętrzna mogą być bardzo gorące podczas pracy.
- Upewnij się, że zasilanie z domowej sieci elektrycznej jest zgodne z informacjami podanymi na tabliczce znamionowej urządzenia.
- Jedynym sposobem odłączenia urządzenia od zasilania jest wyjęcie wtyczki z gniazdka.
- Używaj urządzenia tylko z uzziemionym gniazdem.
- Nie używaj urządzenia, jeśli kabel zasilania lub wtyczka są uszkodzone.
- Z urządzeniem nie należy używać przedłużaczy.
- Nigdy nie dotykaj urządzenia ani wtyczki wilgotnymi lub mokrymi rękami.
- Ustaw urządzenie w taki sposób, aby wtyczka była zawsze dostępna.

# 1 Ważne instrukcje dotyczące bezpieczeństwa i ochrony środowiska

- Aby zapobiec uszkodzeniu przewodu zasilającego, nie wolno dopuścić do jego ściskania, zginania lub ocierania o ostre krawędzie. Trzymaj kabel zasilania dala od gorących powierzchni i otwartego ognia.
- Upewnij się, że nie ma niebezpieczeństwa przypadkowego pociągnięcia przewodu zasilającego lub potknięcia się o niego podczas użytkowania urządzenia.
- Przed każdym czyszczeniem oraz gdy urządzenie nie jest używane należy odłączyć je od zasilania.
- Nie ciągnąć za kabel zasilający urządzenia w celu odłączenia go od źródła zasilania i nigdy nie owijać go wokół urządzenia.
- Nie zanurzaj urządzenia, przewodu zasilającego ani wtyczki w wodzie ani w innych cieczach. Nie myć pod bieżącą wodą.
- Podczas odgrzewania jedzenia w plastikowych lub papierowych pojemnikach, zwracaj na urządzenie szczególną uwagę ze względu na możliwy samozapłon.
- Przed umieszczeniem pożywienia w kuchence usuń z niego druczki i/lub metalowe uchwyty z papierowych lub plastikowych torebek.
- Jeśli z urządzenia wydostaje się dym, wyłącz je lub wyjmij wtyczkę z kontaktu, jeśli jest to bezpieczne, i nie otwieraj drzwi-czek, aby zduścić ewentualne płomienie.
- Nie używaj wnętrza kuchenki do przechowywania rzeczy. Jeśli kuchenka nie jest używana nie należy zostawiać w niej papierowych przedmiotów, materiałów do gotowania ani żywności, gdy nie jest używana.
- Aby uniknąć poparzeń, zawartość butelek do karmienia niemowląt i słoiczków z jedzeniem powinna zostać wymieszana lub wstrząśnięta, a temperatura pożywienia sprawdzona przed jedzeniem.

# 1 Ważne instrukcje dotyczące bezpieczeństwa i ochrony środowiska

- Niniejsze urządzenie należy do grupy 2 klasy B ISM. Grupa 2 obejmuje cały sprzęt ISM (przemysłowy, naukowy i medyczny), w którym energia o częstotliwości radiowej jest celowo generowana i/lub wykorzystywana w postaci promieniowania elektromagnetycznego do obróbki materiałów oraz sprzęt do erozji iskrowej.
  - Sprzęt klasy B nadaje się do użytku w domach i zakładach podłączonych bezpośrednio do sieci niskiego napięcia.
  - Nie używaj oleju do gotowania w kuchence. Gorący olej może uszkodzić elementy i materiały piekarnika, a nawet spowodować oparzenia skóry.
  - Potrawy z grubą skórką, np. ziemniaki, cukinie, jabłka i kasztany należy nakłuć.
  - Urządzenie należy ustawić tak, aby tylna strona była skierowana w stronę ściany.
  - Przed przenoszeniem urządzenia należy zabezpieczyć talerz obrotowy, aby zapobiec uszkodzeniu.
  - Jajka w skorupkach i jajka gotowane na twardo nie powinny być podgrzewane w mikrofalówkach, gdyż mogą one eksplodować, nawet po skończeniu podgrzewania.
- OSTRZEŻENIE:** Jeśli drzwiczki lub uszczelki są uszkodzone, kuchenka nie może być używana, aż do czasu jej naprawienia przez fachowca.
- OSTRZEŻENIE:** Serwisowanie i naprawy urządzenia, polegające na zdejmowaniu przez osoby niekompetentne osłony chroniącej przed energią mikrofalową, jest niebezpieczne.
- OSTRZEŻENIE:** Płyny i inne jedzenie nie mogą być podgrzewane w zamkniętych pojemnikach, gdyż mogą one eksplodować.
- Wnętrze mikrofalówki powinno być regularnie czyszczone, a jakiegokolwiek pozostałości jedzenia usuwane.
  - Nad górną powierzchnią kuchenki powinno być co najmniej 20 cm wolnej przestrzeni.

# 1 Ważne instrukcje dotyczące bezpieczeństwa i ochrony środowiska

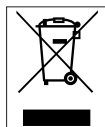
- Nie przegrzewaj potraw; w przeciwnym razie możesz spowodować pożar.
- Nie używaj środków chemicznych ani środków czyszczących wspomaganych parą do czyszczenia urządzenia .
- Zaleca się szczególną ostrożność podczas używania urządzenia w pobliżu dzieci i osób o ograniczonych zdolnościach fizycznych, sensorycznych lub umysłowych.
- Urządzenie może być używane przez dzieci w wieku 8 lat lub starsze oraz przez osoby o ograniczonej sprawności fizycznej, sensorycznej lub umysłowej lub nieposiadające wiedzy i doświadczenia, pod warunkiem, że są one nadzorowane w zakresie bezpiecznego użytkowania produktu lub zostały odpowiednio poinstruowani lub rozumieją ryzyko związane z używaniem produktu. Dzieci nie mogą bawić się tym urządzeniem. Czyszczenie i konserwacja nie mogą być wykonywane przez dzieci bez nadzoru.
- **Niebezpieczeństwo zadławienia!** Wszystkie opakowania należy przechowywać poza zasięgiem dzieci.
- Ze względu na nadmierne ciepło powstające podczas grillowania i trybu kombinowanego, dzieci powinny mieć możliwość korzystania z tych trybów wyłącznie pod nadzorem osoby dorosłej.
- Przechowuj urządzenie i kabel zasilający tak, aby były niedostępne dla dzieci poniżej 8 roku życia.
- Nie gotuj potraw bezpośrednio na szklanej podstawie. Umieść jedzenie w/na odpowiednich naczyniach kuchennych przed włożeniem ich do kuchenki.
- Podczas gotowania w kuchenke mikrofalowej nie wolno używać metalowych pojemników na żywność i napoje. W przeciwnym razie może wystąpić iskrzenie.
- Produkt nie jest przeznaczony do obudowy. Nie należy umieszczać produktu w szafce lub pudełku, gdy jest używany.

# 1 Ważne instrukcje dotyczące bezpieczeństwa i ochrony środowiska

- Kuchenki mikrofalowej nie wolno umieszczać w szafce, która nie jest zgodna z instrukcją montażu.
- Kuchenka mikrofalowa jest przeznaczona wyłącznie do zabudowy.
- Jeśli urządzenia do zabudowy są używane na wysokości 900mm nad podłogą lub wyżej, należy uważać, aby nie przemieszczać talerza obrotowego podczas wyjmowania pojemników z urządzenia.
- Jeśli produkt do zabudowy znajduje się w szafce z drzwiami, należy go obsługiwać przy otwartych drzwiach szafki.

## 1.2 Zgodność z dyrektywą WEEE i usuwanie odpadów:

Niniejszy wyrób jest zgodny z dyrektywą Parlamentu Europejskiego i Rady (2012/19/WE). Wyrób ten oznaczony jest symbolem klasyfikacji zużytych urządzeń elektrycznych i elektronicznych (WEEE).



Ten symbol oznacza, że sprzęt nie może być umieszczany łącznie z innymi odpadami gospodarstwa domowego po okresie jego użytkowania. Zużyte urządzenie należy oddać do specjalnego punktu zbiórki zużytego sprzętu elektrycznego i elektronicznego w celu utylizacji.

Aby uzyskać informacje o punktach zbiórki w swojej okolicy należy skontaktować się z lokalnymi władzami lub punktem sprzedaży tego produktu.

Gospodarstwo domowe spełnia ważną rolę w przyczynianiu się do ponownego użycia i odzysku zużytego sprzętu. Odpowiednie postępowanie ze zużytym sprzętem zapobiega potencjalnym negatywnym konsekwencjom dla środowiska naturalnego i ludzkiego zdrowia.

## 1.3 Zgodność z dyrektywą RoHS:

Niniejszy wyrób jest zgodny z dyrektywą Parlamentu Europejskiego i Rady RoHS (Ograniczenie użycia substancji niebezpiecznych) (2011/65/WE). Nie zawiera szkodliwych i zakazanych materiałów, podanych w tej dyrektywie.

## 1.4 Informacje o opakowaniu

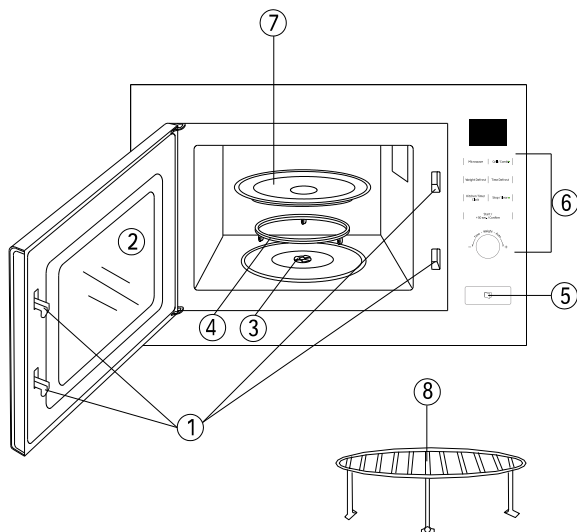


Opakowanie tego wyrobu wykonano z materiałów nadających się do recyklingu, zgodnie z naszym ustawodawstwem krajowym. Nie wyrzucaj materiałów opakowaniowych do śmieci wraz z innymi odpadkami domowymi. Oddaj je w jednym z wyznaczonych przez władze lokalne punktów zbiórki materiałów opakowaniowych.



## 2 Kuchenka mikrofalowa

### 2.1 Instalacja



1. System zabezpieczenia drzwiczek
2. Okno kuchenki
3. Wałek talerza obrotowego
4. Podstawa talerza obrotowego
5. Przycisk otwartych drzwi
6. Panel sterowania
  - Microwave
  - Grill / Combi.
  - Weight Defrost
  - Time Defrost
  - Kitchen Timer Clock
  - Stop / Clear
  - Start/+30Sec./Confirm
  - Time / Weight / Auto
7. Szklany talerz
8. Ruszt do grillowania (nie może być używany w kuchence mikrofalowej i musi być umieszczony na szklanej tacy)

### 2.2. Dane techniczne

<b>Zużycie energii</b>	230 V~50 Hz, 1270 W (Kuchenka mikrofalowa) 1000 W (Grill)
<b>Wyjście</b>	800 W
<b>Częstotliwość pracy</b>	2450 MHz
<b>Wymiary zewnętrzne (Wys. x Szer. x Gł.) mm</b>	387x594x333
<b>Pojemność kuchenki</b>	20 litrów
<b>Waga netto</b>	16,5 kg
<b>Kolor</b>	Czarny

Zastrzega się prawo do wprowadzania modyfikacji technicznych oraz modyfikacji konstrukcji.

Oznaczenia na urządzeniu lub wartości podane w innych dokumentach dostarczonych z produktem są wartościami uzyskanymi w warunkach laboratoryjnych zgodnie z odpowiednimi normami. Wartości te mogą się różnić w zależności od sposobu użytkowania urządzenia i warunków w jego otoczeniu. Testowano na 230 V.



## 3 Instalacja i podłączenie

### 3.1 Akcesoria instalacyjne

- Należy przestrzegać instrukcji obsługi.
- Urządzenie można zamontować w szafce o szerokości 60 cm.
- Urządzenie jest wyposażone we wtyczkę i musi być podłączone do właściwie uziemionego gniazdka.
- Napięcie sieciowe musi odpowiadać wartości podanej na tabliczce znamionowej.
- Instalację gniazdka i wymianę kabla połączeniowego może wykonywać wyłącznie wykwalifikowany elektryk. Jeśli po zainstalowaniu kuchenki wtyczka nie jest dostępna, musi zostać zamontowany wyłącznik automatyczny o co najmniej 3mm odstępie między stykami.



**OSTRZEŻENIE:** Nie wolno korzystać z adapterów, rozdzielaczy i przedłużaczy. Przeciążenie może skończyć się pożarem.

### 3.2 Podłączenie zasilania

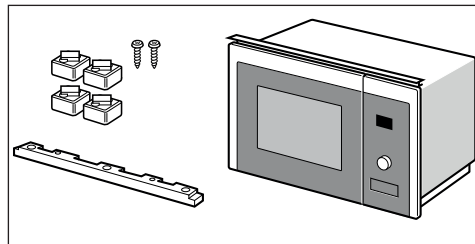
- Urządzenie jest wyposażone we wtyczkę i musi być podłączone do właściwie uziemionego gniazdka.
- Tylko wykwalifikowany elektryk, uwzględniający odpowiednie przepisy, może zainstalować gniazdko lub wymienić kabel przyłączeniowy.
- Jeśli po zainstalowaniu kuchenki wtyczka nie jest dostępna, musi zostać zamontowany rozłącznik izolacyjny o co najmniej 3 mm odstępie między stykami.
- Instalacja musi zapewnić ochronę przed dotknięciem.

### 3.3 Montaż urządzenia na szafce

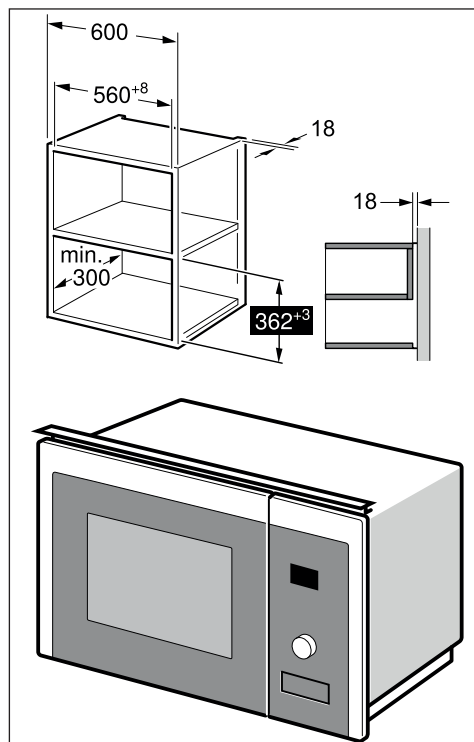
Szafka do zabudowy nie może posiadać tylnej ścianki za urządzeniem.

Minimalna wysokość montażu wynosi: 850 mm. Nie zasłaniać otworów wentylacyjnych i wlotów.

Części:



### Montaż urządzenia na szafce



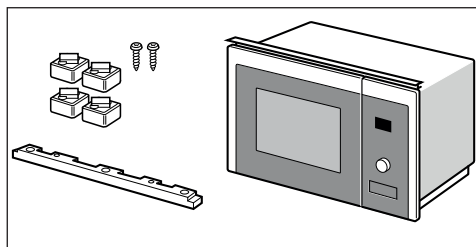
## 3 Instalacja i podłączenie

### 3.4 Montaż urządzenia na wysokiej szafce

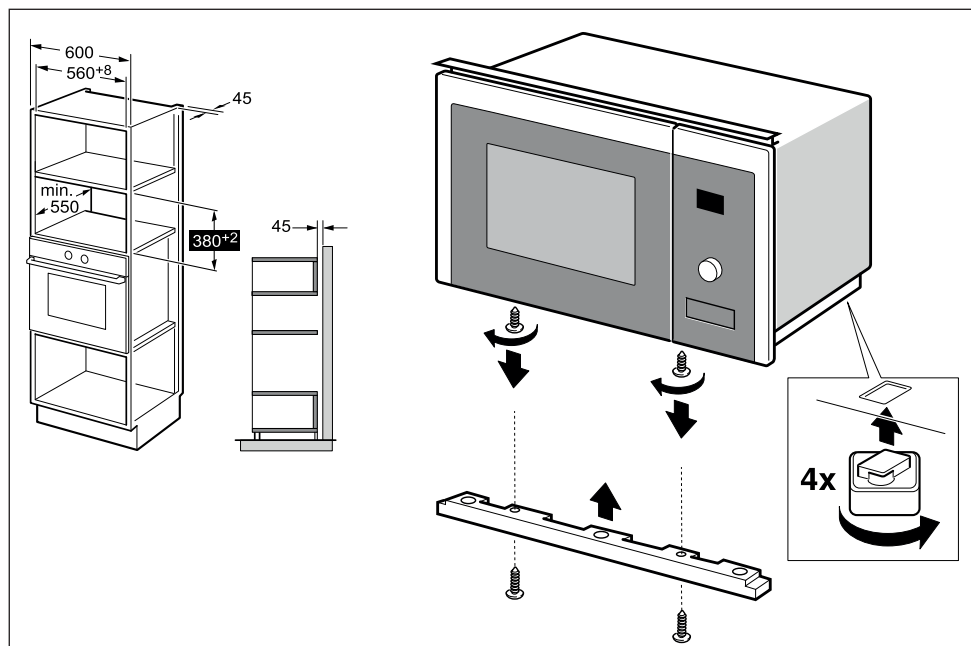
Szafka do zabudowy nie może posiadać tylnej ścianki za urządzeniem.

Minimalna wysokość montażu wynosi: 850 mm.  
Nie zasłaniać otworów wentylacyjnych i wlotów.

#### Części:



#### Montaż urządzenia na wysokiej szafce

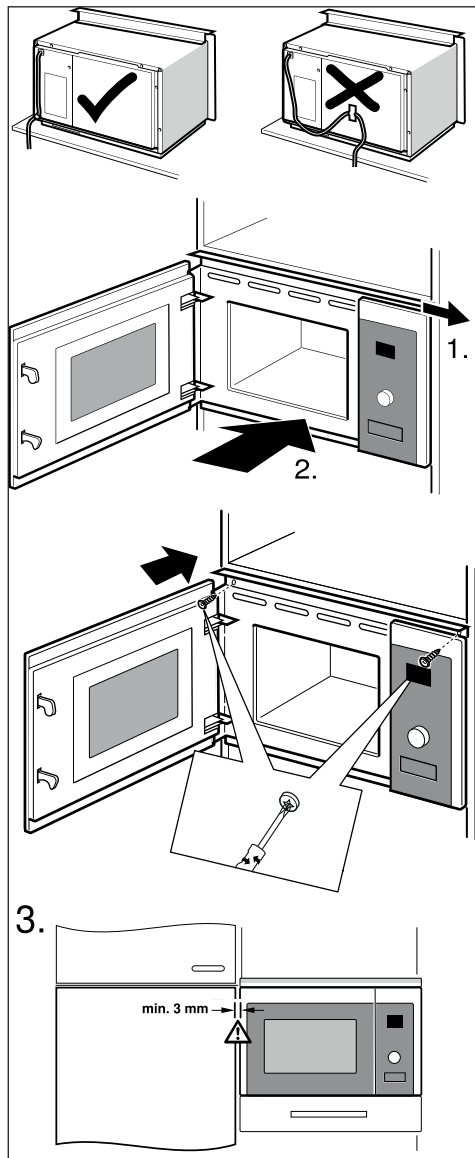


## 3 Instalacja i podłączenie

### 3.5 Montaż mikrofalówki

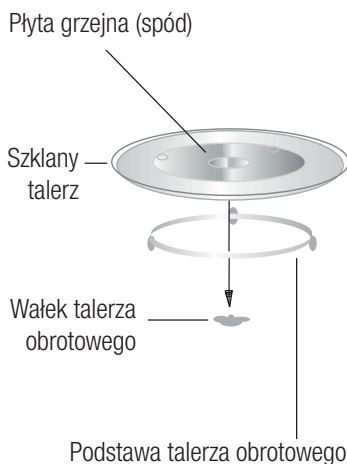


**OSTRZEŻENIE:** Nie przytrząskuj ani nie zginaj przewodu zasilania.



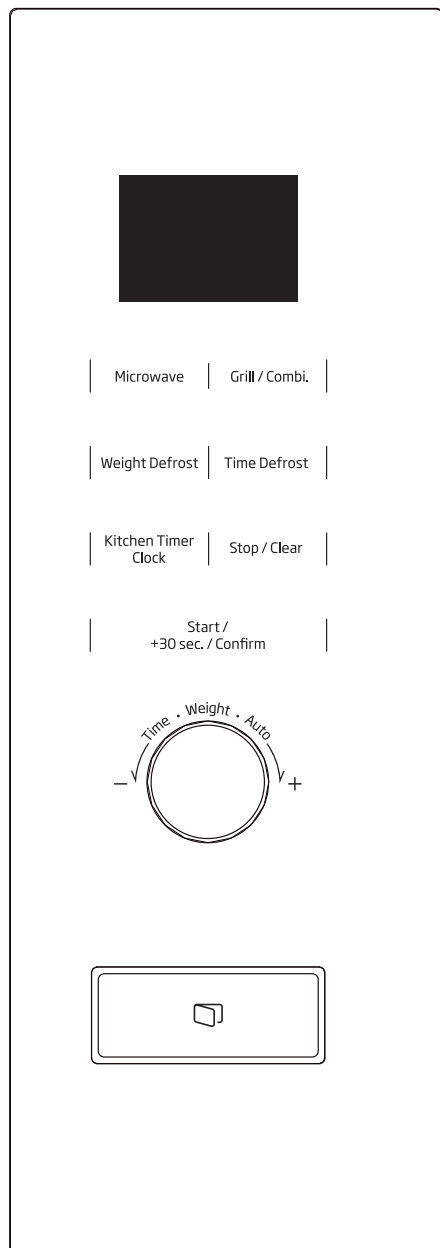
### 3.6 Instalacja talerza obrotowego

- Nigdy nie umieszczaj talerza szklanego dnem do góry. Szklany talerz nie powinien być nigdy unieruchamiany.
- Podczas gotowania należy zawsze używać zarówno talerza szklanego, jak i podstawy obrotowej.
- Na czas gotowania, wszystkie pojemniki z jedzeniem są zawsze umieszczane na szklanym talerzu.
- Gdy szklany talerz lub mechanizm obrotowy pękną lub się połamią, skontaktuj się z najbliższym autoryzowanym serwisem.



## 4 Obsługa

### 4.1 Panel kontrolny



### 4.2 Ustawianie zegara

Gdy kuchenka mikrofalowa zostanie podłączona do prądu, na wyświetlaczu pojawi się „00:00” i rozlegnie się sygnał dźwiękowy. Kuchenka przejdzie w tryb oczekiwania.

1. Naciśnij dwukrotnie “Kitchen Timer/Clock”, a cyfry godzin zaczną migać.
2. Przekręć pokrętkę “Time / Weight / Auto”, aby ustawić godzinę; wartość powinna wynosić od 0 do 23.
3. Naciśnij “Kitchen Timer/Clock”, a cyfry minut zaczną migać.
4. Przekręć pokrętkę “Time / Weight / Auto”, aby ustawić minuty; wartość powinna wynosić od 0 do 59.
5. Naciśnij “Kitchen Timer/Clock”, aby zakończyć. Symbol “:” zacznie migać i pojawi się godzina.



Jeśli zegar nie jest ustawiony, nie będzie działał podczas pracy urządzenia.

### 4.3 Gotowanie w kuchence mikrofalowej

1. Naciśnij przycisk “Microwave”, a na wyświetlaczu pojawi się „P100”.
2. Naciśnij ponownie przycisk “Microwave” lub obróć pokrętkę “Time / Weight / Auto”, aby ustawić żądaną moc. Po każdym naciśnięciu przycisku, na wyświetlaczu pojawi się odpowiednio “P100”, “P80”, “P50”, “P30” lub „P10”.
3. Naciśnij “Start/+30 Sec./Confirm”, aby potwierdzić.
4. Obróć pokrętkę “Time / Weight / Auto”, aby ustawić czas gotowania na wartość między 0:05 a 95:00.
5. Naciśnij ponownie przycisk “Start/+30 Sec./Confirm”, aby rozpocząć gotowanie.
6. Czas na ekranie zaczyna odliczanie.
7. Po zakończeniu słychać sygnał dźwiękowy.

## 4 Obsługa

Kroki regulacji czasu w przycisku kodowania są następujące:

Ustawianie czasu trwania	Wzrost wartości
0-1 minuta	5 sekund
1-5 minut	10 sekund
5-10 minut	30 sekund
10-30 minut	1 minuta
30-95 minut	5 minut

### Tabela mocy mikrofalówki

Moc mikrofalówki	Wysokie	Śred. Wys.	Śred.	Śred. Ni-skie	Ni-skie
Wyświetlacz	P100	P80	P50	P30	P10

### 4.4 Gotowanie z funkcją grill lub kombi

1. Naciśnij „Grill/Combi”, a na wyświetlaczu pojawi się „G”.
2. Naciśnij kilkakrotnie lub obróć pokrętko „Time / Weight / Auto”, aby wybrać żadaną moc, a na wyświetlaczu pojawi się „G”, „C-1” lub „C-2”.
3. Naciśnij „Start/+30Sec./Confirm”, aby potwierdzić.
4. Przekręć pokrętko „Time / Weight / Auto”, aby ustawić czas gotowania. (Maksymalne ustawienie czasu to 95 minut)
5. Naciśnij ponownie przycisk „Start/+30Sec./Confirm”, aby rozpocząć gotowanie.
6. Czas na ekranie zaczyna odliczanie.
7. Po zakończeniu słychać sygnał dźwiękowy.

### Instrukcje dotyczące mocy

Program	Wyświetlacz	Moc mikrofalówki	Moc funkcji grill
Grill	G	0%	100%
Kombi 1	C-1	55%	45%
Kombi 2	C-2	36%	64%



Jeśli minie połowa czasu grillowania, piekarnik wyda dwa sygnały dźwiękowe, co jest normalne. Aby uzyskać lepszy efekt grillowania, należy odwrócić żywność, zamknąć drzwiczki, a następnie nacisnąć przycisk „Start/+30Sec./Confirm”, aby kontynuować gotowanie. W przypadku braku działania piekarnik będzie nadal działał.

### 4.5 Rozmrażanie wagowe

1. Naciśnij „Weight Defrost”, a na wyświetlaczu pojawi się „dEF1”.
2. Przekręć pokrętko „Time / Weight / Auto”, aby ustawić wagę. Zakres wynosi od 100 do 2000 g.
3. Naciśnij ponownie przycisk „Start/+30Sec./Confirm”, aby rozpocząć rozmrażanie.
4. Czas na ekranie zaczyna odliczanie.
5. Po zakończeniu słychać sygnał dźwiękowy.



Jeśli minie połowa czasu rozmrażania, piekarnik wyda dwa sygnały dźwiękowe, co jest normalne. Aby uzyskać lepszy efekt rozmrażania, należy odwrócić żywność, zamknąć drzwiczki, a następnie nacisnąć przycisk „Start/+30Sec./Confirm”, aby kontynuować gotowanie. W przypadku braku działania piekarnik będzie nadal działał.

## 4 Obsługa

### 4.6 Rozmrażanie czasowe

1. Naciśnij "Time Defrost", a na wyświetlaczu pojawi się "dEF2".
2. Przekręć pokrętko "Time / Weight / Auto", aby ustawić czas gotowania. Maksymalne ustawienie czasu to 95 minut.
3. Naciśnij ponownie przycisk "Start/+30Sec./Confirm", aby rozpocząć rozmrażanie.
4. Czas na ekranie zaczyna odliczanie.
5. Po zakończeniu słychać sygnał dźwiękowy.



Jeśli minie połowa czasu rozmrażania, piekarnik wyda dwa sygnały dźwiękowe, co jest normalne. Aby uzyskać lepszy efekt rozmrażania, należy odwrócić żywność, zamknąć drzwiczki, a następnie nacisnąć przycisk "Start/+30Sec./Confirm", aby kontynuować gotowanie. W przypadku braku działania piekarnik będzie nadal działał.

### 4.7 Gotowanie wielostopniowe

Można ustawić tylko 2 stopnie. Jeżeli na jednym ze stopni rozmrażamy należy automatycznie przejść na pierwszy stopień. Po każdym etapie rozlegnie się sygnał dźwiękowy i rozpocznie się następny etap.



Nie można ustawić automatycznego menu i szybkiego gotowania jako jednego z wielu etapów.

**Na przykład:** Jeśli chcesz rozmrozić jedzenie przez 5 minut, gotuj z 80% mocą mikrofal przez 7 minut.

#### Kroki są następujące:

1. Naciśnij "Time Defrost", a na wyświetlaczu pojawi się "dEF2".
2. Przekręć pokrętko "Time / Weight / Auto", aby ustawić czas rozmrażania na 5 minut;
3. Naciśnij "Microwave", a na wyświetlaczu pojawi się "P100".

4. Naciśnij kilkakrotnie "Microwave", aż pojawi się „P80”;
5. Naciśnij "Start/+30Sec./Confirm", aby potwierdzić.
6. Przekręć pokrętko "Time / Weight / Auto", aby ustawić czas gotowania na 7 minut;
7. Naciśnij przycisk "Start/+30Sec./Confirm", aby rozpocząć gotowanie.
8. Po zakończeniu słychać sygnał dźwiękowy.

### 4.8 Przycisk Stoper Kuchenny

1. Naciśnij "Kitchen Timer/Clock", a na wyświetlaczu pojawi się "00:00".
2. Przekręć pokrętko "Time / Weight / Auto", aby ustawić czas. (Maksymalne ustawienie czasu to 95 minut)
3. Naciśnij "Start/+30Sec./Confirm", aby potwierdzić.
4. Czas na ekranie zaczyna odliczanie.
5. Po zakończeniu słychać sygnał dźwiękowy.

### 4.9 Automatyczne menu

1. W trybie oczekiwania przekręć pokrętko "Time / Weight / Auto" w prawo, aby wybrać menu. Na wyświetlaczu pojawi się "A 1".
2. Przekręć pokrętko "Time / Weight / Auto", aby wybrać żądane menu, a na wyświetlaczu pojawi się "A 1" do "A 8".
3. Naciśnij "Start/+30Sec./Confirm", aby potwierdzić menu.
4. Przekręć pokrętko "Time / Weight / Auto", aby ustawić wagę.
5. Naciśnij ponownie przycisk "Start/+30Sec./Confirm", aby rozpocząć gotowanie.
6. Czas na ekranie zaczyna odliczanie.
7. Po zakończeniu słychać sygnał dźwiękowy.

## 4 Obsługa

### Tabela menu:


Menu	Waga	Moc
A 1 - Pizza	200 g	100% (Mik.)
	400 g	
A 2 - Mięso	250 g	100% (Mik.)
	350 g	
	450 g	
A 3 - Warzywa	200 g	100% (Mik.)
	300 g	
	400 g	
A 4 - Makaron	50 g (z 450 g zimnej wody)	80% (Mik.)
	100g (z 800g zimnej wody)	
A 5 - Ziemniaki	200 g	100% (Mik.)
	400 g	
	600 g	
A 6 - Ryba	250 g	80% (Mik.)
	350 g	
	450 g	
A 7 - Napój	1 kubek (ok. 120 ml)	100% (Mik.)
	2 kubki (ok. 240 ml)	
	3 kubki (ok. 360 ml)	
A 8 - Popcorn	50 g	100% (Mik.)
	100 g	

### 4.10 Szybkie gotowanie

1. W trybie oczekiwania naciśnij przycisk "Start/+30Sec./Confirm", aby gotować ze 100% poziomem mocy przez 30 sekund. Każde naciśnięcie tego samego klawisza wydłuża pracę o 30 sekund. Maksymalne ustawienie czasu to 95 minut.
2. Podczas gotowania w funkcji microwave, grill, kombi i rozmrażania czasowego, naciśnij przycisk "Start/+30Sec./Confirm", aby wydłużyć czas gotowania.

3. W trybie menu automatycznego i rozmrażania wagowego nie można wydłużyć czasu gotowania, za pomocą przycisku "Start/+30Sec./Confirm".
4. W trybie oczekiwania przekręć pokrętko "Time / Weight / Auto" w lewo, aby wybrać czas gotowania. Po ustawieniu czasu gotowania, naciśnij "Start/+30Sec./Confirm", aby rozpocząć gotowanie ze 100% mocą.

### 4.11 Blokada rodzicielska

**Blokowanie:** W trybie oczekiwania naciśnij przycisk "STOP/Clear" przez 3 sekundy, aby przejść do blokady rodzicielskiej, a bieżący czas zostanie wyświetlony, jeśli został ustawiony, w przeciwnym razie na wyświetlaczu pojawi się " ".

**Wyłączanie blokady:** W trybie blokady naciśnij przycisk "STOP/Clear" przez 3 sekundy, następnie blokada zostanie wyłączona.

### 4.12 Funkcja zapytania

1. W trybie gotowania z funkcją microwave, grill lub kombi. Naciśnij microwave lub "Grill/Combi" aby wyświetlić przez 3 sekundy bieżącą moc.
2. Jeśli zegar został ustawiony, w trybie gotowania naciśnij przycisk "Kitchen Timer/Clock", aby sprawdzić aktualną godzinę. Będzie wyświetlany przez 3 sekundy.

### 4.13 Specyfikacja

1. Jeśli w trakcie gotowania drzwiczki są otwarte, należy je zamknąć, a następnie nacisnąć przycisk "Start/+30Sec./Confirm", aby kontynuować gotowanie.
2. Po ustawieniu programu gotowania przycisk "Start/+30Sec./Confirm" nie jest aktywny przez 1 minutę. Zostanie wyświetlony aktualny czas. Ustawienie zostanie anulowane.
3. Rozlegnie się sygnał dźwiękowy, a nieaktywny przycisk nie zadziała.

## 5 Wskazówki dotyczące gotowania

Na gotowanie mogą mieć wpływ następujące czynniki:

### Ułożenie jedzenia

Grubsze miejsca należy ułożyć na zewnątrz naczynia, cieńsze do środka i równomiernie rozprowadzić. O ile to możliwe nie układaj jedzenia jedno na drugim.

### Długość czasu gotowania

Rozpocznij gotowanie od krótkiego czasu, następnie oceń wygląd potrawy i w razie potrzeby przedłuż czas gotowania. Przegotowanie może spowodować dym i oparzenia.

### Równomierne gotowanie potraw

Potrawy takie jak kurczak, hamburger lub stek należy obrócić podczas gotowania.

W zależności od rodzaju potrawy wymieszaj ją od zewnątrz do środka raz lub dwa razy podczas gotowania.

### Pozostaw do ostygnięcia

Po upływie czasu pieczenia należy zostawić potrawę w piekarniku na, co pozwoli na zakończenie cyklu pieczenia i stopniowe stygnięcie.

### Czy jedzenie jest gotowe?

Kolor i twardość żywności pomagają określić, czy jest już gotowa:

- Para wydobywająca się ze wszystkich części potrawy, nie tylko z krawędzi
- Kawałki drobiu można łatwo przesuwac
- Wieprzowina lub drób nie mają śladów krwi
- Ryba jest nieprzezroczysta i można ją łatwo pokroić widelcem

### Naczynie do przyrumieniania

Używając naczynia do podrumienienia lub pojemnika samonagrzewającego się, zawsze należy pod nim umieścić żaroodporny izolator, taki jak porcelanowy talerz, aby zapobiec uszkodzeniu talerza obrotowego i pierścienia obrotowego.

### W mikrofalówce można używać plastikowych opakowań

Podczas gotowania potraw o dużej zawartości tłuszczu nie należy dopuszczać do kontaktu folii z żywnością, ponieważ może się stopić

### W mikrofalówce można używać plastikowych naczyń

Niektóre plastikowe naczynia do gotowania w kuchni mikrofalowej mogą nie być odpowiednie do gotowania potraw o dużej zawartości tłuszczu i cukru. Nie wolno również przekraczać czasu podgrzewania podanego w instrukcji obsługi naczynia.



## 6 Instrukcja obsługi naczyń

### 6.1 Materiały, których można używać w kuchence mikrofalowej oraz materiały których należy unikać



Ryzyko obrażeń ciała Serwisowanie i naprawy urządzenia, polegające na zdejmowaniu przez osoby niekompetentne osłony chroniącej przed energią mikrofalową, jest niebezpieczne.

Patrz: instrukcje w części „Materiały, których można używać w kuchence mikrofalowej oraz materiały których należy unikać“. Istnieją pewne niemetalowe sprzęty, których nie należy używać w mikrofalówce. Jeśli masz wątpliwości, przetestuj dany sprzęt kuchenny, postępując zgodnie z poniższą procedurą.

#### Test sprzętu kuchennego:

1. Napełnij pojemnik przeznaczony do mikrofalówki szklanką zimnej wody (250 ml) i włóż do niego testowany sprzęt kuchenny.
2. Gotuj przez 1 minutę na maksymalnej mocy.
3. Ostrożnie dotknij sprzęt kuchenny. Jeśli jest ciepły, nie korzystaj z niego w kuchence mikrofalowej.
4. Nie przekraczaj czasu gotowania - 1 minuty.

<b>Materiały, które można używać w mikrofalówce</b>	
<b>Sprzęt kuchenny</b>	<b>Uwagi</b>
Folia aluminiowa	Tylko do ochrony. Małe i gładkie kawałki mogą być użyte to przykrycia części mięs lub drobiu, aby zapobiec ich przypaleniu. Jeśli folia będzie znajdować się zbyt blisko ścianek kuchenki, może to doprowadzić do iskrzenia. Folia musi znajdować się przynajmniej 2,5 cm od ścianek kuchenki.
Naczynie do przyrumieniania	Postępuj zgodnie z instrukcjami producenta. Dno naczynia do przyrumieniania musi znajdować się przynajmniej 5 mm ponad obrotowym talerzem. Niewłaściwe użytkowanie może doprowadzić do uszkodzenia obrotowego talerza.
Naczynia stołowe	Tylko bezpieczne do stosowania w kuchence mikrofalowej. Postępuj zgodnie z instrukcjami producenta. Nie używaj popękanych lub wyszczerbionych naczyń.
Szklane słoiki	Zawsze zdejmij nakrętkę. Używaj zawsze wyłącznie do lekkiego podgrzania potrawy. Większość słoików nie jest odpornych na wysoką temperaturę i mogą pęknąć..
Naczynia szklane	Tylko naczynia szklane odporne na wysoką temperaturę przeznaczone do użytku w piekarniku. Upewnij się, że nie posiadają metalicznych brzegów. Nie używaj popękanych lub wyszczerbionych naczyń.
Torebki do pieczenia w piekarniku	Postępuj zgodnie z instrukcjami producenta. Nie zamykaj metalowym drucikiem. Porób nacięcia, aby para miała się jak wydostawać.
Papierowe talerze i kubki.	Używaj tylko do krótkiego gotowania/podgrzewania. Podczas gotowania nie pozostawiaj kuchenki bez nadzoru.
Papierowe ręczniki	Używaj do przykrycia jedzenia podczas podgrzewania i do absorpcji nadmiaru tłuszczu. Używaj tylko pod nadzorem do krótkiego gotowania.
Papier pergaminowy	Używaj do przykrycia pożywienia w celu zapobieżenia pryskaniu lub owinięcia podczas gotowania na parze.

## 6 Instrukcja obsługi naczyń

Plastik	Tylko bezpieczne do stosowania w kuchence mikrofalowej. Postępuj zgodnie z instrukcjami producenta. Powinno być oznaczone „odpowiednie do użytku w kuchenkach mikrofalowych”. Niektóre plastikowe pojemniki miękną, gdy jedzenia staje się gorące. „Torebki do gotowania” oraz szczelnie zamknięte torebki plastikowe powinny być nacięte, przebite lub posiadać inne otwory, zgodnie z instrukcjami na opakowaniu.
Plastikowe opakowania	Tylko bezpieczne do stosowania w kuchence mikrofalowej. Używaj do przykrycia jedzenia podczas gotowania, aby nie wyschło. Plastikowe opakowanie nie powinno dotykać pożywienia.
Termometry	Tylko nadające się do użytku w kuchenkach mikrofalowych (termometry do mięs i dżemów).
Papier woskowy	Używaj do przykrycia, aby zapobiec pryskaniu i wysychaniu.
<b>Materiały, których należy unikać w mikrofalówce</b>	
Tacka aluminiowa	Może spowodować iskrzenie. Przelóż jedzenie do tacki nadającej się do użytku w kuchenkach mikrofalowych.
Pojemnik na żywność z metalową rączką	Może spowodować iskrzenie. Przelóż jedzenie do tacki nadającej się do użytku w kuchenkach mikrofalowych.
Naczynia metalowe lub z metalowymi krawędziami	Metal chroni żywność przed energią mikrofalową. Metalowe wykończenia mogą powodować iskrzenie.
Metalowe druciki do zamykania torebek	Mogą spowodować iskrzenie i wywołać pożar w kuchence.
Torebki papierowe	Mogą się zapalić w kuchence.
Pianka plastikowa	Pianka plastikowa może się stopić lub zanieczyścić napój znajdujący się w kubku zrobionym z pianki plastikowej, jeśli zostanie on wystawiony na działanie wysokiej temperatury.
Drewno	Drewno wyschnie gdy zostanie użyte w kuchence mikrofalowej, może ono się rozszczebić lub popękać.

# 7 Czyszczenie i konserwacja

## 7.1 Czyszczenie



**OSTRZEŻENIE:** Do czyszczenia urządzenia nie wolno używać benzyny, rozpuszczalników, szorstkich środków czyszczących, przedmiotów metalowych ani twardych szczołek.



**OSTRZEŻENIE:** Nigdy nie zanurzaj urządzenia ani kabla zasilania w wodzie ani innych płynach.

1. Wyłącz urządzenie i odłącz je od gniazdka.
2. Poczekaj, aż urządzenie całkowicie ostygnie.
3. Utrzymuj wewnątrz kuchenki w czystości. Wytrzyj ścianki mikrofalówki wilgotną szmatką, gdy przyskająca żywność lub rozlane płyny przykleją się do nich. W przypadku silnego zabrudzenia mikrofalówki można użyć łagodnego detergentu. Unikaj stosowania sprayów i innych agresywnych środków czyszczących, ponieważ mogą one powodować plamy, ślady i zmętnienie powierzchni drzwiczek.
4. Zewnętrzne powierzchnie mikrofalówki należy czyścić wilgotną szmatką. Nie pozwól, aby woda dostała się do otworów wentylacyjnych, aby zapobiec uszkodzeniu części roboczych mikrofalówki.
5. Często przecieraj obie strony drzwiczek i szybę, uszczelki drzwi i części w pobliżu uszczelek wilgotną ściereczką, aby usunąć plamy pozostawione przez wykipienie i rozpryskiwanie potraw. Nie używaj ściernych środków czyszczących.
6. Nie dopuszczaj do zamoczenia panelu sterowania. Czyść miękką wilgotną szmatką. Pozostaw drzwiczki mikrofalówki otwarte, aby zapobiec przypadkowemu uruchomieniu podczas czyszczenia panelu sterowania.
7. Jeśli para gromadzi się wewnątrz lub w okolicach drzwiczek, należy wytrzeć je miękką szmatką. Może się to zdarzyć, gdy kuchenka mikrofalowa pracuje w warunkach wysokiej wilgotności. Jest to normalne.
8. W niektórych przypadkach może być konieczne wyjęcie szklanego talerza do czyszczenia. Umyj talerz w ciepłej wodzie z mydłem lub w zmywarce.
9. Pierścień rolkowy i dno mikrofalówki należy regularnie czyścić, aby uniknąć nadmiernego hałasu.
10. Wystarczy wytrzeć dolną powierzchnię mikrofalówki łagodnym detergentem. Pierścień rolkowy talerza obrotowego można myć w ciepłej wodzie z mydłem lub w zmywarce. Kiedy wyjmujesz pierścień rolkowy z mikrofalówki w celu jego wyczyszczenia, upewnij się, że wkładasz go z powrotem w prawidłowej pozycji.
11. Aby usunąć nieprzyjemne zapachy z mikrofalówki, włóż szklankę wody i soku oraz skórkę cytryny do głębokiej miski nadającej się do użytku w kuchence mikrofalowej i włóż mikrofalówkę na 5 minut w trybie mikrofalowym. Wytrzyj i wysusz dokładnie miękką szmatką.
12. W przypadku konieczności wymiany żarówki mikrofalówki należy skontaktować się z autoryzowanym serwisem.
13. Wnętrze mikrofalówki powinno być regularnie czyszczone, a jakiegokolwiek pozostałości jedzenia usuwane. Jeśli mikrofalówka nie jest utrzymywana w czystości, może to spowodować wady powierzchni, które negatywnie wpłyną na żywotność urządzenia i mogą spowodować zagrożenie.
14. Proszę nie wyrzucać tego urządzenia razem z odpadami domowymi; stare mikrofalówki należy oddawać do specjalnych składowisk odpadów zapewnianych przez gminy.
15. Podczas korzystania z kuchenki mikrofalowej w funkcji grilla może pojawić się niewielka ilość dymu i zapachu, które znikną po pewnym czasie użytkowania.

## 7 Czyszczenie i konserwacja

### 7.2 Przechowywanie

- Jeśli urządzenie nie będzie używane przez dłuższy czas, należy je starannie przechowywać.
- Proszę upewnić się, że urządzenie jest odłączone od sieci, ostudzone i całkowicie suche.
- Urządzenie należy przechowywać w chłodnym i suchym miejscu.
- Urządzenie należy trzymać poza zasięgiem dzieci.

### 7.3 Przenoszenie i transport

- Urządzenie należy przenosić i transportować w oryginalnym opakowaniu.
- Zabezpiecza ono urządzenie przed fizycznymi uszkodzeniami.
- Nie wolno umieszczać ciężkich ładunków na urządzeniu lub opakowaniu. Może to spowodować uszkodzenie urządzenia.

## 8 Rozwiązywanie problemów

Normalne	
Kuchenka mikrofalowa zakłóca odbiór telewizora	Odbiór radia i telewizora może być zakłócony podczas pracy mikrofalówki. Jest to podobne do zakłóceń wywołanych małymi urządzeniami elektrycznymi, np. mikserem, odkurzaczem i wentylatorem. Jest to normalne.
Oświetlenie mikrofalówki jest przyćmione	Podczas gotowania mikrofalowego na małej mocy lampka może świecić mniej intensywnie. Jest to normalne.
Para zbierająca się na drzwiczkach, gorące powietrze wydobywające się z otworów wentylacyjnych	Podczas gotowania z potraw może wydostawać się para. Większość z niej wydostanie się otworami wentylacyjnymi. Jej część jednak może schłodzić się na drzwiczkach. Jest to normalne.
Mikrofalówka bez żywności w środku została przypadkowo włączona	Zabrania się włączania pustej kuchenki mikrofalowej. Jest to bardzo niebezpieczne.

Problem	Możliwe przyczyny	Rozwiązanie
Nie można uruchomić mikrofalówki.	1) Kabel zasilania nie jest prawidłowo podłączony.	Wyjmij go z gniazdka i włóż ponownie po 10 sekundach.
	2) Przepalony bezpiecznik lub zadziałał wyłącznik automatyczny.	Wymień bezpiecznik lub zresetuj automatyczny wyłącznik (naprawa powinna być wykonana przez wykwalifikowaną osobę z naszej firmy).
	3) Problem z gniazdkiem.	Sprawdź gniazdko przy pomocy innego sprzętu elektrycznego.
Mikrofalówka nie podgrzewa	4) Drzwiczki nie są prawidłowo zamknięte.	Zamknij dobrze drzwiczki.

Drodzy Klienci,

Dziękujemy za zakup naszych produktów. Jesteśmy przekonani, że nasze urządzenia będą służyć przez lata. Każdy produkt firmy Beko jest objęty 2-letnim okresem gwarancji.

### **Warunki gwarancji Beko S.A. (małe urządzenia AGD)**

BEKO spółka akcyjna z siedzibą w Warszawie (02-819), przy ulicy Puławskiej 366, wpisana do rejestru przedsiębiorców prowadzonego przez Sąd Rejonowy dla m.st. Warszawy w Warszawie, XIII Wydział Gospodarczy Krajowego Rejestru Sądowego, pod numerem: 0000078147 (dalej: „BEKO”) udziela gwarancji jakości (dalej: „Gwarancja”) na wprowadzone przez BEKO do obrotu na terenie Polski produkty marki BEKO (dalej: „Urządzenia”) osobom, które nabyły te produkty („Użytkownik”) na następujących warunkach:

#### **I. ZAKRES OCHRONY.**

BEKO gwarantuje, że Urządzenie zakupione przez Użytkownika jest wolne od wad produkcyjnych lub materiałowych, powstałych z przyczyn tkwiących w tym Urządzeniu (dalej: „Wada”), które ujawnią się w ciągu terminu określonego w części II. niniejszych Warunków Gwarancji (dalej: „Okres Gwarancyjny”).

W razie ujawnienia się Wady Produktu w trakcie Okresu Gwarancyjnego, zostanie ona usunięta na koszt BEKO w sposób uzależniony od właściwości wady, na zasadach i w zakresie określonym w niniejszych Warunkach Gwarancji.

BEKO zobowiązuje się do usunięcia Wady poprzez dokonanie nieodpłatnej naprawy lub wymiany Urządzenia, bądź też reklamacja zgłoszona na podstawie niniejszych Warunków Gwarancji zostanie rozpatrzona w inny sposób uzgodniony przez BEKO i Użytkownika.

Udzielona gwarancja jest ważna na terytorium Rzeczypospolitej Polskiej.

#### **II. CZAS TRWANIA GWARANCJI.**

Okres Gwarancyjny wynosi 24 miesiące licząc od daty zakupu Urządzenia przez pierwszego Użytkownika.

#### **III. PROCEDURA ZGŁOSZENIA REKLAMACYJNEGO.**

Wady Urządzenia ujawnione w Okresie Gwarancyjnym będą usuwane pod warunkiem przedstawienia przez Użytkownika dowodu zakupu tego Urządzenia zawierającego oznaczenia niezbędne do jego identyfikacji (model, datę zakupu).

Uprawnienia wynikające z niniejszych Warunków Gwarancji mogą być zrealizowane przez Użytkownika wyłącznie w Autoryzowanych Punktach Serwisowych BEKO (dalej: „Serwis”) po uprzednim dokonaniu zgłoszenia na Infolinii BEKO pod numerem telefonu: 22 250 14 14. Urządzenie powinno być odpowiednio zapakowane i zabezpieczone przez Użytkownika na czas transportu do punktu serwisowego Beko.

Wady Urządzenia będą usunięte w terminie 14 dni od daty zgłoszenia Wady na Infolinii BEKO. Jeżeli część zamienna wymieniana w ramach uprawnień wynikających z niniejszych Warunków Gwarancji Urządzenia jest sprowadzana z zagranicy, termin naprawy, o którym mowa w punkcie 5 powyżej, może ulec wydłużeniu jednak, nie więcej niż do 30 dni licząc

odpowiednio od daty zgłoszenia Wady na Infolinii BEKO. Informacje o spodziewanych terminach napraw dostępne są na Infolinii BEKO pod numerem 22 250 14 14. Po usunięciu Wady, Urządzenie zostanie dostarczone Użytkownikowi na koszt BEKO.

#### **IV. WYŁĄCZENIA.**

Warunkiem skorzystania z niniejszych Warunków Gwarancji jest:

- użytkowanie Urządzenia zgodnie z Instrukcją Obsługi dołączoną do tego Urządzenia i jego przeznaczeniem, jak również odpowiednie czyszczenie i konserwacje Urządzenia;
- użytkowanie w warunkach indywidualnego gospodarstwa domowego. Urządzenie nie jest używane do celów prowadzenia działalności gospodarczej lub w zastosowaniach eksploatacji masowej, w szczególności w gastronomicznej działalności hoteli, restauracji i innych obiektów turystyczno-rekreacyjnych lub zbiorowego żywienia. Stosowanie osprzętu zalecanego przez producenta; brak ingerencji w Urządzenie przez osoby do tego nieupoważnione; brak ingerencji w tabliczkę znamionową z numerem seryjnym Urządzenia.

Udzielona przez Beko Gwarancja nie obejmuje:

- wad powstałych z przyczyn innych niż tkwiące w Urządzeniu;
- normalnego zużycia elementów eksploatacyjnych tj. akumulatory, baterie, noże, filtry, żarówki, szczotki, itp.;
- czynności przewidzianych w Instrukcji Obsługi, do wykonania których zobowiązany jest Użytkownik Urządzenia we własnym zakresie i na swój koszt, w tym: instruktażu dotyczącego obsługi Urządzenia, instalacji oraz regulacji urządzenia.
- usterek powstałych w wyniku nieprawidłowego lub niewłaściwego użytkowania, niedbalstwa, przypadkowego uszkodzenia Urządzenia, nieodpowiedniego napięcia prądu lub dokonania jakichkolwiek zmian, które mają wpływ na niewłaściwe działanie Urządzenia, i które naprawiane były przez osoby nieupoważnione, używania instalacji niezgodnych z odpowiednimi Polskimi Normami i innych niż wymienione w Instrukcji Obsługi Urządzenia; uszkodzeń mechanicznych, termicznych, chemicznych, korozji, innych uszkodzeń spowodowanych działaniem lub zaniedbaniem Użytkownika lub powstałych na skutek działania sił zewnętrznych (do których zalicza się w szczególności wyładowania atmosferyczne, skoki napięcia, wszystkiego rodzaju awarie domowej instalacji wodno-kanalizacyjnej, itp.), a także powstałych na skutek przedostania się zanieczyszczeń lub ciał obcych do Urządzenia, zakamienienia (proces odkamieniania musi być przeprowadzany zgodnie z instrukcją obsługi z użyciem odpowiednich środków czyszczących) elementów ze szkła, plastiku oraz porcelany; odbarwień Urządzenia lub poszczególnych jego części;
- usterek powstałych na skutek przechowywania i użytkowania Urządzenia w warunkach, które są niezgodne z normalnymi warunkami domowymi określonymi wymaganiami powszechnie obowiązujących przepisów prawa i odpowiednich Polskich Norm;

#### **V. POZOSTAŁE POSTANOWIENIA.**

Niniejsze warunki gwarancji mają zastosowanie do Urządzeń zakupionych od dnia 01.03.2019 r. Gwarant oświadcza, że niniejsza Gwarancja jest udzielana Użytkownikowi dodatkowo i nie wyłącza, nie ogranicza ani nie zawiesza uprawnień Użytkownika wynikających z przepisów o rękojmi za wady rzeczy sprzedanej na podstawie Kodeksu cywilnego.


## Ju lutemi lexoni në fillim këtë manual!


I dashur klient,

Ju falënderojmë që keni blerë një produkt të Beko-s. Ne shpresojmë që të merrni rezultatet më të mira nga produkti juaj i cili është prodhuar me cilësi të lartë dhe me një teknologji të përparuar. Prandaj, para se ta përdorni këtë produkt, ju lutemi ta lexoni plotësisht e me kujdes këtë manual përdorimi dhe dokumentet shoqëruese dhe t'i ruani për t'iu referuar në të ardhmen. Nëse ia jepni produktin dikujt tjetër, jepini edhe këtë manual përdorimi. Ndiqni të gjitha paralajmërimet dhe informacionet që gjenden në manualin e përdorimit.


### Kuptimet e simboleve

Simbolet e mëposhtme përdoren në pjesë të ndryshme të këtij manuali përdorimi:

	Informacione të rëndësishme dhe sugjerime të dobishme për përdorimin.
--	---

	Paralajmërim për situata të rrezikshme në lidhje me sigurinë e jetës dhe të pronës.
--	---

	Paralajmërim për sipërfaqe të nxehta.
--	---------------------------------------

	Paralajmërim për goditje elektrike.
--	-------------------------------------

	Paralajmërim për rrezik nga zjarri.
--	-------------------------------------



Ky produkt është prodhuar në fabrika moderne që respektojnë mjedisin pa e dëmtuar aspak natyrën.

# 1 Udhëzime të rëndësishme për sigurinë dhe mjedisin

## Udhëzime të rëndësishme për sigurinë Lexojini me kujdes dhe ruajini për t'iu referuar në të ardhmen

### 1.1 Paralajmërime për sigurinë

Kjo pjesë përmban udhëzime për sigurinë që do të ndihmojnë për t'u mbrojtur nga rreziku i zjarrit, goditjet elektrike, ekspozimi ndaj rrjedhjeve të energjisë mikrovalë, lëndimet personale ose dëmtimet e pronës. Mosrespektimi i këtyre udhëzimeve do të bëjë të pavlefshme të gjitha garancitë.

- Furrat me Mikrovalë Beko përputhen me standardet e zbatueshme të sigurisë; prandaj, në rast të çdo dëmtimi në pajisje ose të kabllit elektrik, ato duhen riparuar ose ndërruar nga shitësi, qendra e servisit ose një specialist dhe shërbim i autorizuar i ngjashëm për të shmangur çdo rrezik. Riparimet e gabuara ose të pakualifikuara mund të jenë të rrezikshme dhe të shkaktojnë rrezik për përdoruesin.

- Kjo pajisje është projektuar për përdorim në shtëpi ose përdorime të ngjashme, si p.sh.:
  - Zonat e kuzhinës së personelit në dyqane, zyra dhe ambiente të tjera pune;
  - Në shtëpi në ferma
  - Nga klientët në hotele, dhe ambiente të tjera banimi;
  - Ambiente të tipit të moteleve me mëngjes.
- Ai nuk është i përshtatshëm për përdorim industrial ose laboratorik.
- Mos u përpiqni ta ndizni furrën kur dera është e mbyllur; përndryshe mund të ekspozoheni ndaj energjisë së dëmshme mikrovalë. Bllokuesit e sigurisë nuk duhen çaktivizuar ose manipuluar.
- Furra me mikrovalë duhet përdorur për të ngrohur ushqime dhe pije. Tharja e ushqimeve ose veshjeve dhe ngrohja e jastëkëve ngrohës, pantoflave, sfungjerëve, leckave të njoma dhe gjëra të ngjashme mund të shkaktojnë rrezik lëndimi, marrje flakë ose zjarr.



# 1 Udhëzime të rëndësishme për sigurinë dhe mjedisin

- Mos vendosni ndonjë objekt midis anës ballore dhe derës së furrës. Mos lejoni të krijohen pislleqe ose mbetje agjentësh pastrues në sipërfaqet e mbylljes.
- Çdo punë shërbimi që përfshin heqjen e kapakut që siguron mbrojtje kundër ekspozimit ndaj energjisë mikrovalë duhet të kryhet nga personat/shërbimi i autorizuar. Çdo qasje tjetër është e rrezikshme.
- Produkti juaj është për të gatuar, ngrohur dhe shkrirë ushqimin në shtëpi. Ai nuk duhet të përdoret për qëllime tregtare.
- Furra nuk është projektuar për të tharë ndonjë qenie të gjallë.
- Mos e përdorni pajisjen për të tharë rroba ose peshqirë kuzhine.
- Mos e përdorni këtë pajisje jashtë, në banja, në ambiente të lagështa ose në vende ku mund të laget.
- Nuk duhet të pretendohet asnjë përgjegjësi ose garanci për dëmet që vijnë nga keqpërdorimi ose përdorimi i papërshtatshëm i pajisjes.
- Kurrë mos u përpiqni ta çmontoni pajisjen. Nuk pranohet asnjë pretendim garancie për dëmet e shkaktuara nga përdorimi i papërshtatshëm.
- Përdorni vetëm pjesë origjinale ose pjesë të rekomanduara nga prodhuesi.
- Mos e lini këtë pajisje pa mbikëqyrje kur është në punë.
- Gjithmonë përdoreni këtë pajisje në një sipërfaqe të qëndrueshme, të sheshtë, të thatë e të pastër dhe të parrëshqitshme.
- Pajisja nuk duhet vënë në përdorim me një kohëmatës të jashtëm ose sistem tjetër të telekomanduar.
- Para se ta përdorni pajisjen për herë të parë, pastroni të gjitha pjesët. Ju lutemi shihni detajet që jepen në pjesën “Pastrimi dhe mirëmbajtja”.
- Përdoreni pajisjen vetëm për qëllimin e duhur siç përshkruhet në këtë manual.
- Pajisja nxeht shumë kur është në punë. Kini kujdes të mos prekni pjesët e nxehta brenda furrës.

# 1 Udhëzime të rëndësishme për sigurinë dhe mjedisin

- Mos e vini në punë pajisjen kur është bosh.
- Ena e gatimit mund të nxehtet për shkak të nxehtësisë që përçohet nga ushqimi i nxehtë tek ena. Mund t'ju nevojiten dorashka furre për të mbajtur enën.
- Enët duhen kontrolluar për t'u siguruar që janë të përshtatshme për t'u përdorur në furrat me mikrovalë.
- Mos e vendosni furrën mbi vatra ose pajisje të tjera që prodhojnë nxehtësi. Përndryshe, ajo mund të dëmtohet dhe garancia bëhet e pavlefshme.
- Mund të dalë avull kur hiqni kapakët ose letrën e aluminit pas gatimit të ushqimit.
- Pajisja dhe sipërfaqet e saj të arritshme mund të nxehten shumë kur pajisja është në punë.
- Dera dhe xhami i jashtëm mund të nxehten shumë kur pajisja është në punë.
- Sigurohuni që rryma elektrike të jetë në përputhje me informacionet e treguara tek etiketa me të dhënat e pajisjes.
- E vetmja mënyrë për të shkëputur pajisjen nga rryma elektrike është të hiqni spinën nga priza.
- Përdoreni pajisjen vetëm me një prizë me tokëzim.
- Kurrë mos e përdorni pajisjen nëse kabllloja e saj ose vetë pajisja është e dëmtuar.
- Mos e përdorni këtë pajisje me një kabëll zgjatues.
- Kurrë mos e prekni pajisjen ose spinën e saj me duar të njoma ose të lagura.
- Vendoseni pajisjen në një mënyrë që spina të jetë gjithmonë e arritshme.
- Parandaloni dëmtimin e kablllos elektrike duke mos e shtypur, përkulur ose fërkuar në cepa të mprehtë. Mbajeni kabllon elektrike larg sipërfaqeve të nxehta dhe flakëve të zjarrit.
- Sigurohuni që të mos ketë asnjë rrezik që kablli elektrik të tërhiqet aksidentalisht ose që të dikush të pengohet mbi të kur pajisja është në përdorim.

# 1 Udhëzime të rëndësishme për sigurinë dhe mjedisin

- Hiqeni pajisjen nga priza para se ta pastroni dhe kur pajisja nuk është në punë.
- Mos e tërhiqni kabllin e pajisjes për ta shkëputur atë nga rryma dhe kurrë mos e mbështillni kabllin rrotull pajisjes.
- Mos e zhytni pajisjen, kabllin elektrik ose prizën në ujë a në ndonjë lëng tjetër. Mos lini që të bjerë ujë mbi të.
- Kur e ngrohni ushqimin në enë plastike ose kartoni, mbajini sytë te furra pasi ekziston mundësia që ena të marrë flakë.
- Hiqni lidhëset prej teli dhe/ose dorezat metalike të qeseve prej kartoni ose plastike para se t'i vini qeset në furrë.
- Nëse vëreni tym, është mirë ta fikni ose ta hiqni nga priza pajisjen dhe ta mbani derën mbyllur që të fikën flakët.
- Mos e përdorni furrën me mikrovalë për të magazinuar gjëra. Mos lini sende kartoni, materiale gatimi ose ushqime brenda furrës kur ajo nuk po përdoret.
- Përmbajtja e shisheve ushqyese dhe e kavanozave me ushqim të foshnjave duhet trazuar ose shkundur dhe temperatura duhet kontrolluar para konsumimit, për të shmangur djegiet.
- Kjo është një pajisje ISM e Grupit 2 Klasa B. Në Grupin 2 futen të gjitha pajisjet ISM (Industriale, Shkencore dhe Mjekësore) në të cilat energjia e radio-frekuencave prodhohet dhe/ose përdoret qëllimisht në formën e rrezatimit elektromagnetik për trajtimin e materialeve, dhe pajisjet me erozionin me shkëndijë.
- Pajisjet e Klasës B janë të përshtatshme për t'u përdorur në ambiente shtëpiake dhe në ambiente të lidhura drejtpërdrejt me një rrjet energjie me voltazh të ulët.
- Mos përdorni në furrë vaj gatimi. Vaji i nxehtë mund të dëmtojë përbërësit dhe materialet e furrës dhe ai madje mund të shkaktojë djegie në lëkurë.
- Shpojini ushqimet me lëkurë të trashë si për shembull patatet, kungujt, mollët dhe gështenjat.

# 1 Udhëzime të rëndësishme për sigurinë dhe mjedisin

- Pajisja duhet vendosur në atë mënyrë që ana e pasme të jetë nga muri.
- Para se ta lëvizni pajisjen, fiksojeni platformën rrotulluese që të parandaloni dëmet.
- Vezët me lëvozhgë dhe vezët e ziera të pacopëtuara nuk duhen ngrohur në furrën me mikrovalë pasi mund të shpërthejnë, madje edhe pasi ngrohja me mikrovalë ka përfunduar.
- Furra duhet pastruar rregullisht dhe çdo mbetje ushqimesh duhet hequr.
- Duhet të ketë të paktën 20 cm hapësirë të lirë mbi sipërfaqen e sipërme të furrës.
- Mos i gatuani tepër ushqimet, përndryshe, mund të shkaktoni zjarr.
- Mos përdorni lëndë kimike dhe pastrues me avull për të pastruar pajisjen.

**PARALAJMËRIM:** Nëse dera ose guarnicioni i derës janë të dëmtuar, furra nuk duhet të vihet në punë derisa ato të jenë riparuar nga një person kompetent.

**PARALAJMËRIM:** Është e rrezikshme për këdo përveç një personi kompetent të bëjë ndonjë veprim shërbimi ose riparimi që përfshin heqjen e kapakut i cili mbron nga ekspozimi ndaj energjisë mikrovalë.

**PARALAJMËRIM:** Lëngjet dhe ushqimet e tjera nuk duhen ngrohur në enë hermetike pasi ato mund të shpërthejnë.

- Këshillohet kujdes ekstrem kur përdoret pranë fëmijëve dhe personave që kanë kufizime në aftësitë e tyre fizike, ndijore ose mendore.
- Kjo pajisje mund të përdoret nga fëmijët e moshës 8 vjeç e sipër dhe nga personat me kapacitete të kufizuara fizike, ndijore ose mendore, ose me mungesë të përvojës dhe njohurive, për sa kohë mbikëqyren ose udhëzohen në lidhje me përdorimin e sigurt të pajisjes nga një person përgjegjës dhe i kuptojnë rreziqet. Fëmijët nuk duhet të luajnë me pajisjen.

# 1 Udhëzime të rëndësishme për sigurinë dhe mjedisin

- Procedurat për pastrimin dhe mirëmbajtjen nuk duhet të kryhen nga fëmijët përveç rastit kur ata janë të mbikëqyrur nga të rritur.
- **Rrezik mbytjeje!** Mbajini të gjitha materialet e paketimit larg fëmijëve.
  - Për shkak të nxehtësisë së tepërt që krijohet në modalitetet me skarë dhe të kombinuar, fëmijët duhet të lejohen t'i përdorin këto modalitete vetëm nën mbikëqyrjen e një të rrituri.
  - Mbajeni produktin dhe kabllin e tij elektrik në atë mënyrë që të mos arrihet nga fëmijët e moshës nën 8 vjeç.
  - Mos gatuani ushqim drejtpërdrejt te pjata prej xhami. Vendoseni ushqimin në / mbi enë kuzhine të përshtatshme para se t'i vendosni ato në furrë.
  - Enët metalike për ushqimet dhe pijet nuk lejohen gjatë gatimit me mikrovalë. Përndryshe mund të ndodhin shkëndija.
  - Furra me mikrovalë nuk duhet vendosur në një mobilie që nuk përputhet me udhëzimet e montimit.
  - Furra me mikrovalë është projektuar vetëm për përdorim inkaso.
  - Nëse pajisjet inkaso që përdoren janë 900 mm ose më shumë mbi dysheme, duhet treguar kujdes që të mos zhvendoset platforma rrotulluese kur hiqen enët nga pajisja.
  - Nëse produkti inkaso është në një mobilie me derë, produkti duhet vënë në punë me derën e mobilies hapur.

## 1.2 Përputhja me direktivën WEEE dhe hedhja e produktit pas përdorimit:

Ky produkt është në përputhje me Direktivën EU, WEEE (2012/19/EU). Ky produkt ka një simbol klasifikimi për pajisjet elektrike dhe elektronike të përdorura (WEEE).



Ky simbol tregon se ky produkt nuk duhet hedhur me mbeturina të tjera shtëpiake në fund të ciklit të tij të jetës. Pajisja e përdorur duhet rikthyer në pikën zyrtare të grumbullimit për riciklimin e pajisjeve elektrike dhe elektronike. Për këto pika grumbullimi mund të pyesni pranë autoriteteve lokale ose shitësit ku u ble produkti. Çdo familje luan një rol të rëndësishëm për rikuperimin dhe riciklimin e pajisjeve të vjetra.

# 1 Udhëzime të rëndësishme për sigurinë dhe mjedisin

Asgjësimi i duhur i pajisjeve të përdorura parandalon pasojat negative për mjedisin dhe shëndetin e njerëzve.

## 1.3 Pajtimi me direktivën RoHS

Produkti që keni blerë është i pajtueshëm me Direktivën EU RoHS (2011/65/EU). Ai nuk përmban materiale të dëmshme dhe të ndaluara të specifikuara në Direktivë.

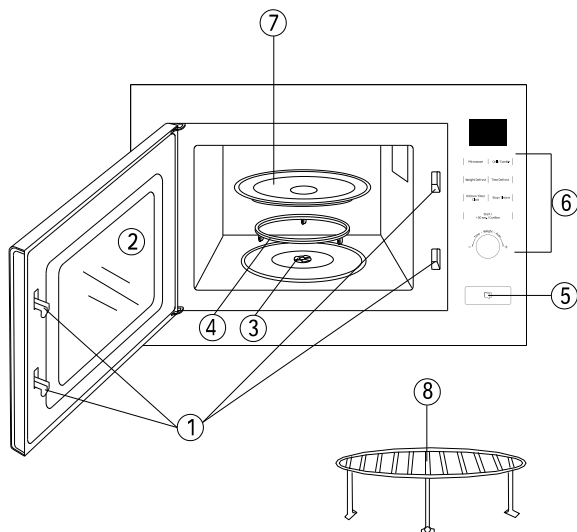
## 1.4 Informacione për ambalazhin



Materialet e paketimit të produktit prodhohen nga materiale të riciklueshme në përputhje me Rregulloret tona Kombëtare për Mjedisin. Mos i hidhni materialet e paketimit bashkë me mbeturinat familjare ose mbeturinat e tjera. Çojini ato te pikat e grumbullimit për materialet e paketimit të përcaktuara nga autoritetet lokale.

## 2 Furrë juaj me mikrovalë

### 2.1 Pamja e përgjithshme



1. Sistemi i bllokimit për sigurinë e derës
2. Dritarja e furrës
3. Boshti i platformës rrotulluese
4. Mbajtësja e platformës rrotulluese
5. Butoni për hapjen e derës
6. Paneli i kontrollit
  - Microwave
  - Grill / Combi.
  - Weight Defrost
  - Time Defrost
  - Kitchen Timer Clock
  - Stop / Clear
  - Start/+30Sec./Confirm
  - Time / Weight / Auto
7. Pjata prej xhami
8. Këmbaleci i skarës ( Nuk mund të përdoret në funksionin mikrovalë dhe duhet vendosur mbi pjatën prej xhami )

### 2.2. Të dhënat teknike

<b>Konsumi i energjisë</b>	230 V~50 Hz, 1270 W (Mikrovala) 1000 W (Skara)
<b>Fuqia</b>	800 W
<b>Frekuenca e operimit</b>	2450 MHz
<b>Përmasat e jashtme (La x Gje x The) mm</b>	387x594x333
<b>Kapaciteti i furrës</b>	20 Litra
<b>Pesha neto</b>	16,5 kg
<b>Ngjyra</b>	E zezë

Të drejtat e modifikimeve teknike dhe të dizajnit janë të rezervuara.

Markat në pajisje ose vlerat e deklaruara në dokumentet e tjera të dhëna bashkë me produktin janë vlera të siguruar në kushte laboratorike në përputhje me standardet përkatëse. Këto vlera mund të ndryshojnë në përputhje me përdorimin e pajisjes dhe kushtet e ambientit. Vlerat e fuqisë janë testuar në 230 V.

## 3 Montimi dhe lidhja

### 3.1 Udhëzimet për instalimin

- Kini parasysh udhëzimet e veçanta për instalimin.
- Pajisja mund të instalohet në një raft të montuar në mur me gjerësi 60 cm.
- Pajisja është e pajisur me një spinë dhe duhet të lidhet me një prizë me tokëzim të instaluar në mënyrën e duhur.
- Voltazhi i rryjetit kryesor duhet të jetë në përputhje me voltazhin e specifikuar në pllakën e të dhënave nominale.
- Priza duhet të instalohet dhe kabllot e lidhjes duhet të zëvendësohet vetëm nga një electricist i kualifikuar. Nëse spina nuk është më e arritshme pas instalimit, në anën e instalimit duhet të jetë e pranishme një pajisje shkëputëse për të gjitha lidhjet me një distancë kontakti të paktën 3 mm.



**PARALAJMËRIM:** Nuk duhet të përdoren adaptorë, kablot zgjatimi dhe zgjatues me shumë priza. Mbingarkesa mund të shkaktojë rrezik zjarri.

### 3.2 Lidhja elektrike

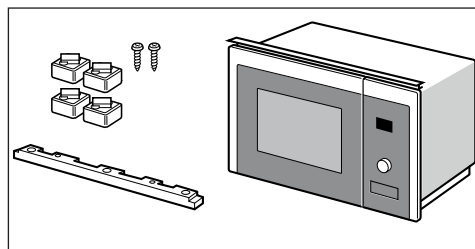
- Pajisja është e pajisur me një spinë dhe duhet të lidhet me një prizë me tokëzim të instaluar në mënyrën e duhur.
- Vetëm një electricist i kualifikuar që merr parasysh rregulloret e duhura mund ta instalojë prizën ose të zëvendësojë kabllon e lidhjes.
- Nëse spina nuk është më e arritshme pas instalimit, në anën e instalimit duhet të jetë e pranishme një çelës izolues për të gjitha lidhjet me një distancë kontakti të paktën 3 mm.
- Mbrojtja e kontaktit duhet të sigurohet nga instalimi.

### 3.3 Pajisja në një njësi e varur në mur

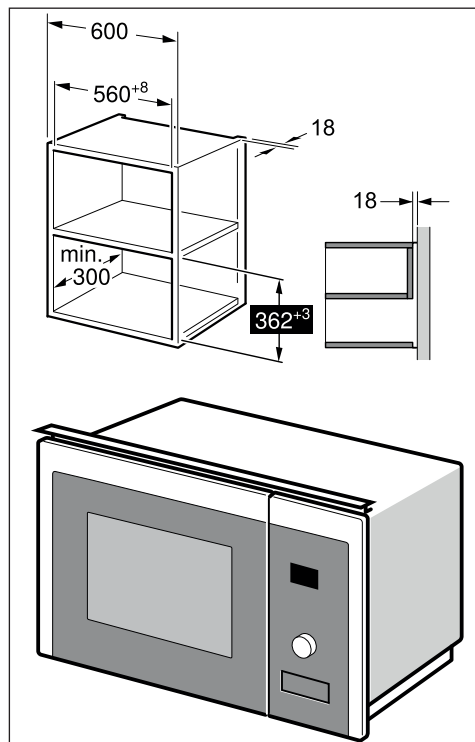
Rafti i instalimit nuk duhet të ketë një panel të pasmë prapa pajisjes.

Lartësia minimale e instalimit: 850 mm. Vrimat e ventilimit dhe hyrjet nuk duhet të mbuloohen.

Pjesët;



### Pajisja në një njësi e varur në mur





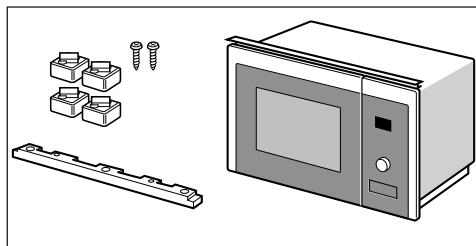
## 3 Montimi dhe lidhja

### 3.4 Pajisja në një njësi të gjatë

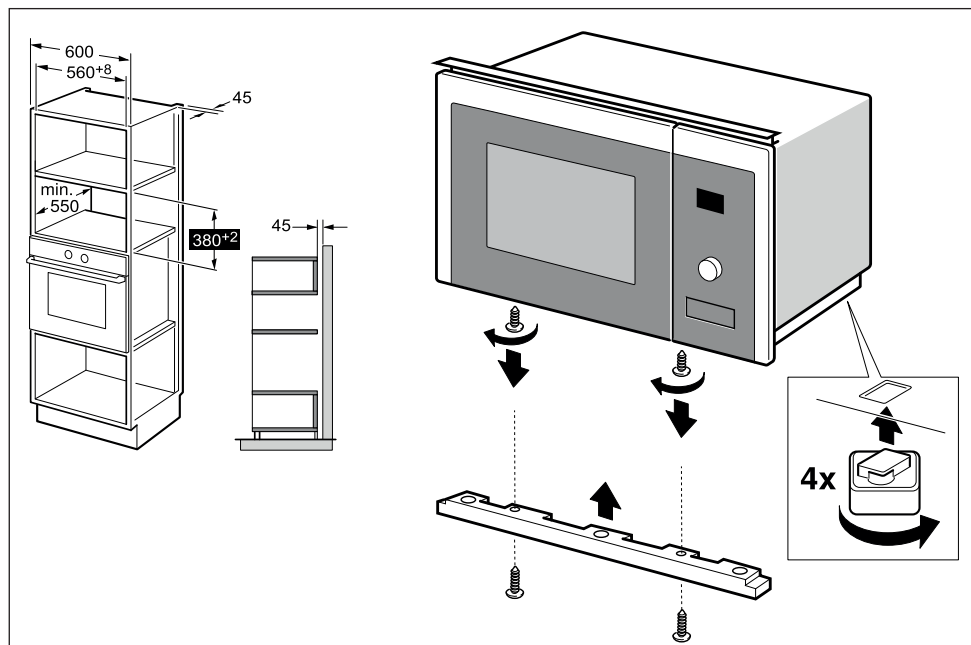
Rafti i instalimit nuk duhet të ketë një panel të pasmë prapa pajisjes.

Lartësia minimale e instalimit: 850 mm. Vrimat e ventilimit dhe hyrjet nuk duhet të mbuloohen.

#### Pjesët;



#### Pajisja në një njësi të gjatë

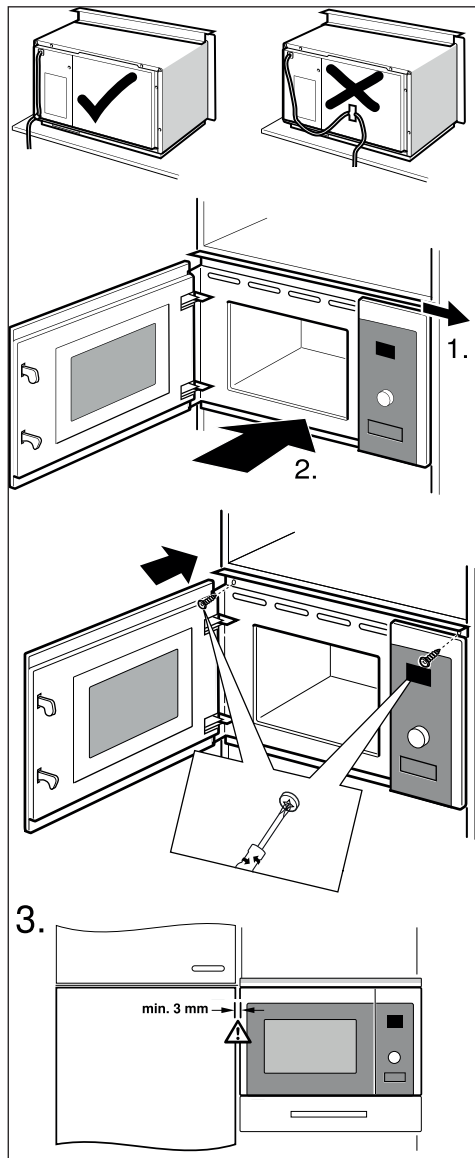


## 3 Montimi dhe lidhja

### 3.5 Instalimi i furrës



**PARALAJMËRIM:** Mos e ngecni ose përdridhni kabllon elektrike.



### 3.6 Montimi i platformës rrotulluese

- Kurrë mos e vendosni pjatën prej xhami përmbyss. Pjata prej xhami nuk duhet kufizuar kurrë.
- Gjatë gatimit duhen përdorur gjithmonë edhe pjata prej xhami, edhe platforma rrotulluese.
- Të gjitha ushqimet dhe enët e ushqimeve duhen vendosur gjithmonë mbi pjatën prej xhami që të gatohen.
- Nëse pjata prej xhami ose platforma rrotulluese krisen ose thyhen, kontaktoni qendrën e autorizuar të servisit që ndodhet më afër.

Qendra (ana e poshtme)

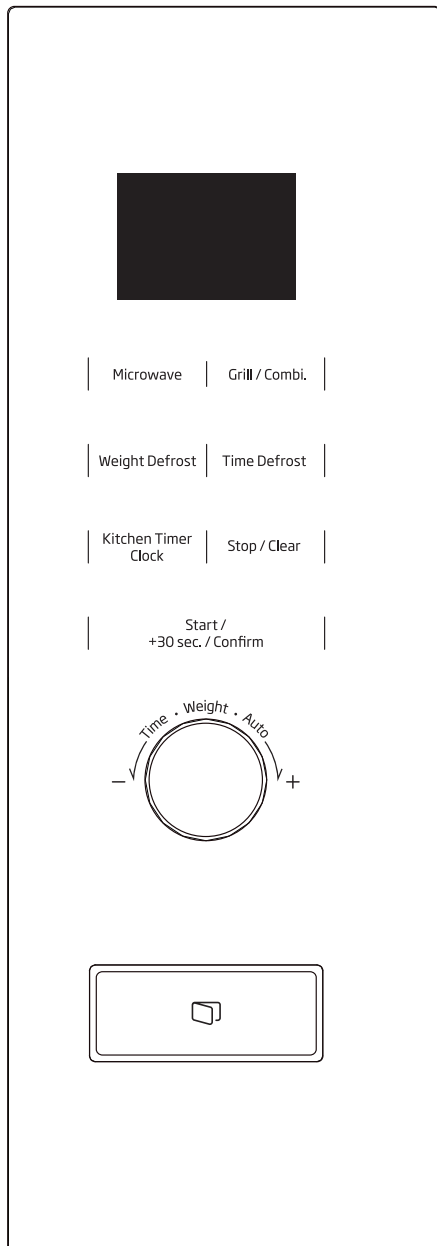
Pjata prej xhami

Boshti i platformës rrotulluese

Mbjajtësja e platformës rrotulluese

## 4 Përdorimi

### 4.1 Paneli i kontrollit



### 4.2 Vendosja e orës

Kur furra me mikrovalë vihet në korrent, në furrë do të shfaqet "0:00" dhe do të bjerë një herë sinjali. Furra do të kalojë në gjendjen e pritjes.

1. Shtypni dy herë "Kitchen Timer/Clock" dhe shifrat për orët do të fillojnë të pulsojnë.
2. Rrotulloni "Time / Weight / Auto" për të rregulluar orën; vlera e hyrjes duhet të jetë 0 deri në 23.
3. Shtypni "Kitchen Timer/Clock" dhe shifrat për minutat do të fillojnë të pulsojnë.
4. Rrotulloni "Time / Weight / Auto" për të rregulluar minutat; vlera e hyrjes duhet të jetë 0 deri në 59.
5. Shtypni "Kitchen Timer/Clock" për të përfunduar përcaktimin e kohës. Simboli ":" do të pulsojë dhe do të ndriçohet ora.



Nëse ora nuk është caktuar, ajo nuk do të punojë kur të ndizet pajisja.

### 4.3 Gatimi me mikrovalë

1. Shtypni një herë butonin "Microwave" dhe do të shfaqet "P100".
2. Shtypni përsëri "Microwave" ose rrotulloni "Time / Weight / Auto" për të zgjedhur fuqinë e dëshiruar. Sa herë që shtypni butonin, do të shfaqen përkatësisht "P100", "P80", "P50", "P30" ose "P10".
3. Shtypni "Start/+30 Sec./Confirm" për të konfirmuar fuqinë e dëshiruar.
4. Rrotulloni "Time / Weight / Auto" për të caktuar kohën e gatimit në një vlerë nga 0:05 dhe 95:00.
5. Shtypni përsëri "Start/+30 Sec./Confirm" për të filluar të gatuar.
6. Koha në ekran fillon numërimin mbrapsht.
7. Pas përfundimit të procesit mund të dëgjoni tingullin "bip".

## 4 Përdorimi

Hapat për rregullimin e kohës në butonin e kodeve janë si më poshtë:

Caktimi i kohëzgjatjes	Niveli i rritjes
0-1 minuta	5 sekonda
1-5 minuta	10 sekonda
5-10 minuta	30 sekonda
10-30 minuta	1 minutë
30-95 minuta	5 minuta

### Tabela e fuqisë së mikrovalës

Fuqia e mikrovalës	E lartë	Mesatare/e lartë	Mesatare	Mesatare E ulët	E ulët
Ekрани	P100	P80	P50	P30	P10

### 4.4 Gatimi me skarë ose i kombinuar

- Shtypni një herë “Grill/Comb.” dhe në ekran do të shfaqet “G”.
- Shtypni vazhdimisht ose rrotulloni “Time / Weight / Auto” për të zgjedhur fuqinë që dëshironi dhe do të shfaqet “G”, “C-1” ose “C-2”.
- Shtypni “Start/+30Sec./Confirm” për të konfirmuar fuqinë.
- Rrotulloni “Time / Weight / Auto” për të caktuar kohën. (Kohëzgjatja maksimale e gatimit është 95 minuta)
- Shtypni përsëri “Start/+30 Sec./Confirm” për të filluar të gatuar.
- Koha në ekran fillon numërimin mbrapsht.
- Pas përfundimit të procesit mund të dëgjoni tingullin “bip”.

### Udhëzimet për kombinimin e fuqisë

Programi	Ekрани	Fuqia e mikrovalës	Fuqia e skarës
Skara	G	0%	100%
Kombinimi 1	C-1	55%	45%
Kombinimi 2	C-2	36%	64%



Nëse kalon gjysma e kohës së skarës, furra lëshon dy sinjale dhe kjo është normale. Për të pasur një efekt më të mirë në pjekjen e ushqimeve, duhet t'i ktheni ushqimet në anën tjetër, të mbyllni derën dhe më pas të shtypni “Start/+30Sec./Confirm” për të vazhduar të gatuar. Nëse nuk përdoret, furra do të vazhdojë të punojë.

### 4.5 Shkrirja sipas peshës

- Shtypni një herë “Weight Defrost” (Shkrirja sipas peshës) dhe në ekran do të shfaqet “dEF1”.
- Rrotulloni “Time / Weight / Auto” për të zgjedhur peshën e ushqimeve. Diapazoni i peshës është 100-2000 g.
- Shtypni përsëri “Start/+30 Sec./Confirm” për të filluar shkrirjen.
- Koha në ekran fillon numërimin mbrapsht.
- Pas përfundimit të procesit mund të dëgjoni tingullin “bip”.



Nëse kalon gjysma e kohës së shkrirjes, furra lëshon dy sinjale dhe kjo është normale. Për të pasur një efekt më të mirë në shkrirje, duhet t'i ktheni ushqimet në anën tjetër, të mbyllni derën dhe më pas të shtypni “Start/+30Sec./Confirm” për të vazhduar të gatuar. Nëse nuk përdoret, furra do të vazhdojë të punojë.

### 4.6 Shkrirja sipas kohës

- Shtypni një herë “Time Defrost” dhe në ekran do të shfaqet “dEF2”.
- Rrotulloni “Time / Weight / Auto” për të zgjedhur kohën e gatimit. Kohëzgjatja maksimale është 95 minuta.
- Shtypni përsëri “Start/+30 Sec./Confirm” për të filluar shkrirjen.
- Koha në ekran fillon numërimin mbrapsht.

## 4 Përdorimi

5. Pas përfundimit të procesit mund të dëgjoni tingullin "bip".



Nëse kalon gjysma e kohës së shkrirjes, furra lëshon dy sinjale dhe kjo është normale. Për të pasur një efekt më të mirë në shkrirje, duhet t'i ktheni ushqimet në anën tjetër, të mbyllni derën dhe më pas të shtypni "Start/+30Sec./Confirm" për të vazhduar të gatuarit. Nëse nuk përdoret, furra do të vazhdojë të punojë.

### 4.7 Gatim me shumë faza

Mund të caktohen maksimumi 2 faza. Nëse një fazë është shkrirje, ajo do të vendoset automatikisht si faza e parë. Sinjali do të dëgjohet një herë pas çdo fazë dhe do të fillojë faza tjetër.



Menyja automatike dhe gatimi me shpejtësi nuk mund të caktohen si një fazë në gatimin me shumë faza.

**Shembull:** Nëse dëshironi t'i shkruani ushqimet për 5 minuta dhe më pas të gatuarit me fuqinë e mikrovalës në 80% për 7 minuta.

#### Hapat janë si me poshtë:

1. Shtypni një herë "Time Defrost" dhe në ekran do të shfaqet "dEF2".
2. Rrotulloni "Time / Weight / Auto" për të rregulluar kohën e shkrirjes në 5 minuta;
3. Shtypni një herë "Microwave" dhe në ekran do të shfaqet "P100".
4. Shtypni "Microwave" në mënyrë të përsëritur për të zgjedhur fuqinë e mikrovalës deri sa të shfaqet "P80";
5. Shtypni "Start/+30Sec./Confirm" për ta konfirmuar.
6. Rrotulloni "Time / Weight / Auto" për të rregulluar kohën në 7 minuta;
7. Shtypni "Start/+30 Sec./Confirm" për të filluar të gatuarit.

8. Pas përfundimit të procesit mund të dëgjoni tingullin "bip".

### 4.8 Kohëmatësi i kuzhinës

1. Shtypni një herë "Kitchen Timer/Clock" dhe në ekran do të shfaqet "00:00".
2. Rrotulloni "Time / Weight / Auto" për të futur kohëmatësin e duhur. (Kohëzgjatja maksimale e gatimit është 95 minuta)
3. Shtypni "Start/+30Sec./Confirm" për ta konfirmuar.
4. Koha në ekran fillon numërimin mbrapsht.
5. Pas përfundimit të procesit mund të dëgjoni tingullin "bip".

### 4.9 Menyja automatike

1. Në gjendjen e pritjes, rrotullojeni "Time / Weight / Auto" në të djathtë për të zgjedhur menyën. Në ekran do të shfaqet "A 1".
2. Rrotullojeni "Time / Weight / Auto" për të zgjedhur menyën që dëshironi dhe do të shfaqet "A 1" deri në "A 8".
3. Shtypni "Start/+30Sec./Confirm" për të konfirmuar menyën.
4. Rrotulloni "Time / Weight / Auto" për të zgjedhur peshën e ushqimeve.
5. Shtypni përsëri "Start/+30 Sec./Confirm" për të filluar të gatuarit.
6. Koha në ekran fillon numërimin mbrapsht.
7. Pas përfundimit të procesit mund të dëgjoni tingullin "bip".

## 4 Përdorimi

Tabela e menysë:

Menyja	Pesha	Energjia
A 1 - Pica	200 g	100% (Mik.)
	400 g	
A 2 - Mish	250 g	100% (Mik.)
	350 g	
	450 g	
A 3 - Perime	200 g	100% (Mik.)
	300 g	
	400 g	
A 4 - Pasta	50 g (me 450 g ujë të ftohtë)	80% (Mik.)
	100g (me 800g ujë të ftohtë)	
A 5 - Patate	200 g	100% (Mik.)
	400 g	
	600 g	
A 6 - Peshk	250 g	80% (Mik.)
	350 g	
	450 g	
A 7 - Pije	1 filxhan (rreth 120 ml)	100% (Mik.)
	2 filxhanë (rreth 240 ml)	
	3 filxhanë (rreth 360 ml)	
A 8 - Kokoshka	50 g	100% (Mik.)
	100 g	

### 4.10 Gatimi me shpejtësi

1. Në gjendjen e pritjes, shtypni butonin "Start/+30Sec./Confirm" për të gatuar me nivelin e fuqisë 100% për 30 sekonda. Çdo shtypje në të njëjtin buton mund ta rritë me 30 sekonda. Kohëzgjatja maksimale e gatimit është 95 minuta.

2. Gjatë gatimit me mikrovalë, skarë dhe kombinim dhe gjatë shkrirjes me procesin kohor, shtypni "Start/+30Sec./Confirm" për të rritur kohën e gatimit.

3. Në gjendjet e menysë automatike dhe shkrirjes sipas peshës, koha e gatimit nuk mund të rritet duke shtypur "Start/+30Sec./Confirm".

4. Në gjendjen e pritjes, rrotullojeni "Time / Weight / Auto" në të majtë për të zgjedhur kohën e gatimit. Pas rregullimit të kohës së gatimit, shtypni "Start/+30Sec./Confirm" për të filluar gatimin me mikrovalë me nivelin e fuqisë 100%.

### 4.11 Funkzioni i bllokimit për fëmijët

**Kyçja:** Në gjendjen e pritjes, shtypni "STOP/Clear" për 3 sekonda për të kaluar në gjendjen e kyçit të fëmijëve dhe do të shfaqet koha aktuale nëse është caktuar koha, në rast të kundërt, në ekran do të shfaqet "🔒".

**Dalja nga gjendja e kyçjes:** Në gjendjen e kyçjes, shtypni "STOP/Clear" për 3 sekonda dhe kyçi do të hiqet.

### 4.12 Funkzioni i informacioneve

1. Në gjendjet e gatimit të mikrovalës ose skarës dhe të kombinimit. Shtypni "Microwave" ose "Grill/Combi.", fuqia aktuale do të shfaqet për 3 sekonda.

2. Nëse është caktuar koha, gjatë gjendjes së gatimit, shtypni "Kitchen Timer/Clock" për të kontrolluar kohën aktuale. Ajo do të shfaqet për 3 sekonda.

### 4.13 Specifikimi

1. Nëse dera hapet gjatë procesit të gatimit, mbylleni derën dhe më pas shtypni "Start/+30Sec./Confirm" për të vazhduar gatimin.

2. Pasi të jetë caktuar programi i gatimit, butoni "Start/+30Sec./Confirm" nuk shtypet për 1 minutë. Do të shfaqet koha aktuale. Përcaktimi do të anulohet.

3. Sinjali do të dëgjohet një herë nga shtypja efikase dhe shtypja joefikase nuk do të japë reagime.

## 5 Këshilla për gatimin

Faktorët e mëposhtëm mund të kenë ndikim në rezultatin e gatimit:

### **Rregullimi i ushqimeve**

Vendosini pjesët më të trasha në drejtim të pjesës së jashtme të pjatës dhe pjesët më të holla në drejtim të qendrës dhe hapini në mënyrë të njëtrajtshme. Mos i vendosni mbi njëra-tjetrën nëse është e mundur.

### **Kohëzgjatja e gatimit**

Filloni të gatuar me një përcaktim të shkurtër kohor, vlerësojeni pas përfundimit të kohës dhe zgjatani sipas nevojës aktuale. Gatimi i tepërt mund të shkaktojë djegie dhe tym.

### **Gatimi i ushqimeve në mënyrë të njëtrajtshme**

Ushqimet si pula, hamburgeri ose bifteku duhet të kthehen një herë gjatë gatimit.

Në varësi të llojit të ushqimit, nëse duhet, rrotullojeni nga jashtë drejt qendrës së pjatës një herë ose dy herë gjatë gatimit.

### **Lejoni një kohë për qëndrimin**

Pas përfundimit të kohës së gatimit, lëroni ushqimet në furrë për një kohë të përshtatshme, kjo lejon që ushqimet të përfundojnë ciklin e gatimit dhe të ftohen në mënyrë graduale

### **Nëse ushqimet janë gatuar**

Ngjyra dhe fortësia e ushqimeve ndihmojnë për të përcaktuar nëse ato janë bërë, duke përfshirë:

- Avujt dalin nga të gjitha pjesët e ushqimeve, jo vetëm nga anët
- Artikulacionet e mishit të pulës mund të lëvizin me lehtësi
- Mishi i dërrit ose pulës nuk tregon shenja gjaku
- Peshku ka ngjyrë të tejdukshme dhe mund të pritët me lehtësi me pirun

### **Pjata e pjekjes**

Kur përdorni një pjatë pjekjeje ose kontejner me vetëngrohje, vendosni gjithmonë një izolues rezistent ndaj nxehtësisë si p.sh. një pjatë porcelani nën të për të parandaluar dëmtimin e pllakës dhe unazës rrotulluese.

### **Mbështjellja plastike e sigurt për mikrovalë**

Kur gatuar ushqime me përmbajtje të lartë yndyre, mos lejoni që mbështjellësja plastike të bjerë në kontakt me ushqimet pasi mund të shkrijë.

### **Enët plastike të sigurta për mikrovalë**

Disa enë plastike të sigurta për mikrovalë mund të mos jenë të përshtatshme për gatimin e ushqimeve me përmbajtje të lartë yndyre dhe sheqeri. Po ashtu, nuk duhet të kalohet koha e ngrohjes paraprake e specifikuar në manualin e ushqimeve të gatimit.

## 6 Udhëzimet për pajisjet e gatimit

### 6.1 Materialet që mund të përdorni në furrën me mikrovalë ose që duhet të shmangen në furrën me mikrovalë



Rrezik për lëndime personale Është e rrezikshme për këdo përveç një personi kompetent të bëjë ndonjë veprim shërbimi ose riparimi që përfshin heqjen e kapakut, i cili mbron nga ekspozimi ndaj energjisë së mikrovalëve.

Shikoni udhëzimet të "Materialet që mund të përdorni në furrën me mikrovalë ose që duhet të shmangen në furrën me mikrovalë." Mund të ketë pajisje të caktuara jo metalike që nuk janë të sigurta për përdorim për gatimin në mikrovalë. Nëse keni dyshime, mund t'i provoni pajisjen në fjalë duke ndjekur procedurën më poshtë.

#### Testi i pajisjeve:

1. Mbushni një enë të sigurt për mikrovalë me 1 filxhan ujë të ftohtë (250 ml) bashkë me pajisjen në fjalë.
2. Gatvani me fuqinë maksimale për 1 minutë.
3. Kapani me kujdes pajisjen. Nëse pajisja boshe është e ngrohtë, mos e përdorni për gatimin në mikrovalë.
4. Mos e kaloni kohën e gatimit prej 1 minutë.

Materialet që mund të përdorni në furrën me mikrovalë	
Pajisjet e gatimit	Shënime
Fleta e aluminit	Vetëm mbulimi. Pjesët e vogla të buta mund të përdoren për të mbuluar pjesët e holla të mishit ose të pulës për të parandaluar djegien e tyre. Mund të shfaqet një shkarkesë elektrike nëse fleta është shumë afër me muret e furrës. Fleta duhet të jetë të paktën 2,5 cm (1 inç) nga muret e furrës.
Pjata e pjekjes	Ndiqui udhëzimet e prodhuesit. Pjesa e poshtme e pjatës së pjekjes duhet të jetë të paktën 5 mm (3/16 inç) mbi pllakën rrotulluese. Përdorimi i pasaktë mund të shkaktojë dëmtimin e pllakës rrotulluese.
Pajisjet e kuzhinës	Vetëm pajisje të sigurta për mikrovalë. Ndiqui udhëzimet e prodhuesit. Mos përdorni pjata të krisura ose të ciflosura.
Kavanozat e qelqit	Hiqni gjithmonë kapakun. Përdorini vetëm për të ngrohur ushqimet. Shumica e kavanozave të qelqit nuk janë rezistentë ndaj nxehtësisë dhe mund të thyhen.
Enët e qelqit	Vetëm enë qelqi rezistente ndaj nxehtësisë. Sigurohuni që të mos kenë buzë metalike. Mos përdorni pjata të krisura ose të ciflosura.
Qeset e gatimit për furrën	Ndiqui udhëzimet e prodhuesit. Mos i mbyllni me lidhëse metalike. Bëni disa të çara për të lejuar largimin e avullit.
Pjatat dhe gotat e letrës	Përdorini vetëm për ngrohje/gatim afatshkurtër. Mos e lini furrën të pamonitoruar gjatë gatimit.
Pecetat e letrës	Përdorini për të mbuluar ushqimet për ringrohje dhe për thithjen e yndyrës. Përdorini nën monitorim vetëm për gatim afatshkurtër.
Letër për pjekje	Përdoreni si mbulesë për të parandaluar spërkatjen ose si mbështjellje për avujt.



## 6 Udhëzimet për pajisjet e gatimit

Plastika	Vetëm pajisje të sigurta për mikrovalë. Ndiqni udhëzimet e prodhuesit. Duhet të jetë etiketuar si "e sigurt për mikrovalë". Disa enë plastike zbuten kur nxehen ushqimet brenda në to. "Qeset për zierje" dhe qeset plastike të izoluara duhet të çahen, të shpohen ose të kenë vrima ajrimi siç udhëzohet në paketim.
Mbështjellja plastike	Vetëm pajisje të sigurta për mikrovalë. Përdoreni për të mbuluar ushqimet gjatë gatimit për të ruajtur butësinë e tyre. Mos lejoni që mbështjellja plastike të prekë ushqimet.
Termometrat	Vetëm të sigurt për mikrovalë (termometrat për mishin dhe ëmbëlsirat).
Letra e dyllit	Përdoreni si mbulesë për të parandaluar spërkatjet dhe për të ruajtur butësinë.
<b>Materialet që duhet të shmangni në furrën me mikrovalë</b>	
Tava e aluminit	Mund të shkaktojë shkarkesë elektrike. Vendoseni ushqimet në një pjatë të sigurt për mikrovalë.
Karton për ushqime me dorezë metalike	Mund të shkaktojë shkarkesë elektrike. Vendoseni ushqimet në një pjatë të sigurt për mikrovalë.
Enë metalike ose me buzë metalike	Metali pengon energjinë e mikrovalëve drejt ushqimeve. Buzët metalike mund të shkaktojnë shkarkesa elektrike.
Lidhëset metalike	Mund të shkaktojnë shkarkesë elektrike dhe zjarr në furrë.
Qeset e letrës	Mund të shkaktojnë zjarr në furrë.
Shkuma plastike	Shkuma plastike mund të shkrijë ose të ndotë lëngjet në brendësi kur ekspozohet ndaj temperaturës së lartë.
Dru	Druri thahet kur përdoret në furrën me mikrovalë dhe mund të kriset ose të çahet.

## 7 Pastrimi dhe kujdesi

### 7.1 Pastrimi



**PARALAJMËRIM:** Kurrë mos përdorni benzinë, hollues, agjentë pastrues gërryes, objekte metalike ose furça të forta për të pastruar pajisjen.



**PARALAJMËRIM:** Kurrë mos e zhytni pajisjen ose kabllin e saj elektrik në ujë a në ndonjë lëng tjetër.

1. Fikeni pajisjen dhe hiqeni nga priza.
2. Pritni derisa pajisja të ftohet plotësisht.
3. Mbajeni furrën të pastër nga brenda. Fshijeni me një leckë të njomë kur ushqimi i spërkatur ose lëngjet e derdhura janë ngjitur në faqet e furrës. Mund të përdoret një detergjent i butë nëse furra bëhet shumë pis. Shmangni përdorimin e spraveje dhe të agjentëve të tjetër të ashpër pastrues pasi mund të krijonë njolla, shenja dhe patejdukshmëri në sipërfaqen e derës.
4. Sipërfaqet e jashtme të furrës duhet të pastrohen me një pecetë të njomë. Mos lejoni të hyjë ujë nga vrimat e ajrosjes që të parandaloni dëmtimin e pjesëve funksionuese të furrës.
5. Pastrojini shpesh me një pecetë të njomë të dyja anët e derës dhe të xhamit, guarnicionet e derës dhe pjesët pranë guarnicioneve që të hiqni njollat e derdhjeve dhe të spërkatjeve. Mos përdorni agjentë pastrues gërryes.
6. Mos lejoni që paneli i kontrollit të laget. Pastrojini me një pecetë të butë të njomë. Lëreni hapur derën e furrës që të parandaloni ndonjë përdorim të papritur gjatë pastrimit të panelit të kontrollit.
7. Nëse krijohet avull brenda ose përreth derës së furrës, pastrojini me një pecetë të butë. Kjo mund të ndodhë kur furra me mikrovalë përdoret në kushte lagështie të theksuar. Kjo është normale.
8. Në disa raste, mund të duhet të hiqni pjatën prej xhami që ta pastroni. Lajeni pjatën me ujë të ngrohtë me sapun ose në pjatlarëse.

9. Unaza rrotulluese dhe tabani i furrës duhen pastruar rregullisht për të shmangur zhurmën e tepërt.
10. Do të mjaftonte të pastroni sipërfaqen e ulët të furrës me një detergjent të butë. Unaza rrotulluese mund të lahet me ujë të ngrohtë me sapun ose në pjatlarëse. Kur e hiqni unazën rrotulluese nga tabani i brendshëm i furrës për ta pastruar, sigurohuni që kur ta rivendosni ta vendosni në pozicionin e duhur.
11. Për të hequr erërat e këqija në furrën tuaj, vendosni një gotë ujë dhe lëngun e lëkurën e një limoni në një tas të thellë të përshtatshëm për t'u përdorur në mikrovalë dhe vëreni në punë furrën për 5 minuta në modalitetin mikrovalë. Pastrojini mirë dhe thajeni me një pecetë të butë.
12. Ju lutemi kontaktoni me servisin e autorizuar kur llamba e furrës duhet ndërruar.
13. Furra duhet pastruar rregullisht dhe çdo mbetje ushqimesh duhet hequr. Nëse furra nuk mbahet e pastër, kjo mund të shkaktojë defekte në sipërfaqe që do të ndikojnë negativisht në ciklin e jetës së pajisjes dhe mund të shkaktonin rreziqe.
14. Ju lutemi mos e hidhni këtë pajisje bashkë me mbeturinat familjare; furrat e vjetra duhen çuar te pikat e posaçme të grumbullimit të mbetjeve të përcaktuara nga bashkitë.
15. Kur furra me mikrovalë përdoret në funksionin e skarës, mund të krijohet një sasi e vogël tymi dhe ere dhe ato do të zhduken pas njëfarë kohe përdorimi.

### 7.2 Magazinimi

- Nëse nuk planifikoni ta përdorni pajisjen për një kohë të gjatë, magazinoheni atë me kujdes.
- Sigurohuni që pajisja të jetë hequr nga priza, të jetë ftohur dhe të jetë plotësisht e pastër.
- Magazinoheni pajisjen në një vend të freskët dhe të thatë.
- Mbajeni pajisjen larg fëmijëve.

## 7 Pastrimi dhe kujdesi

### 7.3 Manovrimi dhe transporti

- Gjatë manovrimit dhe transportit, mbajeni pajisjen në paketimin e saj origjinal.
- Paketimi i pajisjes e mbron atë nga dëmtimet fizike.
- Mos vendosni ngarkesa të rënda mbi pajisje ose mbi paketim. Pajisja mund të dëmtohet.

## 8 Zgjidhja e problemeve

Normale	
Furra me mikrovalë ndërhyt te sinjali i televizorit.	Kur furra me mikrovalë është në përdorim, mund të ndërhyjë te sinjali i radios dhe i televizorit. Është e ngjashme me ndikimin që shkaktojnë pajisjet e vogla elektrike, si mikseri, fshesa me korrent dhe ventilatori. Kjo është normale.
Drita e furrës është e zbehtë	Në gatimin me mikrovalë me fuqi të ulët, drita e furrës mund të zbehet. Kjo është normale.
Mblidhet avull te dera, nga vrimat del ajër i nxehtë	Gjatë gatimit, nga ushqimi mund të dalë avull. Shumica e avullit del nga vrimat. Por një pjesë mund të mblidhet në një vend të ftohtë siç është dera e furrës. Kjo është normale.
Furra nis aksidentalisht pa pasur ushqim në të.	Nuk lejohet të përdoret pajisja pa pasur ushqim brenda. Kjo është shumë e rrezikshme.

Problemi	Arsyeja e mundshme	Zgjidhja
Furra nuk nis dot.	1) Kablli nuk është lidhur me prizën siç duhet.	Hiqeni nga priza. Pastaj vëreni në prizë përsëri pas 10 sekondash.
	2) Është djegur siguresa ose është aktivizuar ndërprerësi i qarkut.	Zëvendësoni siguresën ose çaktivizoni ndërprerësin e qarkut (riparimi duhet bërë nga personeli profesional i kompanisë sonë).
	3) Probleme me prizën.	Testojeni prizën duke lidhur pajisje të tjera elektrike.
Furra nuk ngroh.	4) Dera nuk është mbyllur siç duhet.	Mbylleni derën siç duhet.


# Ве молиме најнапред прочитајте го ова упатство!


Почитуван кориснику,


Ви благодариме што купивте производ од марката Веко. Се надеваме дека добро ќе Ви користи овој апарат, кој е произведен со висок квалитет и според најнова технологија. Затоа Ве молиме внимателно прочитајте го целото упатство за употреба и другата приложена документација пред да го користите апаратот и чувајте ги во случај да Ви затребаат. Ако му го дадете апаратот на некој друг, дајте му го и упатството за употреба. Следете ги сите предупредувања и информации што се дадени во упатството за употреба.


## Значење на симболите


Во различни делови од ова упатство за употреба се користат следниве симболи:

	Важни информации и корисни совети во врска со користењето на апаратот.
--	--

	Предупредувања во врска со опасни ситуации поврзани со безбедноста на човечкиот живот и на материјалниот имот.
--	--

	Предупредување за жешки површини.
---	-----------------------------------

	Предупредување за струен удар.
--	--------------------------------

	Предупредување за опасност од пожар.
--	--------------------------------------



Овој апарат е произведен во еколошки безбедни и современи фабрики без да ѝ се нанесе штета на природата.

Овој апарат е во согласност со WEEE

Не содржи PCB.

# 1 Важни упатства за безбедноста и заштитата на околината

**Важни упатства за безбедноста**  
**Прочитајте внимателно и чувајте во случај да Ви затреба**

## **1.1 Предупредувања за безбедно користење**

Овој дел содржи упатства за безбедноста што ќе помогнат да не дојде до пожар, електричен удар, изложеност на пропуштена микробранова енергија, физички повреди или оштетување на материјалниот имот. Ако не се следат овие упатства гаранцијата ќе изгуби важност.

- Производите на Веко се во согласност со важечките стандарди за безбедност; затоа, во случај на оштетување на апаратот или на електричниот кабел, треба да ги поправи или замени продажниот салон, сервисниот центар или некое стручно лице или овластен сервис за да не се предизвика некаква штета. Поради погрешни или нестручни поправки може да биде доведен во опасност корисникот на уредот.
- Овој уред е наменет за употреба во домаќинството или на места како што се:
  - Чајни кујни за работните во продавници, канцеларии и други работни простории;
  - Фарми;

# 1 Важни упатства за безбедноста и заштитата на околината

- За посетителите во хотелите и во други објекти за сместување;
- Пансиони и разни ноќевалишта.
- Не е наменет за индустриска или лабораториска употреба.
- Не се обидувајте да ја вклучите печката додека вратата е отворена; во спротивно може да бидете изложени на штетна микробранова енергија. Функциите за заклучување поради безбедност не треба да се попречуваат или да се расипуваат.
- Микробрановата печка е наменета за загревање на храна и пијалаци. Сушењето на храна или облека и загревањето на електрични перничиња, папучи, сунѓери, мокри крпи и слично може да доведе до опасност од повреди, запалување или пожар.
- Не ставајте никакви предмети меѓу предната страна и вратата на микроречката. Не дозволувајте никаква нечистотија или остатоци од средства за чистење да се насоберат на површините за затворање.
- Секое сервисирање што вклучува отстранување на капакот што обезбедува заштита од изложеност на микробранова енергија мора да ја извршува овластено лице/сервис. Опасно е некој друг да го прави тоа.
- Овој апарат е наменет за готвење, загревање и одмрзнување на храна дома. Не смее да се користи за комерцијални цели.
- Микроречката не е наменета за сушење на некое живо суштество.

# 1 Важни упатства за безбедноста и заштитата на околината

- Не ја користете микроречката за сушење на алишта или кујнски крпи.
- Не ја користете микроречката надвор, во купатила, влажни средини или на места каде што може да се намокри.
- Не сносиме никаква одговорност и гаранцијата нема да важи ако настанат оштетувања поради погрешна употреба или неисправно ракување со апаратот.
- Не се обидувајте да го расклопите апаратот. Гаранцијата нема да важи ако апаратот се оштети поради неисправно ракување.
- Користете ги само оригиналните делови или деловите што ги препорачува производителот.
- Не го оставајте апаратот без надзор додека работи.
- Секогаш користете го апаратот на стабилна, рамна, чиста, сува и нелизгава површина.
- Со апаратот не треба да се управува со надворешен тајмер или со одвоен систем за далечинско управување.
- Пред да го користите апаратот за првпат, исчистете ги сите делови. Видете ги упатствата дадени во делот “Чистење и одржување”.
- Ракувајте со уредот само во склад со неговата намена, како што е опишано во ова упатство.
- Апаратот многу се загрева додека се користи. Внимавајте да не ги допирате жешките делови во микроречката.

# 1 Важни упатства за безбедноста и заштитата на околината

- Не работете со микроречката додека е празна.
- Приборот за готвење може да се загрее поради топлината што се пренесува од загреаната храна до приборот. Можеби ќе ви требаат ракавици за рерна за да го фаќате приборот.
- Треба да се провери дали приборот е погоден за употреба во микробранова печка.
- Не го ставајте апаратот на печка или на други уреди што создаваат топлина. Во спротивно може да се оштети и гаранцијата нема да важи.
- Може да излезе пареа кога ќе се тргне капакот или фолијата по готвењето на храната.
- Апаратот и неговите пристапни површини може да бидат многу жешки додека се користи апаратот.
- Вратата и надворешното стакло може да бидат многу жешки додека се користи апаратот.
- Проверете дали напојувањето од струјната мрежа е во склад со податоците што се наведени на металната етикета на апаратот.
- Единствен начин да се исклучи апаратот од струјната мрежа е да се извади приклучокот од штекерот.
- Користете го апаратот само со заземјен штекер.
- Не го користете апаратот ако електричниот кабел или самиот апарат се оштетени.
- Апаратот не смее да се користи со продолжен кабел.
- Никогаш не го допирајте апаратот или неговиот приклучок со влажни или мокри раце.



# 1 Важни упатства за безбедноста и заштитата на околината

- При поставувањето на уредот водете сметка штекерот секогаш да биде пристапен.
- За да не се оштети електричниот кабел не треба се гмечи, витка или трие од остри рабови. Кабелот треба да биде што подалеку од жешки површини и од отворен пламен.
- Внимавајте некој случајно да не го извлече или стапне електричниот кабел додека работи апаратот.
- Извадете го приклучокот од штекерот пред секое чистење на апаратот и додека не го користите.
- Не го влечете електричниот кабел на апаратот за да го исклучите од електричната мрежа и не го мотајте околу апаратот.
- Не го потопувајте апаратот, електричниот кабел или приклучокот во вода или во некоја друга течност. Не го ставајте под млаз вода.
- Кога загревате храна во пластични или хартиени садови, држете ја на око микрорпечката поради тоа што постои можност да се запали.
- Извадете ги металните жички и/или дршки на хартиените или пластичните ќеси пред да ги ставите во микрорпечката.
- Ако забележите чад, исклучете го апаратот или, ако е безбедно, извадете го приклучокот од штекерот и оставете ја вратата затворена за да се задушат евентуалните пламења.

# 1 Важни упатства за безбедноста и заштитата на околината

- Не ја користете микробрановата печка за да чувате нешто во неа. Не оставајте хартиени предмети, материјали за готвење или храна во микроречката додека не се користи.
- Содржината на шишенцата и тегличките со бебешка храна треба да се измеша или протресе и да им се провери температурата пред конзумирањето за да не дојде до изгореници.
- Овој апарат спаѓа во опрема од Група 2 Класа B ISM. Група 2 ја содржи сета ISM (индустриска, научна и медицинска) опрема во која радиофреквенцијата намерно се создава и/или се користи во облик на електромагнетно зрачење за обработка на материјали и за опрема за ерозија на искра.
- Опремата од Класа B е погодна за употреба во домаќинства и установи кои се директно поврзани со доводна електрична мрежа со низок напон.
- Не користете масло за готвење во микроречката. Врелото масло може да ги оштети елементите и материјалите на печката, а може да предизвика и изгореници на кожата.
- Избоцкајте ја храната што има тенка лушпа, како што се компирите, тиквичките, јаболката и костените.
- Наместете го апаратот во таква положба што неговата задна страна ќе биде свртена кон ѕидот.
- Пред да го поместувате апаратот, прицврстете ја вртливата плоча за да не се оштети.

# 1 Важни упатства за безбедноста и заштитата на околината

- Јајца со лушпа и цели тврдо варени јајца не смеат да се загреваат во микробранови печки бидејќи може да експлодираат, дури и откако микробрановото загревање престанало.
- ПРЕДУПРЕДУВАЊЕ:** Ако вратата или дихтунзите на вратата се оштетени, микропечката не смее да се користи сè додека не ја поправи стручно лице.
- ПРЕДУПРЕДУВАЊЕ:** Опасно е некој друг освен стручно лице да извршува некакво сервисирање или поправка што вклучува отстранување на капак што обезбедува заштита од изложеност на микробранова енергија.
- ПРЕДУПРЕДУВАЊЕ:** Течности и друга храна не смеат да се загреваат во запечатени садови бидејќи може да експлодираат.
- Микропечката треба редовно да се чисти и сите остатоци од храна треба да се отстрануваат.
- Треба да има најмалку 20 cm слободен простор над горната површина на микропечката.
- Не ја гответе храната премногу долго време бидејќи може да се потпали.
- Не го чистете апаратот со хемикалии и со средства за чистење со помош на пара.
- Потребно е многу да внимавате кога го користите апаратот во близина на деца и лица што имаат намалени физички, сетилни или умствени способности.

# 1 Важни упатства за безбедноста и заштитата на околината

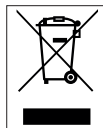
- Овој уред може да го користат деца над 8 години, како и лица со намалени физички, сетилни или умствени способности или не се доволно искусни и упатени, но само ако се под нечиј надзор или ако се запознаени со упатствата во врска со безбедното користење на производот и со опасностите што се вклучени притоа. Децата не смеат да си играат со апаратот. Чистењето и одржувањето не треба да го извршуваат деца освен ако не се под надзор на некој возрасен.
- **Опасност од задушување!** Сите материјали од амбалажата треба да бидат подалеку од деца.
- Поради преголемата топлина што настанува кога микроречката работи на режимот за скара и на комбинираниот режим, децата смеат да ги користат овие режими само под надзор на возрасно лице.
- Апаратот и неговиот електричен кабел не смеат да бидат пристапни за деца под 8 години.
- Не гответе храна директно на стаклената чинија. Наместете ја храната во соодветен кујнски сад пред да ја ставите во микроречката.
- Не е дозволено во микробрановата печка да се ставаат метални садови за храна и пијалаци. Во спротивно може да се појават искри.

# 1 Важни упатства за безбедноста и заштитата на околината

- Микробрановата печка не смее да се намести во плакар што не е во склад со упатствата за инсталирање.
- Микробрановата печка е наменета да се користи само како вграден елемент.
- Кај вградените апарати што се користат на ниво еднакво или повисоко од 900 mm од подот треба да се внимава да не се измести вртливата плоча кога се вадат садовите од апаратот.
- Ако вградениот апарат е во плакар со врата, производот мора да користи со отворена врата на плакарот.

## 1.2. Согласност со Директивата за отпадна електрична и електронска опрема (WEEE) и фрлање на отпадниот производ:

Овој производ е во согласност со Директивата на ЕУ за отпадна електрична и електронска опрема (2012/19/EU). Овој производ има симбол за класификација за отпадна електрична и електронска опрема.



Овој симбол покажува дека производот не смее да се фрла заедно со друг отпад од домаќинството на крајот од неговиот век на траење.

Користениот уред мора да се врати во одреден собирен пункт за рециклирање на електрични и електронски уреди. Прашајте каде има такви собирни пунктови кај локалните надлежни органи или во продавницата од која сте го купиле производот. Секое домаќинство игра важна улога во рециклирањето на стариот апарат. Соодветното фрлање на користениот апарат помага да се спречат потенцијалните негативни последици по околината и по човечкото здравје.

## 1.3 Согласност со Директивата за рестрикција на опасни супстанции (RoHS)

Производот што го купивте е во согласност со Директивата на ЕУ за рестрикција на опасни супстанции (2011/65/EU). Не содржи штетни или забранети материјали наведени во Директивата.

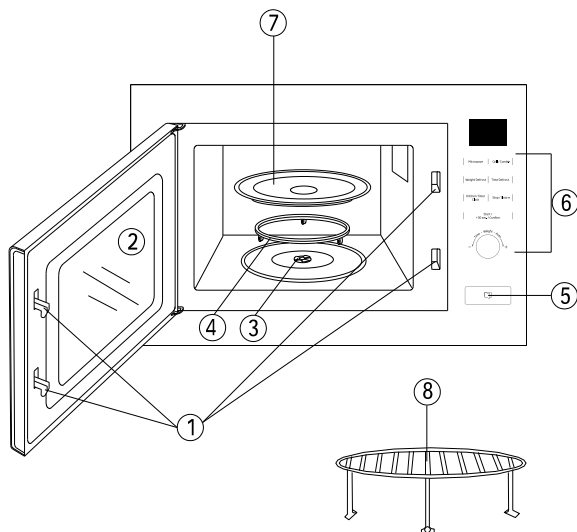
## 1.4 Информации за амбалажата



Материјалите од амбалажата на овој производ се произведени од материјали што може да се рециклираат во склад со државните прописи за заштита на околината. Не ги фрлајте материјалите од амбалажата заедно со отпадот од домаќинството или со друг отпад. Однесете ги во пунктот за собирање материјали од амбалажа одреден од локалните надлежни органи.

## 2 Вашата микробранова печка

### 2.1 Општ преглед



1. Безбедносен систем за блокирање на вратата
2. Прозорче на микроречката
3. Спојница
4. Подлога на вртливата плоча
5. Копче за отворање на вратата
6. Контролна табла
  - Microwave
  - Grill / Combi.
  - Weight Defrost
  - Time Defrost
  - Kitchen Timer Clock
  - Stop / Clear
  - Start/+30Sec./Confirm
  - Time / Weight / Auto
7. Стаклена чинија
8. Решетка за скара (Не може да се користи на микробранов режим и мора да се стави врз стаклената чинија)

### 2.2. Технички податоци

<b>Потрошувачка на енергија</b>	230 V~50 Hz, 1270 W (микробранови) 1000 W (скара)
<b>Излез</b>	800 W
<b>Работна фреквенција</b>	2450 MHz
<b>Надворешни димензии (ВxШxД) mm</b>	387x594x333
<b>Капацитет на микроречката</b>	20 литри
<b>Нето тежина</b>	16,5 kg
<b>Боја</b>	Црна

Го задржуваме правото на технички промени и промени во дизајнот.

Ознаките на апаратот или вредностите наведени во другата документација доставена заедно со производот се вредности добиени во лабораториски услови во склад со важечките стандарди. Овие вредности може да се разликуваат во зависност од начинот на користење на апаратот и од условите во околината во која се користи. Вредностите за моќноста се тестирани на 230 V.

## 3 Инсталирање и поврзување

### 3.1 Упатства за инсталирање

- Следете ги посебните упатства за инсталирање.
- Апаратот може да се инсталира во висечки елемент широк 60cm.
- Апаратот има приклучок и мора да се поврзе само на исправно инсталиран заземјен штекер.
- Напонот на електричната мрежа мора да одговара на напонот наведен на плочката со податоци за производот.
- Приклучокот смее да го инсталира и кабелот смее да го замени само електричар. Ако штекерот не е пристапен по инсталирањето, на страната на инсталирањето мора да има повеќеполов изолационен прекинувач со контактното растојание од најмалку 3mm.



#### **ПРЕДУПРЕДУВАЊЕ:**

Не смеат да се користат адаптери, штекери со повеќе приклучоци и продолжителни кабли. Ако премногу ја наполните микроречката може да дојде до пожар.

### 3.2 Поврзување на електричната мрежа

- Апаратот има приклучок и мора да се поврзе само на исправно инсталиран заземјен штекер.
- Само електричар што ги применува соодветните прописи смее да го инсталира приклучокот или да го замени кабелот за поврзување.

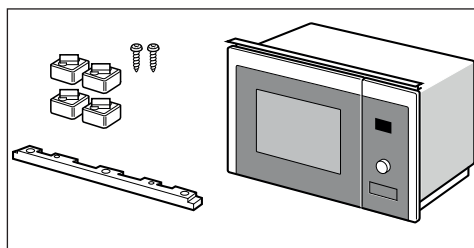
- Ако штекерот не е пристапен по инсталирањето, на страната на инсталирањето мора да има повеќеполов изолационен прекинувач со контактното растојание од најмалку 3mm.
- При инсталирањето мора да се обезбеди заштита од контакт.

### 3.3 Апарат во висечки елемент

Елементот во кој ќе се инсталира апаратот не треба да има преграда зад апаратот.

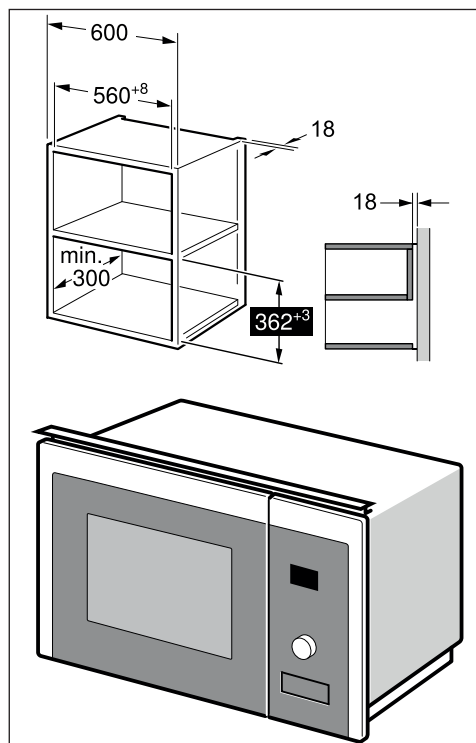
Минималната височина за инсталирање е: 850mm. Отворите за вентилација и проток на воздух не смеат да се затвораат.

Делови:

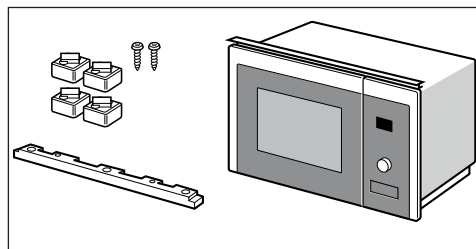


## 3 Инсталирање и поврзување

### Апарат во висечки елемент



### Делови:



### 3.4. Апарат во висок елемент

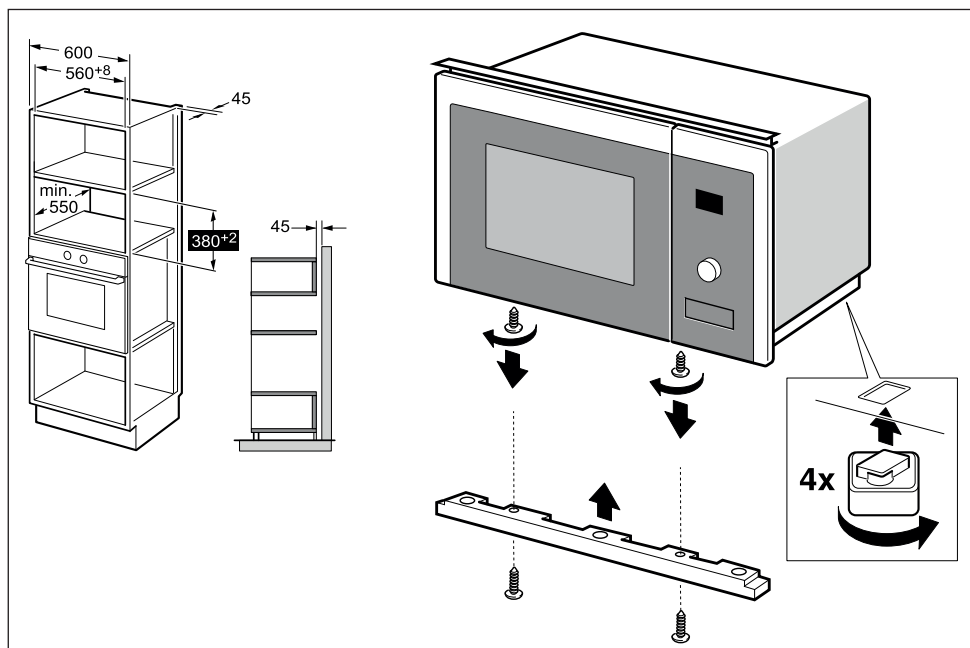
Елементот во кој ќе се инсталира апаратот не треба да има преграда зад апаратот.

Минималната височина за инсталирање е: 850mm. Отворите за вентилација и проток на воздух не смеат да се затвораат.



### 3 Инсталирање и поврзување

#### Апарат во висок елемент

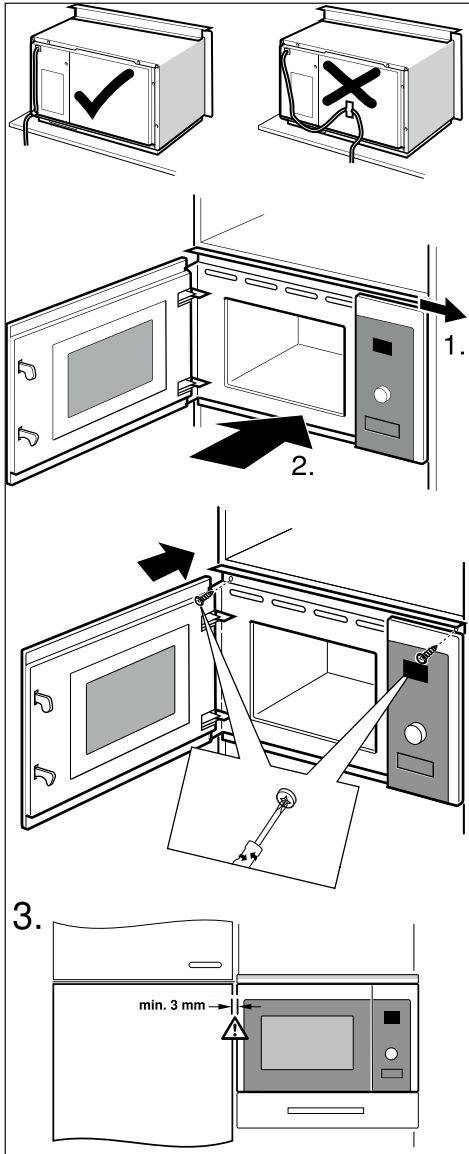


## 3 Инсталирање и поврзување

### 3.5 Инсталирање на микропечката



**ПРЕДУПРЕДУВАЊЕ:** Не го потфаќајте и не го превиткувајте електричниот кабел.



### 3.6 Инсталирање на вртливата плоча

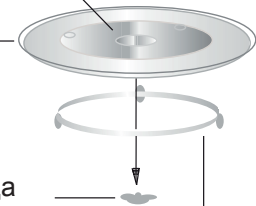
- Никогаш не ја ставајте сталкената чинија свртена наопаку. Стаклената чинија никогаш не треба да се вади додека работи апаратот.
- И стаклената чинија и вртливата плоча мора да се користат секогаш кога се готви.
- Храната и садовите со храна секогаш мора да се ставаат врз стаклената чинија.
- Ако стаклената чинија или вртливата плоча пукнат или се скршат, јавете се во најблискиот овластен сервисен центар.

Плотна (одоздола)

Стаклена чинија

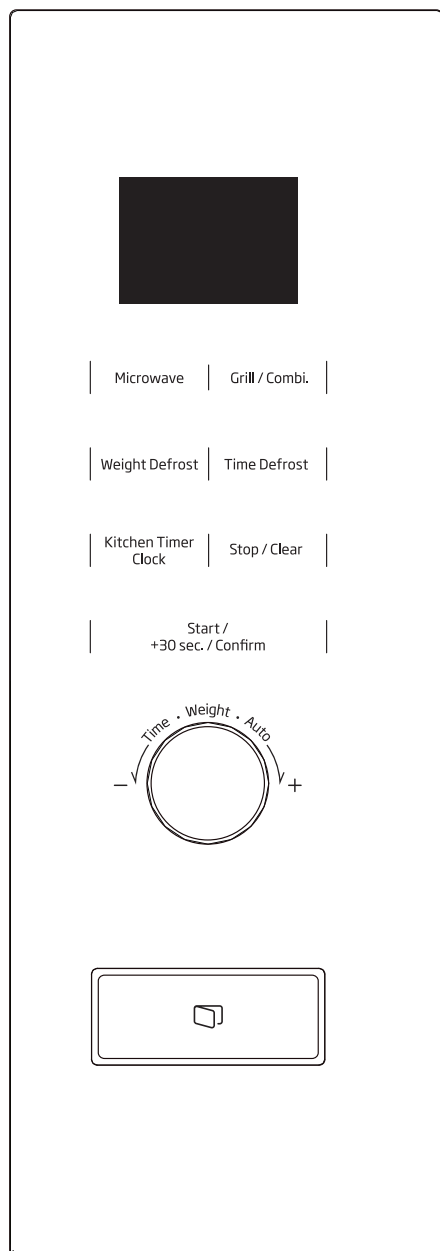
Спојница

Подлога на вртливата плоча



## 4 Работење со микроречката

### 4.1 Контролна табла



### 4.2 Местење на часовникот

Кога микробрановата печка ќе биде вклучена во електрична мрежа, дисплејот ќе покажува “0:00”, своното ќе зазвони еднаш. Микроречката ќе влезе во режим за чекање.

1. Притиснете два пати “Kitchen Timer/ Clock” и броевите за часови ќе почнат да трепкаат.
2. Вртете го копчето “Time / Weight / Auto” за да го наместите часот; внесената вредност треба да биде меѓу 0 и 23.
3. Притиснете “Kitchen Timer/Clock” и броевите за минути ќе почнат да трепкаат.
4. Вртете го копчето “Time / Weight / Auto” за да ги наместите минутите; внесената вредност треба да биде меѓу 0 и 59.
5. Притиснете “Kitchen Timer/Clock” за да завршите со поставките за времето. Симболот “.” ќе трепка и времето ќе свети.



Ако часовникот не е наместен, нема да работи кога ќе се вклучи апаратот.

### 4.3 Готвење со микробранови

1. Притиснете еднаш “Microwave” и на дисплејот ќе се појави “P100”.
2. Повторно притиснете “Microwave” или свртете го копчето “Time / Weight / Auto” за да ја изберете саканата моќност. При секое притискање, на дисплејот ќе се покаже “P100”, “P80”, “P50”, “P30” или “P10” соодветно.
3. Притиснете “Start/+30 Sec./Confirm” за да ја потврдите саканата моќност.

## 4 Работење со микроречката

4. Вртете го копчето “Time / Weight / Auto” за да го наместите времето за готвење меѓу 0:05 и 95:00.
  5. Повторно притиснете “Start/+30 Sec./Confirm” за да почнете да готвите.
  6. Времето на дисплејот ќе почне да одбројува.
  7. Кога ќе заврши готвењето ќе се чуе звучен сигнал.
- Чекорите за мesteње на времето на копчето за кодирање се следниве:

Поставки за времетраење	Зголемување
0-1 минута	5 секунди
1-5 минути	10 секунди
5-10 минути	30 секунди
10-30 минути	1 минута
30-95 минути	5 минути

### Табела на микробрановата моќност

Микробранова моќност	Висока	Средно висока	Средна	Средна Ниска	Ниска
Дисплеј	P100	P80	P50	P30	P10

### 4.4 Готвење на скара или комбинирано

1. Притиснете еднаш “Grill/Combi.” и на дисплејот ќе се покаже “G”.
2. Притискајте повеќе пати или вртете го копчето “Time / Weight / Auto” за да ја изберете саканата моќност, и на дисплејот ќе се покажува “G”, “C-1” или “C-2”.
3. Притиснете “Start/+30Sec./Confirm” за да ја потврдите моќноста.
4. Вртете го копчето “Time / Weight / Auto” за да го наместите времето за готвење. (Максималното време за готвење е 95 минути)
5. Повторно притиснете “Start/+30Sec./Confirm” за да почнете да готвите.
6. Времето на дисплејот ќе почне да одбројува.
7. Кога ќе заврши готвењето ќе се чуе звучен сигнал.

### Упатства за комбинирана моќност

Програма	Дисплеј	Микробранова моќност	Моќност на скарата
Скара	G	0%	100%
Комб.1	C-1	55%	45%
Комб.2	C-2	36%	64%

## 4 Работење со микрорпечката



Ако помине половина од времето за скара, печката ќе засвони двапати и тоа е нормално. За поефикасно готвење на скара треба да ја превртите храната, да ја затворите вратата и да притиснете “Start/+30Sec./Confirm” за да продолжите со готвењето. Ако не извршите никаква операција, печката ќе продолжи да работи.

### 4.5 Одмрзнување според тежина

- 1.Притиснете еднаш “Weight Defrost” и на дисплејот ќе се покаже “dEF1”.
- 2.Вртете го копчето “Time / Weight / Auto” за да ја изберете тежината на храната. Тежината треба да биде од 100g до 2000g.
- 3.Притиснете “Start/+30Sec./Confirm” за да почне одмрзнувањето.
- 4.Времето на дисплејот ќе почне да одбројува.
- 5.Кога ќе заврши готвењето ќе се чуе звучен сигнал.



Ако помине половина од времето за одмрзнување, печката ќе засвони двапати и тоа е нормално. За поефикасно одмрзнување треба да ја превртите храната, да ја затворите вратата и да притиснете “Start/+30Sec./Confirm” за да продолжите со готвењето. Ако не извршите никаква операција, печката ќе продолжи да работи.

### 4.6 Одмрзнување според време

- 1.Притиснете еднаш “Time Defrost” и на дисплејот ќе се покаже “dEF2”.
- 2.Вртете го копчето “Time / Weight / Auto” за да го изберете времето за готвење. Максималното време е 95 минути.
- 3.Притиснете “Start/+30Sec./Confirm” за да почне одмрзнувањето.
- 4.Времето на дисплејот ќе почне да одбројува.
- 5.Кога ќе заврши готвењето ќе се чуе звучен сигнал.



Ако помине половина од времето за одмрзнување, печката ќе засвони двапати и тоа е нормално. За поефикасно одмрзнување треба да ја превртите храната, да ја затворите вратата и да притиснете “Start/+30Sec./Confirm” за да продолжите со готвењето. Ако не извршите никаква операција, печката ќе продолжи да работи.

### 4.7 Готвење со повеќе фази

Може да се програмираат најмногу 2 фази. Ако една од фазите е одмрзнување, тоа би требало автоматски да биде ставено како прва фаза. Своето ќе засвони еднаш по секоја фаза и потоа ќе почне следната фаза.



Автоматско мени и брзо готвење не можат да бидат поставени како една од фазите.

## 4 Работење со микроречката

**Пример:** Ако сакате да ја одмрзнувате храната 5 минути, а потоа да готвите со 80% микробранова моќност 7 минути.

**Следете ги следниве чекори:**

- 1.Притиснете еднаш “Time Defrost” и на дисплејот ќе се покаже “dEF2”.
- 2.Вртете го копчето “Time / Weight / Auto” за да го наместите времето на одмрзнување на 5 минути;
- 3.Притиснете еднаш “Microwave” и на дисплејот ќе се покаже “P100”.
- 4.Притискајте “Microwave” за да изберете микробранова моќност сè додека не се покаже “P80”;
- 5.Притиснете “Start/+30Sec./Confirm” за да потврдите.
- 6.Вртете го копчето “Time / Weight / Auto” за да го наместите времето за готвење на 7 минути;
- 7.Притиснете “Start/+30Sec./Confirm” за да почнете да готвите.
- 8.Кога ќе заврши готвењето ќе се чуе звучен сигнал.

### 4.8 Тајмер

- 1.Притиснете еднаш “Kitchen Timer/ Clock” и на дисплејот ќе се покаже “00:00”.
- 2.Вртете го копчето “Time / Weight / Auto” за да го внесете исправното време на тајмерот. (Максималното време за готвење е 95 минути)
- 3.Притиснете “Start/+30Sec./Confirm” за да потврдите.
- 4.Времето на дисплејот ќе почне да одбројува.
- 5.Кога ќе заврши готвењето ќе се чуе звучен сигнал.

### 4.9 Автоматско мени

- 1.Во режим за чекање, вртете го надесно копчето “Time / Weight / Auto” за да го изберете менито. На дисплејот ќе се покаже “A 1”.
- 2.Вртете го копчето “Time / Weight / Auto” за да го изберете менито што го сакате, ќе се пјавуваат ознаките “A 1” до “A 8”.
- 3.Притиснете “Start/+30Sec./Confirm” за да го потврдите менито.
- 4.Вртете го копчето “Time / Weight / Auto” за да ја изберете тежината на храната.
- 5.Повторно притиснете “Start/+30Sec./Confirm” за да почнете да готвите.
- 6.Времето на дисплејот ќе почне да одбројува.
- 7.Кога ќе заврши готвењето ќе се чуе звучен сигнал.

**Табела за менито:**

Мени	Тежина	Моќност
A 1 - Пица	200 g	100% (микро)
	400 g	
A 2 - Месо	250 g	100% (микро)
	350 g	
	450 g	
A 3 - Зеленчук	200 g	100% (микро)
	300 g	
	400 g	
A 4 - Тестенини	50g (со 450g ладна вода)	80% (микро)
	100g (со 800g ладна вода)	
A 5 - Компир	200 g	100% (микро)
	400 g	
	600 g	

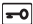
## 4 Работење со микроречката

А 6 - Риба	250 g	80% (микро)
	350 g	
	450 g	
А 7 - Пијалаци	1 филцан (околу 120ml)	100% (микро)
	2 филцана (околу 240ml)	
	3 филцана (околу 360ml)	
А 8 - Пуќанки	50 g	100% (микро)
	100 g	

### 4.10 Брзо готвење

- Во режим за чеќање, притиснете “Start/+30Sec./Confirm” за да готвите со 100% моќност 30 секунди. Со секое притискање на истото копче времето се зголемува за 30 секунди. Максималното време за готвење е 95 минути.
- За време на режим за микробранови, скара, комбинирано готвење и одмрзување според време, притискајте “Start/+30Sec./Confirm” за да го зголемите времето за готвење.
- Во режим за автоматско мени и одмрзување според тежина, времето за готвење не може да се зголеми со притискање на “Start/+30Sec./Confirm”.
- Во режим за чеќање, вртете го налево копчето “Time / Weight / Auto” за да го изберете времето за готвење. Откако ќе го наместите времето за готвење, притиснете “Start/+30Sec./Confirm” за да почне готвење со микробранови со 100% моќност.

### 4.11 Заклучување за деца

**Заклучување:** Во режим за чеќање притискајте “STOP/Clear” 3 секунди за да го внесете режимот за заклучување за деца и моменталното време ќе се покаже ако бил наместен часовникот, во спротивно на екранот ќе се покаже “”.

**Прекинување на заклучувањето:** Во режим за заклучено, притискајте “STOP/Clear” 3 секунди и заклучувањето ќе биде поништено.

### 4.12 Функција за проверка

- Во режими за готвење со микробранови, скара или комбинирано. Притиснете “Microwave” или “Grill/Combi.”, моменталната моќност ќе биде покажана на дисплејот 3 секунди.
- Ако часовникот бил наместен, за време на режимот за готвење притиснете “Kitchen Timer/Clock” за да го проверите моменталното време. Тоа ќе биде покажано на дисплејот 3 секунди.

### 4.13 Спецификација

- Ако ја отворите вратата додека готвите, затворете ја и потоа притиснете “Start/+30Sec./Confirm” за да продолжите со готвењето.
- Штом ја поставите програмата за готвење, не треба да притискате “Start/+30Sec./Confirm” 1 минута. Ќе се појави моменталното време. Поставката ќе биде поништена.
- Своното ќе засвони еднаш ако притиснете добро, но ако не притиснете добро нема да се чуе никаков сигнал.

## 5 Совети за готвење

Врз резултатите од готвењето може да влијаат следниве фактори:

### Распоредување на храната

Подебелите парчиња наредете ги на надворешниот дел на чинијата, а потенките парчиња во средината и распоредете ги рамномерно. Ако е можно не ставајте парчиња храна едно врз друго.

### Времетраење на готвењето

Почнете да готвите со поставка за кратко време, проценете дали јадењето е готово откако ќе истече времето и ако е потребно продолжете го времетраењето. Ако предолго ја готвите храната, може да се зачуди и да загори.

### Рамномерно готвење на храната

Храна како што е пилешко, хамбургер или стек треба да се преврти еднаш додека се готви.

Во зависност од видот на храната, ако е потребно промешајте ја од работ кон средината на чинијата еднаш или двапати за време на готвењето

### Оставете време храната да постои

Откако ќе истече времето за готвење, оставете ја храната во печката уште некое време бидејќи така ќе се заврши процесот на готвење и храната постепено ќе се олади

### Дали јадењето е готово

Врз основа на бојата и цврстината на храната може да одредите дали е готова, а тоа вклучува:

- Излегува пареа од сите делови на храната, а не само од краевите
- Пилешкото месо може лесно да се одвојува од коската

- Свинското или пилешкото месо немаат траги од крв
- Рибата е потемнета и лесно може да се расече со вилушка

### Тава за микробранова печка

Кога користите тава за микробранова печка или сад што го одржува јадењето топло, секогаш под него ставајте изолатор отпорен на температура, како што е порцеланска чинија, за да не се оштети вртливата плоча и спојницата.

### Просирна фолија за микроречка

Кога готвите многу масна храна, внимавајте просирната фолија да не ја допира храната бидејќи може да се стопи

### Пластични садови за микробранова употреба

Некои пластични садови за микробранова употреба може да не бидат погодни за готвење храна што содржи многу маснотии и шеќер. Исто така, не смее да се пречекори времето на предзагревање што е наведено во упатството за користење на садот.



## 6 Упатства за приборот

### 6.1 Материјали што може да се користат во микробранова печка или што не треба да се користат во микробранова печка



Опасност од физички повреди Опасно е некој друг освен стручно лице да извршува некакво сервисирање или поправка што вклучува отстранување на капак кој обезбедува заштита од изложеност на микробранова енергија.

Видете ги упатствата во делот „Материјали што може да се користат во микробранова печка или што не треба да се користат во микробранова печка“. Некои неметални делови од кујнскиот прибор не се безбедни за употреба во микробранова печка. Ако не сте сигурни, може да го тестирате приборот следејќи ги долунаведените чекори.

#### Тестирање на приборот:

1. Наполнете еден сад за микробранова употреба со 1 чаша ладна вода (250ml) заедно со приборот што сакате да го тестирате.
2. Гответе на максимална моќност 1 минута.
3. Внимателно допрете го приборот. Ако е топол, не го користете за готвење во микробранова печка.
4. Не го пречекорувајте времето на готвење од 1 минута.

Материјали што може да се користат во микробранова печка	
Прибор	Забелешки
Алуминиумска фолија	Само за покривање. Со мали површини може да се покријат тенки парчиња месо или пилешко за да не се препечат. Може да се појават искри ако фолијата е премногу близу до сидовите на печката. Фолијата треба да биде на растојание од најмалку 2,5cm од сидовите на печката.
Тава за микробранова печка	Следете ги упатствата на производителот. Дното на тавата за микробранова опечка мора да биде најмалку 5mm над вртливата плоча. При неисправна употреба вртливата плоча може да се скрши.
Сервис за ручавање	Само безбедна за микроречка. Следете ги упатствата на производителот. Немојте да користите напукнати или поткршени чинии.
Стаклени тегли	Секогаш вадете го капачето. Користете ги само за да ја загреете храната. Повеќето стаклени тегли не се отпорни на високи температури и може да се скршат.
Стаклени садови	Само стаклени садови отпорни на високи температури. Не треба да имаат метални рабови. Немојте да користите напукнати или поткршени чинии.
Кеси за готвење во рерна	Следете ги упатствата на производителот. Не ги затворајте со метална лента. Направете процепи за да излегува пареата.

## 6 Упатства за приборот

Хартиени тањири и чаши	Само за краткотрајно готвење/загревање. Не ја оставајте микropечката без надзор додека готвите.
Салфети	Користете ги за да ја покриете храната што се подгрева и за впивање на маснотиите. Постојано надзирајте ги додека ги користите само за краткотрајно готвење.
Хартија за печење	Користете ја за покривање за да нема прскање или за замотување за да нема пара.
Пластика	Само безбедна за микropечка. Следете ги упатствата на произведувачот. Треба да има ознака „За микropечка“. Некои пластични садови омекнуваат бидејќи храната во нив станува жешка. На „кесите за вриење“ и цврсто затворените пластични кеси треба да направите процепи, дупчиња или отвори, како што пишува на амбалажата.
Просирна фолија	Само безбедна за микropечка. Користете ја за покривање на храната додека готвите за да се задржи влагата. Внимавајте просирната фолија да не ја допира храната.
Термометри	Само безбедни за микropечка (термометри за месо и слатки).
Восочна хартија	Користете ја за покривање за да нема прскање и за да се задржи влагата.
<b>Материјали што не треба да се користат во микробранова печка</b>	
Алуминиумски сад	Може да предизвика искри. Префрлете ја храната во сад за микробранова употреба.
Картонска кутија за храна со метална рачка	Може да предизвика искри. Префрлете ја храната во сад за микробранова употреба.
Прибор од метал или со метален раб	Металот ја штити храната од микробранова енергија. Металниот раб може да предизвика искри.
Метални лентички за подврзување	Може да предизвикаат искри и пламен во печката.
Хартиени кеси	Може да предизвикаат пламен во печката
Пластична пена	Пластичната пена може да се стопи или да ја контаминира течнoста внатре кога е изложена на висока температура.
Дрво	Дрвото ќе се исуши ако се користи во микробранова печка и може да се расцепи или да напукне.

# 7 Чистење и одржување

## 7.1 Чистење



### **ПРЕДУПРЕДУВАЊЕ:**

Немојте да користите бензин, растворувачи, абразивни средства за чистење, метални предмети или тврди четки кога го чистите апаратот.



### **ПРЕДУПРЕДУВАЊЕ:**

Не го потопувајте апаратот или кабелот во вода или во некоја друга течност.

1. Исклучете го апаратот и извадете го приклучокот од штекерот на сидот.
2. Почекајте апаратот сосема да се олади.
3. Внатрешноста на печката секогаш нека биде чиста. Избришете со влажна крпа кога на сидовите на микропечката ќе сезалепи испрскана храна или истечени течности. Може да се користи благ детергент ако печката е многу извалкана. Не употребувајте спрејови и други јаки средства за чистење бидејќи може да предизвикаат дамки, белези и заматување на површината на вратата.
4. Надворешните површини на микропечката мора да се чистат со влажна крпа. Не дозволувајте да навлезе вода од отворите за вентилација за да не се оштетат функционалните делови на микропечката.
5. Често бришете ги со влажна крпа двете страни на вратата и стаклото, дихтунзите на вратата и деловите во близина на дихтунзите за да ги отстраните дамките што се направиле од претекување и прскање. Не користете абразивни средства за чистење.
6. Не дозволувајте контролната табла да се намокри. Чистете ја со мека, влажна крпа. Оставете ја отворена вратата на микропечката за да не почне случајно да работи додека ја чистите контролната табла.
7. Ако се насобере пареа во или околу вратата на микропечката, избришете ја со мека крпа. Тоа може да се случи ако микробрановата печка се користи во услови на висока влажност. Тоа е нормална појава.
8. Во некои случаи можеби ќе треба да ја извадите стаклената чинија за да ја исчистите. Измијте ја чинијата со топла насапунета вода или во машина за миење садови.
9. Прстенот на тркалцето и дното на микропечката треба редовно да се чистат за да не испуштаат премногу гласен звук.
10. Ќе биде доволно да се избрише долната површина на печката со благ детергент. Прстенот на тркалцето може да се измие со топла насапунета вода или во машина за миење садови. Кога ќе го извадите прстенот на тркалцето од внатрешното дно на микропечката за да го исчистите, внимавајте да го вратите во исправна положба.
11. За да ги отстраните непријатните миризби од печката, ставете чаша вода и сок и кора од лимон во длабока чинија погодна за употреба во микробранова печка и пуштете ја печката да работи 5 минути на микробранов режим. Добро избришете ја и потоа исушете ја со сува, мека крпа.
12. Јавете се во овластен сервис кога ќе треба да се замени сијаличката на микропечката.

## 7 Чистење и одржување

13. Микропечката треба редовно да се чисти и сите остатоци од храна треба да се отстрануваат. Ако не се одржува чиста, може да настанат оштетувања на површините на микропечката кои може негативно да влијаат врз животниот век на апаратот и да предизвикаат евентуални ризици.
14. Не го фрлајте апаратот заедно со отпадот од домаќинството; старите микропечки треба да се фрлат во посебни пунктови одредени од општината.
15. Кога микробрановата печка ќе се користи на функцијата за скара, може да се појави мало количество чад и миризба, но тие ќе исчезнат откако микропечката ќе се користи извесно време.

### 7.2 Складирање

- Ако немате намера да го користите апаратот подолго време, внимателно складирајте го.
- Проверете дали апаратот е исклучен од штекер, оладен и сосема сув.
- Складирајте го апаратот на ладно и суво место.
- Апаратот нека биде вон дофат на деца.

### 7.3 Ракување и транспорт

- За време на ракувањето и транспортот, носете го апаратот во неговата оригинална амбалажа.
- Амбалажата го штити апаратот од физички оштетувања.
- Не ставајте тешки работи врз апаратот или врз амбалажата во која е спакуван. Така апаратот може да се оштети.

## 8 Решавање проблеми

Нормално	
Микробрановата печка го попречува приемот на ТВ	Приемот на радио и ТВ може да биде попречен додека работи микробрановата печка. Тоа е слично на попречувањето што го предизвикуваат малите електрични уреди, како што се миксерите, правосмукалките и електричните фенови. Тоа е нормална појава.
Сијаличката на микроречката е замаглена	При готвење со микробранови со ниска моќност, сијаличката може да се замагли. Тоа е нормална појава.
На вратата се собира пареа, од отворите излегува жежок воздух	Додека се готви, од храната може да излегува пареа. Поголемиот дел од пареата ќе излезе од отворите. Но, дел од неа може да се насобере на студена површина како што е вратата на микроречката. Тоа е нормална појава.
Микроречката почнала да работи случајно без храна во неа.	Не е дозволено апаратот да работи без храна во него. Тоа е многу опасно.

Проблем	Можна причина	Решение
Микроречката не може да почне да работи	1) Електричниот кабел не е исправно приклучен во штекерот.	Извадете го од штекерот. Повторно ставете го по 10 секунди.
	2) Осигурувачот е прегорен или прекинувачот е активиран.	Заменете го осигурувачот или ресетирајте го прекинувачот (поправен од страна на стручни лица на нашата компанија).
	3) Проблем со штекерот.	Проверете го штекерот со други електрични апарати.
Микроречката не загрева.	4) Вратата не е исправно затворена.	Затворете ја вратата како што треба.

## Lees deze handleiding eerst!

Beste klant,

Dank u voor het kiezen van een product van Beko. We hopen dat u het beste haalt uit uw product, dat vervaardigd is met de modernste technologie van hoge kwaliteit. Lees daarom deze gebruikershandleiding en andere bijgeleverde documenten volledig en zorgvuldig door voordat u het product gaat gebruiken en bewaar deze ter referentie in de toekomst. Als u het product aan iemand anders geeft, overhandig dan ook de gebruikershandleiding. Volg alle waarschuwingen en informatie in de gebruikershandleiding op.

## Betekenis van de symbolen

De volgende symbolen worden gebruikt in de verschillende delen van deze gebruikershandleiding:



Belangrijke informatie en nuttige aanwijzingen voor gebruik.



Waarschuwingen voor levensgevaarlijke situaties en schade aan eigendom.



Waarschuwing voor hete oppervlakken.



Waarschuwing voor elektrische schokken.



Waarschuwing voor brandgevaar.



Dit product is vervaardigd in een milieuvriendelijke, moderne faciliteit zonder het milieu op enige manier te schaden.

# 1 Belangrijke veiligheids- en milieurichtlijnen

## **Belangrijke veiligheidsinstructies Lees aandachtig en bewaar ze voor een eventuele toekomstige raadpleging**

### **1.1 Veiligheidsinformatie**

Dit hoofdstuk bevat veiligheidsinstructies die helpen beschermen tegen het risico van brand, elektrische schokken, blootstelling aan lekken van microgolfenergie, persoonlijk letsel of materiele schade. Het niet naleven van deze instructies resulteert in de nietigverklaring van de garantie.

- De magnetrons van Beko zijn conform de geldige veiligheidsnormen; om die reden, in het geval van schade aan het apparaat of het netsnoer, moet het worden gerepareerd of vervangen door de verdeler, het servicecentrum of een specialist en geautoriseerde service om risico's te voorkomen. Slechte reparatiewerken kunnen gevaar en risico's veroorzaken voor de gebruiker.
- Dit apparaat is bedoeld voor huishoudelijk gebruik en gelijkwaardige toepassingen zoals:
  - Personeelskeukens in winkels, kantoren en andere professionele omgevingen;
  - Boerderijen
  - Door klanten in hotels en andere residentiële omgevingen;
  - Bed and breakfast type omgevingen.
- Het is niet ontworpen voor industrieel of laboratorium gebruik.
- Probeer de magnetron niet te gebruiken als de deur open is; zo niet kunt u worden blootgesteld aan schadelijke microgolfenergie. De veiligheidsvergrendelingen mogen niet worden uitgeschakeld of omzeild.
- De magnetron is bedoeld om etenswaren en drank op te warmen. Etenswaren of kleding drogen en verwarmingskussen, slippers, sponzen, vochtige doeken of iets gelijkaardig opwarmen, kan resulteren in het risico van letsels, ontsteking of brand.
- Plaats geen voorwerp tussen de voorzijde en de deur van de magnetron. Laat geen vuil of resten van reinigingsmiddelen opbouwen op de sluitingsoppervlakken.

# 1 Belangrijke veiligheids- en milieurichtlijnen

- Alle onderhoudswerken, inclusief het verwijderen van de afscherming die bescherming biedt tegen de blootstelling aan microgolvenenergie, moeten worden uitgevoerd door geautoriseerde personen/diensten. Elke andere benadering is gevaarlijk.
- Uw product is bedoeld om etenswaren te koken, op te warmen en te ontdooien bij u thuis. Dit apparaat mag niet voor commerciële doeleinden worden gebruikt.
- Uw magnetron is niet ontworpen om een levend wezen te drogen.
- Gebruik uw apparaat niet om kleding of keukenhanddoeken te drogen.
- Gebruik dit apparaat niet buiten, in badkamers, vochtige omgevingen of in plaatsen waar het nat kan worden.
- Er mag geen verantwoordelijkheid of garantieclaim worden verondersteld voor schade als resultaat van misbruik of een incorrecte hantering van het apparaat.
- Probeer het apparaat nooit te ontmantelen. Er worden geen garantieclaims aanvaard voor schade als het gevolg van een incorrecte hantering.
- Gebruik uitsluitend originele onderdelen of onderdelen die door de fabrikant worden aanbevolen.
- Laat het apparaat niet zonder toezicht als het in werking is.
- Gebruik het apparaat altijd op een stabiel, plat, schoon, droog en antislip oppervlak.
- Het apparaat mag niet worden bediend met een externe timer of afzonderlijke afstandsbediening.
- U moet alle onderdelen reinigen voor u het apparaat de eerste maal in gebruik neemt. Raadpleeg de details vermeld in het hoofdstuk "Reiniging en onderhoud".
- Gebruik het apparaat uitsluitend voor de beoogde doeleinden zoals beschreven in deze handleiding.
- Het apparaat wordt zeer warm wanneer het in gebruik is. Let erop geen hete onderdelen van de magnetron aan te raken.
- Bedien de oven niet als hij leeg is.



# 1 Belangrijke veiligheids- en milieurichtlijnen

- Keukengereedschap kan warm worden omwille van de warmte die wordt overgedragen van de opgewarmde etenswaren naar het gereedschap. Het is mogelijk dat u ovenwanten moet gebruiken om het gereedschap vast te houden.
- Het gereedschap moet worden gecontroleerd om zeker te zijn dat ze geschikt zijn voor gebruik in een magnetron.
- Plaats de magnetron niet op een fornuis of andere apparaten die warmte genereren. Zo niet kan hij worden beschadigd en wordt de garantie nietig verklaard.
- Er kan stoom ontsnappen wanneer de afdekking of de folie wordt geopend na de bereiding van de etenswaren.
- Het apparaat en de toegankelijke oppervlakken kunnen heel warm zijn als het apparaat in gebruik is.
- De deur en de glazen plaat kunnen heel warm zijn als het apparaat in gebruik is.
- Zorg ervoor dat uw netspanning overeenstemt met de gegevens op het typeplaatje van het apparaat.
- De enige manier om het apparaat los te koppelen van het elektrisch net is door de stekker te verwijderen uit het stopcontact.
- Gebruik het apparaat enkel met een gaard stopcontact.
- Gebruik het apparaat niet als het netsnoer of het apparaat zelf beschadigd is.
- Gebruik dit apparaat niet met een verlengsnoer.
- Raak het apparaat of de stekker nooit aan met vochtige of natte handen.
- Het apparaat moet zodanig worden gepositioneerd dat de stekker toegankelijk blijft.
- Voorkom schade aan het netsnoer door het niet plat te drukken, te buigen of over scherpe randen te schuren. Houd het netsnoer uit de buurt van hete oppervlakken en open vlammen.
- Zorg ervoor dat er geen gevaar bestaat dat iemand per ongeluk kan trekken aan het netsnoer of dat er iemand over kan struikelen wanneer het apparaat in gebruik is.
- Verwijder de stekker uit het stopcontact na elke reiniging en wanneer u het apparaat niet gebruikt

# 1 Belangrijke veiligheids- en milieurichtlijnen

- Trek niet aan het netsnoer van het apparaat om het los te koppelen van het elektrisch net en wikkel het netsnoer nooit rond het apparaat.
- Dompel het apparaat, het netsnoer of de stekker nooit onder in water of in een andere vloeistof. Houd het niet onder stromend water.
- Als u etenswaren opwarmt in papieren of plastic containers moet u de ogen in het oog houden en opletten voor een mogelijke ontbranding.
- Verwijder de draadstrips en/of metalen handvaten van papieren of plastic zakjes voor u ze in de magnetron plaatst.
- Als u rook opmerkt, moet u het apparaat uitschakelen of de stekker uit het stopcontact verwijderen, als dit veilig kan, en de deur gesloten houden om eventuele vlammen te smoren.
- Gebruik de magnetron niet voor opslag. Laat geen papieren items, kookmateriaal of voedsel in de magnetron staan als u hem niet gebruikt.
- De inhoud van zuigflessen en babyvoeding moeten worden geschud of gemengd en de temperatuur moet worden gecontroleerd voor verbruik om brandwonden te vermijden.
- Dit apparaat is een Groep 2 klasse B ISM apparaat. Groep 2 bevat alle ISM (Industrieel, Wetenschappelijk en Medisch) apparaat waarin radiofrequentie energie opzettelijk wordt gegenereerd en/of gebruikt in de vorm van elektromagnetische straling voor de behandeling van materiaal en vonkerosie apparaat.
- Klasse B apparatuur is geschikt voor huishoudelijk gebruik en voor gebruik in vestigingen die rechtstreeks zijn verbonden met een laagspanningsnetwerk.
- Gebruik geen kookolie in de magnetron. Hete olie kan de onderdelen en het materiaal van de magnetron beschadigen en het kan brandwonden veroorzaken op de huid.
- Doorprik etenswaren met een dikke korst zoals aardappelen, courgettes, appelen en kastanjes.

# 1 Belangrijke veiligheids- en milieurichtlijnen

- Het apparaat moet zodanig worden geplaatst dat de achterzijde naar de muur is gericht.
- Voor u het apparaat verplaatst, moet u de draaitafel vastmaken om schade te voorkomen.
- Eieren in de schaal en volledige hardgekookte eieren mogen niet worden opgewarmd in de magnetron want ze kunnen ontploffen, zelfs na het opwarmen van de magnetron.
- De magnetron moet regelmatig worden gereinigd en etensresten moeten worden verwijderd.
- Er moet ten minste 20 cm vrije ruimte worden gelaten boven de magnetron.
- U mag etenswaren niet te lang in de magnetron bereiden: dit kan namelijk brand veroorzaken.
- Gebruik geen chemicaliën en stoomreinigers om het apparaat te reinigen.

**WAARSCHUWING:** Als de deur of afdichtingen van de deur beschadigd zijn, mag u de magnetron niet gebruiken. U moet hem laten repareren door een bevoegde persoon.

**WAARSCHUWING:** Het is gevaarlijk voor iemand die niet bevoegd is om een onderhoud of reparatie uit te voeren waarbij een afdekking moet worden verwijderd die bescherming biedt tegen blootstelling aan magnetron energie.

**WAARSCHUWING:** Vloeistoffen en andere etenswaren mogen niet worden opgewarmd in gesloten containers aangezien ze kunnen ontploffen.

- U moet uiterst voorzichtig zijn als u het apparaat gebruikt in de buurt van kinderen en personen met een beperkt fysiek, gevoelsmatig en mentaal vermogen.
- Dit apparaat mag worden gebruikt door kinderen van 8 jaar of ouder en door personen met een beperkt fysiek, gevoelsmatig of mentaal vermogen of met een gebrek aan kennis en ervaring, op voorwaarde dat zij onder toezicht staan met betrekking tot het veilige gebruik van het product of dat ze de instructies hebben gekregen of de potentiële gevaren van het gebruik van het product begrijpen. Kinderen mogen niet spelen met het apparaat.

# 1 Belangrijke veiligheids- en milieurichtlijnen

De reiniging en de onderhouds-procedures van de gebruiker mogen niet worden uitgevoerd door kinderen tenzij ze onder toezicht staan van een oudere persoon.

- **Verstikkingsgevaar!** Houd alle verpakkingsmateriaal uit de buurt van kinderen.
- Vanwege de overmatige hitte die wordt gegenereerd in de grill- en combinatiemodi mogen kinderen deze modi niet gebruiken tenzij ze onder toezicht staan van een volwassene.
- Houd het product en het netsnoer buiten handbereik van kinderen jonger dan 8 jaar.
- Plaats de etenswaren die u wilt bereiden niet rechtstreeks op de glazen schotel. Plaats de etenswaren in / op geschikte containers voor u ze in de magnetron plaatst.
- Metalen containers voor etenswaren en drank zijn niet toegelaten voor bereidingen in de magnetron. Deze kunnen vonken veroorzaken.

- De magnetron mag niet in een kast worden geplaatst die niet conform is met de installatievoorschriften.
- De magnetron is uitsluitend bedoeld voor ingebouwd gebruik.
- Indien er ingebouwde apparaten worden gebruikt die 900 mm of hoger boven de vloer komen, moet u er zorg voor dragen de draaitafel niet te verplaatsen wanneer u de containers uit het apparaat verwijdert.
- Als het ingebouwde product in een kast met een deur wordt gemonteerd, moet de deur altijd open worden gelaten wanneer het product in gebruik is.

## 1.2 Conformiteit met de WEEE-richtlijn en Verwijdering van afvalproducten:

Dit product is conform met de EU WEEE-richtlijn (2012/19/EU). Dit product draagt een classificatiesymbool voor afval elektrische en elektronische apparatuur (WEEE).



Dit symbool wijst erop dat dit product niet mag worden weggegooid met ander huishoudelijk afval aan het einde van de levensduur. Een gebruikt apparaat moet naar een officieel inzamel-punt worden gebracht voor recycling van elektrische en elektronische apparaten.

Neem contact op met uw lokale autoriteiten of detailhandelaar waar het product is gekocht om deze collectiesystemen te vinden.

# 1 Belangrijke veiligheids- en milieurichtlijnen

Elk gezin speelt een belangrijke rol in de recuperatie en recycling van oude apparaten. De correcte verwijdering van gebruikte apparatuur helpt potentiële negatieve gevolgen voor het milieu en de volksgezondheid te voorkomen.

## 1.3 Conformiteit met de RoHS-richtlijn

Het product dat u hebt gekocht is conform met de Europese RoHS-richtlijn (2011/65/EU). Het bevat geen schadelijk en verboden materiaal zoals gespecificeerd in de Richtlijn.

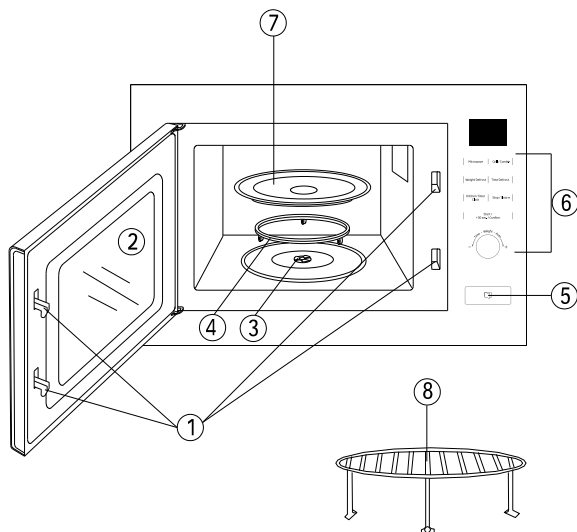
## 1.4 Informatie op de verpakking



Het verpakkingsmateriaal van het product is gefabriceerd van recyclebaar materiaal in overeenstemming met onze Nationale Milieuwetgeving. U mag het verpakkingsmateriaal niet samen met het huishoudelijke of ander afval weggooien. Breng het naar de inzamelpunten voor verpakkingsmateriaal aangewezen door de lokale autoriteiten.

## 2 Uw magnetron

### 2.1 Overzicht



1. Veiligheid vergrendelingssysteem van de deur
2. Ovenvenster
3. Draaitafel as
4. Draaitafel steun
5. Deur opening knop
6. Bedieningspaneel
  - Magnetron
  - Grill / Combi.
  - Gewicht ontdooien
  - Tijd ontdooien
  - Keukentimer Klok
  - Stoppen / Wissen
  - Start/+30Sec./Bevestigen
  - Tijd / Gewicht / Automatisch ( drukknop)
7. Glazen schotel
8. Grill rek ( kan niet worden gebruikt in de magnetron functie en moet op de glazen schotel worden geplaatst)

### 2.2. Technische gegevens

<b>Stroomverbruik</b>	230 V~50 Hz, 1270 W (magnetron) 1000 W (Grill)
<b>Uitgang</b>	800 W
<b>Operationele frequentie</b>	2450 MHz
<b>Externe afmetingen (Hx Bx D) mm</b>	387x594x333
<b>Ovencapaciteit</b>	20 liter
<b>Nettogewicht</b>	16,5 kg
<b>Kleur</b>	Zwart

Technische en ontwerp wijzigingsrechten zijn voorbehouden.

De markeringen op het apparaat of de waarden vermeld in andere documenten die worden geleverd met het product zijn waarden verkregen in laboratorium omstandigheden volgens de relevante normen. Deze waarden kunnen variëren naargelang het gebruik van het apparaat en omgevingsvoorwaarden. Stroomwaarden worden getest aan 230 V.

## 3 Installatie en verbinding

### 3.1 Installatie-instructies

- Respecteer de speciale installatie-instructies.
- Het apparaat kan worden geïnstalleerd in een aan de muur gemonteerde kast van 60 cm breed.
- Het apparaat is voorzien van een stekker en mag enkel worden aangesloten op een correct geïnstalleerd geaard stopcontact.
- De nominale spanning moet overeenstemmen met de spanning gespecificeerd op het naamplaatje.
- De aansluiting moet worden geïnstalleerd en de aansluitingskabel mag enkel worden vervangen door een gekwalificeerde elektricien. Als de stekker niet meer toegankelijk is na de installatie moet een alpolige uitschakelinrichting aanwezig zijn op de installatiezijde met een contactopening van minimum 3mm.



**WAARSCHUWING:** Adapters, meervoudige strips en verlengsnoeren mogen niet worden gebruikt. Overbelasting kan resulteren in brand.

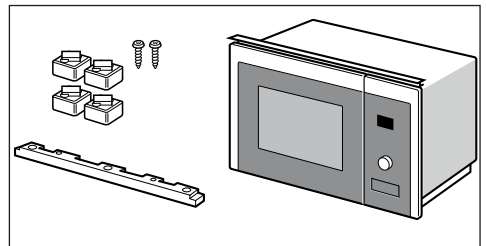
### 3.2 Elektrische verbinding

- Het apparaat is voorzien van een stekker en mag enkel worden aangesloten op een correct geïnstalleerd geaard stopcontact.
- Enkel een gekwalificeerde elektricien die rekening houdt met de geldende voorschriften mag het stopcontact installeren of de aansluitkabel vervangen.
- Als de stekker niet meer toegankelijk is na de installatie moet een pool isolatieschakelaar aanwezig zijn op de installatiezijde met een contactopening van minimum 3 mm.
- Aanrakingsbeveiliging moet worden gebruikt tijdens de installatie.

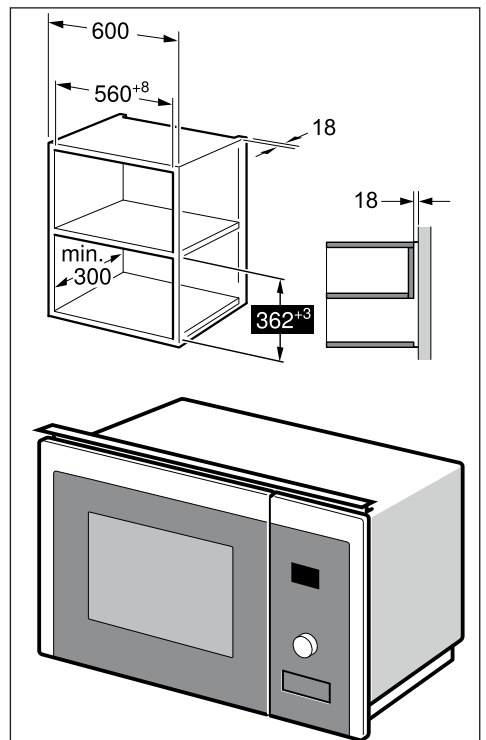
### 3.3 Apparaat in een eenheid die aan de muur hangt

De kast waarin de magnetron wordt geïnstalleerd mag geen achterwand hebben achter het apparaat. Minimum installatiehoogte: 850 mm. Ventilatiesleuven en inlaten mogen niet worden afgedekt.

Onderdelen;



Apparaat in een eenheid die aan de muur hangt



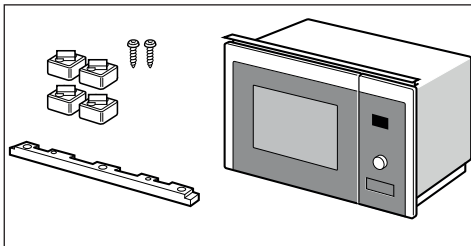
## 3 Installatie en verbinding

### 3.4 Apparaat in een hoge eenheid

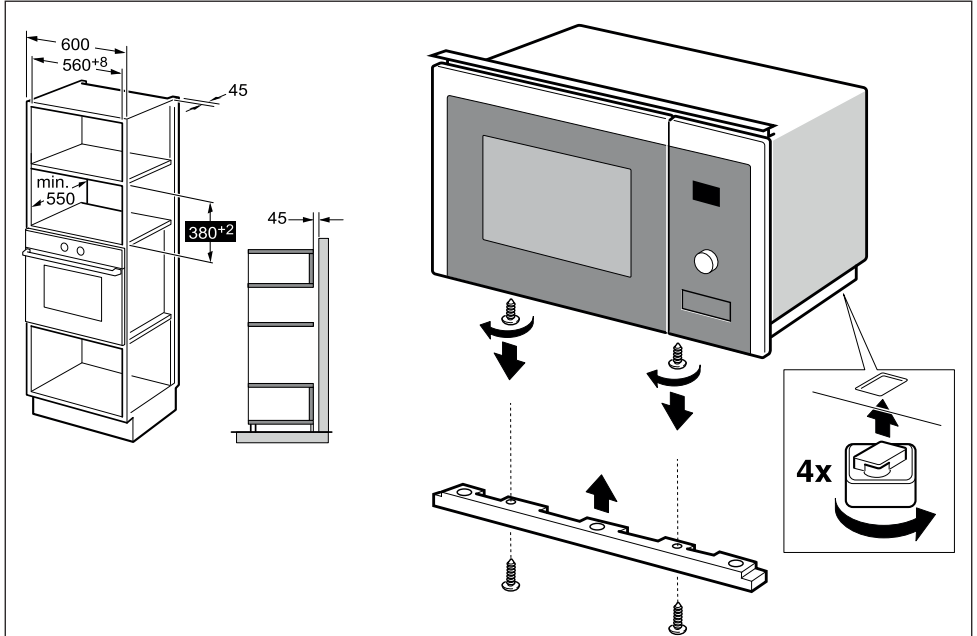
De kast waarin de magnetron wordt geïnstalleerd mag geen achterwand hebben achter het apparaat.

Minimum installatiehoogte: 850 mm.  
Ventilatiesleuven en inlaten mogen niet worden afgedekt.

#### Onderdelen;



#### Apparaat in een hoge eenheid



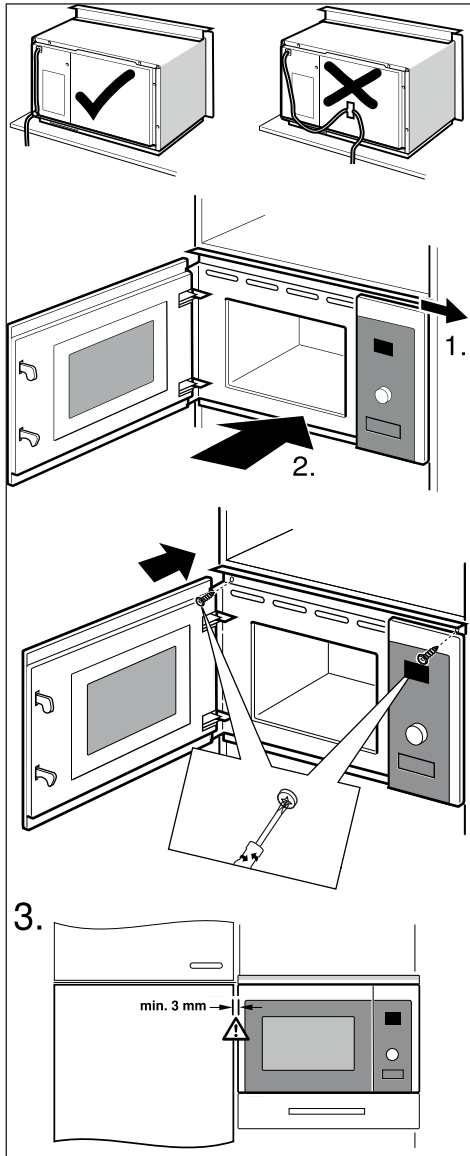


## 3 Installatie en verbinding

### 3.5 Installatie van de magnetron



**WAARSCHUWING:** U mag het net-snoer niet klemmen of buigen.



### 3.6 Installatie van de draaitafel

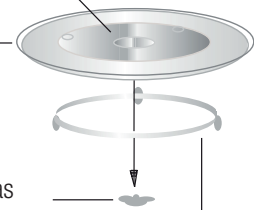
- Plaats de glazen schotel nooit omgekeerd. De glazen schotel mag nooit worden belemmerd.
- Zowel de glazen schotel als de draaitafel steun moeten altijd worden gebruikt tijdens de bereiding.
- Alle etenswaren en containers moeten altijd op de glazen schotel worden geplaatst tijdens bereidingen.
- Als de glazen schotel of draaitafel barst of breekt, moet u contact opnemen met uw dichtstbijzijnde geautoriseerde dienstencentrum.

Naaf (onderzijde)

Glazen schotel

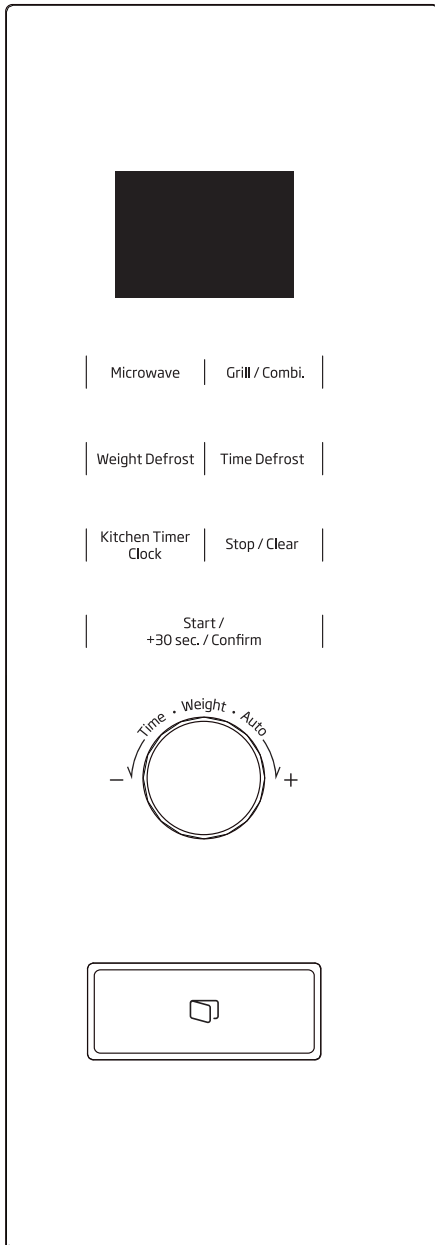
Draaitafel as

Draaitafel steun



## 4 Bediening

### 4.1 Bedieningspaneel



### 4.2 Klok instelling

Als de magnetron wordt ingeschakeld, geeft de oven "0:00" weer. De zoemer weerklinkt één maal. De magnetron schakelt over op de wachtstand.

1. Druk twee maal op "Kitchen Timer/Clock" en de cijfers voor het uur zullen beginnen knipperen.
2. Draai aan "Time / Weight / Auto" om het uur aan te passen; de invoerwaarde moet een waarde zijn tussen 0 en 23.
3. Druk twee maal op "Kitchen Timer/Clock" en de cijfers voor de minuten zullen beginnen knipperen.
4. Draai aan "Time / Weight / Auto" om de minuten aan te passen; de invoerwaarde moet een waarde zijn tussen 0 en 59.
5. Druk op "Kitchen Timer/Clock" om de tijdstelling te voltooien. Het ":" symbool begint te knipperen en de tijd licht op.



Als de klok niet wordt ingesteld, schakelt ze niet in wanneer de magnetron wordt ingeschakeld.

### 4.3 Bereidingen in de magnetron

1. Druk een maal op de "Microwave" knop en "P100" verschijnt op het scherm.
2. Druk opnieuw op "Microwave" of draai aan "Time / Weight / Auto" om het geselecteerde vermogen te selecteren. Elke maal u de toets indrukt, verschijnt "P100", "P80", "P50", "P30" of "P10" respectievelijk op het scherm.
3. Druk op "Start/+30 Sec./Confirm" om het gewenste vermogen te bevestigen.
4. Draai aan "Time / Weight / Auto" om de bereidingstijd in te stellen op een waarde tussen 0:05 en 95:00.
5. Druk opnieuw op "Start/+30 Sec./Confirm" om de bereiding te starten.
6. De tijd op het scherm begint af te tellen.
7. Het "piepend" geluid weerklinkt aan het einde van het proces.

## 4 Bediening

De stappen om de tijd aan te passen met de codering knop zijn als volgt:

De tijdsduur instellen	Stap aantal
0-1 minuut	5 seconden
1-5 minuten	10 seconden
5-10 minuten	30 seconden
10-30 minuten	1 minuut
30-95 minuten	5 minuten

### Magnetron vermogendiagram

Mag- netron ver- mogen	Hoog	Gem. hoog	Gem.	Gem. Laag	Laag
Scherm	P100	P80	P50	P30	P10

### 4.4 Grill of combi bereiden

1. Druk één maal op “Grill/Combi.”, “G” verschijnt op het scherm.
2. Druk herhaaldelijk op of draai aan “Time / Weight / Auto” om het gewenste vermogen te selecteren en “G,” “C-1” of “C-2” verschijnt op het scherm.
3. Druk op “Start/+30Sec./Confirm” om het vermogen te bevestigen.
4. Draai aan “Time / Weight / Auto” om de bereidingstijd in te stellen. (De maximum bereidingsduur is 95 minuten)
5. Druk opnieuw op “Start/+30Sec./Confirm” om de bereiding te starten.
6. De tijd op het scherm begint af te tellen.
7. Het “piepend” geluid weerklinkt aan het einde van het proces.

### Combinatie vermogen instructies

Program- ma	Scherm	Magnetron vermogen	Grill ver- mogen
Grill	G	0%	100%
Combi.1	C-1	55%	45%
Combi.2	C-2	36%	64%



Als de helft van de grill bereidingsduur verstreken is, geeft de magnetron twee maal een geluidssignaal weer, en dit is normaal. Voor een beter grill-effect van uw etenswaren, moet u de etenswaren omdraaien, de deur sluiten, en op “Start/+30Sec./Confirm” drukken om de bereiding verder te zetten. Indien geen bediening wordt uitgevoerd, blijft de magnetron werken.

### 4.5 Ontdooien volgens gewicht

1. Druk een maal op “Weight Defrost”. “dEF1” verschijnt op het scherm.
2. Draai aan “Time / Weight / Auto” om het gewicht van de etenswaren in te stellen. Het gewicht bereik is 100-2000g.
3. Druk opnieuw op “Start/+30Sec./Confirm” om de ontdooiing te starten.
4. De tijd op het scherm begint af te tellen.
5. Het “piepend” geluid weerklinkt aan het einde van het proces.



Als de helft van de ontdooien tijdsduur is verstreken, geeft de magnetron twee maal een geluidssignaal weer, en dit is normaal. Voor een beter ontdooien effect, moet u de etenswaren omdraaien, de deur sluiten, en op “Start/+30Sec./Confirm” drukken om de bereiding verder te zetten. Indien geen bediening wordt uitgevoerd, blijft de magnetron werken.

### 4.6 Ontdooien volgens tijd

1. Druk een maal op “Time Defrost”. “dEF2” verschijnt op het scherm.
2. Draai aan “Time / Weight / Auto” om de bereidingstijd te selecteren. De maximum bereidingsduur is 95 minuten.

## 4 Bediening

3. Druk opnieuw op "Start/+30Sec./Confirm" om de ontthooien te starten.
4. De tijd op het scherm begint af te tellen.
5. Het "piepend" geluid weerklinkt aan het einde van het proces.



Als de helft van de ontthooien tijdsduur is verstreken, geeft de magnetron twee maal een geluidssignaal weer, en dit is normaal. Voor een beter ontthooien effect, moet u de etenswaren omdraaien, de deur sluiten, en op "Start/+30Sec./Confirm" drukken om de bereiding verder te zetten. Indien geen bediening wordt uitgevoerd, blijft de magnetron werken.

### 4.7 Meerfasige bereiding

U kunt maximum twee fasen instellen. Als een stage ontthooit, moet ze automatisch in de eerste fase worden geplaatst. De zoemer weerklinkt een maal na iedere fase en de volgende fase begint.



Het automatische menu en de snelle bereiding konden niet worden ingesteld als een van de multi-fasen.

**Voorbeeld:** Als u de etenswaren gedurende 5 minuten wilt ontthooien en daarna bereiden met een magnetron vermogen van 80% gedurende 7 minuten.

#### De stappen zijn als volgt:

1. Druk een maal op "Time Defrost". "dEF2" verschijnt op het scherm.
2. Draai aan "Time / Weight / Auto" om de ontthooitijd van 5 minuten te selecteren;
3. Druk een maal op "Microwave". "P100" verschijnt op het scherm.
4. Druk herhaaldelijk op "Microwave" om het magnetron vermogen te selecteren tot "P80" verschijnt;
5. Druk op "Start/+30Sec./Confirm" om te bevestigen.

6. Draai aan "Time / Weight / Auto" om de bereidingstijd van 7 minuten aan te passen;
7. Druk opnieuw op "Start/+30Sec./Confirm" om de bereiding te starten.
8. Het "piepend" geluid weerklinkt aan het einde van het proces.

### 4.8 Keukentimer

1. Druk een maal op "Kitchen Timer/Clock". Het scherm geeft 00:00 weer.
2. Draai aan "Time / Weight / Auto" om de correcte timer in te voeren. (De maximum bereidingsduur is 95 minuten)
3. Druk op "Start/+30Sec./Confirm" om te bevestigen.
4. De tijd op het scherm begint af te tellen.
5. Het "piepend" geluid weerklinkt aan het einde van het proces.

### 4.9 Automatisch menu

1. In de wachtstand, draai aan "Time / Weight / Auto" om het menu te kiezen. "A1" verschijnt op het scherm.
2. Draai aan "Time / Weight / Auto" om het gewenste menu te selecteren, "A 1" tot "A 8" verschijnen op het scherm.
3. Druk op "Start/+30Sec./Confirm" om het menu te bevestigen.
4. Draai aan "Time / Weight / Auto" om het gewicht van de etenswaren te selecteren.
5. Druk opnieuw op "Start/+30Sec./Confirm" om de bereiding te starten.
6. De tijd op het scherm begint af te tellen.
7. Het "piepend" geluid weerklinkt aan het einde van het proces.

#### Het menudiagram:

Menu	Gewicht	Stroom
A 1 - Pizza	200 g	100%(Mag.)
	400 g	

## 4 Bediening

A 2 - Vlees	250 g	100%(Mag.)
	350 g	
	450 g	
A 3 - Groenten	200 g	100%(Mag.)
	300 g	
	400 g	
A 4 - Pasta	50g (met 450g koud water)	80%(Mag.)
	100g (met 800g koud water)	
A 5 - aard-appelen	200 g	100%(Mag.)
	400 g	
	600 g	
A 6 - Vis	250 g	80%(Mag.)
	350 g	
	450 g	
A 7 - Drink	1 cup (ca. 120ml)	100%(Mag.)
	2 cups (ca. 240ml)	
	3 cups (ca. 360ml)	
A 8 - Pop-corn	50 g	100%(Mag.)
	100 g	

### 4.10 Snelle bereiding

1. In de wachtstatus, druk op "Start/+30Sec./Confirm" om te koken aan een vermogen van 100% gedurende 30 seconden. Iedere maal u dezelfde knop indrukt, kunt u de tijdsduur verhogen met 30 seconden. De maximum bereidingsduur is 95 minuten.
2. Tijdens het koken met de magnetron, grill, combinatie bereiding en het ontdooien volgens tijd proces, drukt u op "Start/+30Sec./Confirm" om de bereidingsduur te verhogen.
3. In de verschillende statussen van de automatische menu en ontdooien volgens gewicht kan de bereidingsduur niet worden verhoogd door in te drukken "Start/+30Sec./Confirm".

4. In de wachtstand, draai aan "Time / Weight / Auto" om het menu te kiezen. Nadat u de bereidingstijd hebt aangepast, drukt u op "Start/+30Sec./Confirm" om de bereiding te starten in de magnetron met 100% van het vermogen.

### 4.11 Vergrendelingsfunctie voor kinderen

**Vergrendelen:** In de wachtstatus, druk op "STOP/Clear" gedurende 3 seconden om naar de kinderslot status te gaan en de huidige tijd verschijnt als de tijd werd ingesteld. Zo niet verschijnt "☐" op de scherm.

**Vergrendeling afsluiten:** In de vergrendelde status drukt u gedurende 3 seconden op "STOP/Clear". Het kinderslot wordt uitgeschakeld.

### 4.12 Informatiefunctie

1. In de bereidingsstatus van de magnetron, grill en combinatie. Druk op "Microwave" of "Grill/Combi." en het huidige vermogen wordt weergegeven gedurende 3 seconden.
2. Als de klok is ingesteld, tijdens de bereidingsstatus, druk op "Kitchen Timer/Clock" om het huidige tijdstip te controleren. Deze wordt 3 seconden weergegeven.

### 4.13 Specificatie

1. Als de deur wordt geopend tijdens de bereiding moet u de deur sluiten en op "Start/+30Sec./Confirm" drukken om de bereiding te hervatten.
2. Als het kookprogramma werd ingesteld, wordt "Start/+30Sec./Confirm" 1 minuut niet ingedrukt. De huidige tijd wordt weergegeven. De instelling wordt geannuleerd.
3. De zoemer weerklinkt een maal als de knop efficiënt wordt ingedrukt, inefficiënt indrukken levert geen reactie op.

## 5 Bereidingstips

De volgende factoren kunnen de bereiding beïnvloeden:

### **Etenswaren schikking**

Plaats dikkere zones aan de buitenzijde van de schotel, de dunnere in het midden en spreid ze gelijkmatig. U mag ze niet overlappen indien mogelijk.

### **Bereidingstijd duur**

Begin te koken met een korte tijdstelling en verhoog deze aan het einde naargelang de reële noodzaak. Te lang koken kan resulteren in rook en brandwonden.

### **Kook de etenswaren gelijkmatig.**

Etenswaren zoals kip, hamburger of steak moeten een maal worden omgedraaid tijdens de bereiding. Naargelang het type etenswaren moet u één of twee maal tijdens de bereiding van buiten naar binnen roeren.

### **Laat voldoende tijd om de bereiding te laten rusten.**

Aan het einde van de bereidingstijd moet u de etenswaren voldoende lang in de magnetron laten rusten. Zo wordt de bereidingscyclus voltooid en koelen de etenswaren geleidelijk af.

### **Of de etenswaren gaar zijn**

De kleur en hardheid van de etenswaren helpen bepalen of ze gaar zijn, onder andere:

- Er ontsnapt stoom uit alle delen van de etenswaren, niet alleen aan de rand.
- Gevogelte kan gemakkelijk worden verplaatst.
- Varkensvlees of gevogelte vertonen geen tekenen van bloed.
- Vis is ondoorzichtig en kan gemakkelijk worden gesneden met een vork.

### **Braadschotel**

Als u een braadschotel of zelfverwarmende container gebruikt, moet u altijd een warmtebestendige isolatie zoals een porseleinen schotel onder de container plaatsen om schade aan de draaitafel en draairing te voorkomen.

### **Magnetron veilige plasticfolie**

Als u etenswaren bereidt met een hoog vetgehalte mag de plasticfolie niet in aanraking komen met de etenswaren aangezien de folie kan smelten.

### **Magnetron veilig plastic keukengerei**

Bepaalde magnetron veilig plastic keukengerei is mogelijk niet geschikt voor de bereiding van etenswaren met een hoog vet- en suikergehalte. U mag ook de voorverwarmingsduur die wordt gespecificeerd in de handleiding niet overschrijden.

## 6 Gereedschap richtlijnen

### 6.1 Materiaal dat u in de magnetron kunt gebruiken of moet vermijden.



Gevaar van persoonlijke letsels: Het is gevaarlijk voor iemand die niet bevoegd is om een onderhoud of reparatie uit te voeren waarbij een afdekking moet worden verwijderd die bescherming biedt tegen blootstelling aan magnetron energie.

Raadpleeg de instructies over “Materiaal dat u in de magnetron kunt gebruiken of moet vermijden in de magnetron”. Er kan niet-metalen gereedschap bestaan dat veilig is voor gebruik in de magnetron. Als u twijfelt, kunt u het gereedschap testen op basis van de volgende procedure:

#### Test van het gereedschap:

1. Vul een magnetron-veilige container met 1 kop koud water (250ml) samen met het gereedschap dat u wilt testen.
2. Kook gedurende 1 minuut aan maximum vermogen.
3. Raak het gereedschap voorzichtig aan. Als het lege gereedschap warm is, mag u het niet gebruiken voor bereidingen in de magnetron.
4. U mag de bereidingsduur van 1 minuut niet overschrijden.

Materiaal dat u kunt gebruiken in de magnetron	
Gereedschap	Opmerkingen
Aluminiumfolie	Enkel voor afdekking. Kleine, vlakke stukken kunnen worden gebruikt om dunne delen vlees of gevogelte af te dekken om overkoken te voorkomen. Vonken kunnen optreden als de folie te dicht in de buurt van de magnetronwanden komen. De folie moet minimum 2,5 cm van de magnetronwanden verwijderd zijn.
Braadschotel	Volg de instructies van de fabrikant. De onderzijde van de braadschotel moet minimum 5mm magnetron de draaitafel staan. Een incorrect gebruik kan de draaitafel doen breken.
Serviesgoed	Enkel magnetron-veilig. Volg de instructies van de fabrikant. Gebruik geen gebarsten borden.
Glazen kannen	Verwijder altijd het deksel. Gebruik ze enkel om etenswaren op te warmen tot ze warm zijn. De meeste glazen kannen zijn niet warmtebestendig en kunnen breken.
Glaswerk	Uitsluitend warmtebestendig glaswerk. Zorg ervoor dat er geen metalen rand is. Gebruik geen gebarsten borden.
Magnetron kookzakjes	Volg de instructies van de fabrikant. Niet sluiten met een metalen afsluitstrip. Maak openingen om de stoom te laten ontsnappen.
Papieren borden en kopjes	Uitsluitend gebruiken voor korte bereidingen/opwarmingen. Laat de magnetron niet zonder toezicht tijdens een bereiding.
Papieren handdoeken	Gebruik deze om etenswaren af te dekken om opnieuw op te warmen en vet te absorberen. Uitsluitend gebruiken onder toezicht voor korte bereidingen.
Perkametpapier	Als afdekking gebruiken om spatten te vermijden of een wrap om te stomen.

## 6 Gereedschap richtlijnen

Plastic	Enkel magnetron-veilig. Volg de instructies van de fabrikant. Moet als "Magnetron-veilig" worden gelabeld. Sommige plastic containers worden zacht naarmate de etenswaren warm wordt. U moet openingen maken in de "Kookzakjes" en nauw gesloten plastic zakken volgens de instructies op de verpakkingen.
Plastic wikkeling	Enkel magnetron-veilig. Gebruiken om etenswaren af te dekken tijdens bereidingen om vocht te bewaren. De plastic wikkeling mag niet in aanraking komen met de etenswaren.
Thermometers	Uitsluitend magnetron-veilig (vlees en snoep thermometers).
Vetvrij papier	Gebruik als afdekking om spatten te voorkomen en vocht te bewaren.
<b>Materiaal dat u moet vermijden in de magnetron</b>	
Aluminium schotel	Kan vonken veroorzaken. Plaats de etenswaren in een magnetron-veilige schotel.
Etenswaren karton met metalen handvat	Kan vonken veroorzaken. Plaats de etenswaren in een magnetron-veilige schotel.
Gereedschap van metaal of met een metalen afwerking	Metaal dekt de etenswaren van magnetron energie. Metalen randen kunnen vonken veroorzaken.
Metalen sluitstrips	Kan vonken veroorzaken en brand veroorzaken in de magnetron.
Papieren zakken	Kan brand veroorzaken in de magnetron.
Plastic schuim	Plastic schuim kan smelten en de vloeistoffen vervuilen in de magnetron als het wordt blootgesteld aan een hoge temperatuur.
Hout	Hout droogt uit als het in de magnetron wordt gebruikt en het kan splitsen of barsten.



# 7 Reiniging en onderhoud

## 7.1 Reiniging



**WAARSCHUWING:** Gebruik nooit benzine, oplosmiddelen of schuurmiddelen, metalen voorwerpen of harde borstels om het apparaat schoon te maken.



**WAARSCHUWING:** Dompel het apparaat nooit in water of een andere vloeistof.

- Schakel het apparaat uit en trek de stekker uit het stopcontact.
- Laat het apparaat volledig afkoelen.
- Houd de binnenkant van de oven schoon. Veeg gespat voedsel of gemorste vloeistof die aan de wanden van de oven plakken af met een vochtige doek. Als de oven erg vuil wordt, kunt u een mild schoonmaakmiddel gebruiken. Voorkom het gebruik van sprays en andere bijtende schoonmaakmiddelen. Deze kunnen vlekken, sporen en matheid op het deuropervlak veroorzaken.
- De buitenkant van de oven moet worden gereinigd met een vochtige doek. Laat geen water in de ventilatieopeningen lopen om te voorkomen dat de werkende delen van de oven beschadigd raken.
- Veeg beide zijden van de deur en het glas, deurrubbers en delen dichtbij de rubbers regelmatig met een vochtige doek om de gemorste en gespatte vlekken te verwijderen. Gebruik geen schurende schoonmaakmiddelen.
- Laat het bedieningspaneel niet nat worden. Reinig met een vochtige, zachte doek. Laat de deur van de oven open om te voorkomen dat de oven per ongeluk in werking treedt tijdens het schoonmaken van het bedieningspaneel.
- Veeg eventueel ontstane stoom in en om de ovendeur af met een zachte doek. Dit kan voorkomen als de magnetron wordt gebruikt onder omstandigheden met een hoge luchtvochtigheid. Dit is normaal.
- In sommige gevallen moet u de glazen schaal verwijderen om deze te reinigen. Was de schaal met warm sop of in de vaatwasmachine.
- De rolring en bodem van de oven moeten regelmatig worden gereinigd om overmatig lawaai te voorkomen.
- Het is voldoende om de bodem van de oven te reinigen met een mild schoonmaakmiddel. De rolring kan worden gewassen met sop of in de vaatwasmachine. Als u de rolring uit de bodem van de oven verwijderd om deze te reinigen, zorg er dan voor dat u deze op de juiste positie terugplaatst.
- Voor verwijdering van slechte geuren in uw oven zet u een glas water met het sap en de schil van een citroen in een diepe magnetronbestendige schaal en laat u de oven gedurende 5 minuten op de magnetronstand werken. Veeg grondig af en droog dan met een zachte doek.
- Neem contact op met de erkende servicedienst als de ovenlamp vervangen dient te worden.
- De oven moet regelmatig worden gereinigd en enige voedselresten moeten worden verwijderd. Indien de oven niet schoon wordt gehouden kan dit defecten in het oppervlak veroorzaken die de levensduur van het apparaat negatief kunnen beïnvloeden en dat kan risico's met zich meebrengen.
- Gooi dit apparaat niet weg met het huishoudelijk afval; oude ovens moeten worden afgevoerd door speciale afvalcentra die door de gemeenten zijn aangesteld.
- Als de magnetron wordt gebruikt met de grillfunctie kan er een kleine hoeveelheid rook en geur ontstaan, die na kort gebruik zal verdwijnen.

## 7 Reiniging en onderhoud

### 7.2 Opslag

- Als u van plan bent het apparaat gedurende een lange periode niet te gebruiken, ruim het dan zorgvuldig op.
- Zorg ervoor dat het apparaat los is van het stopcontact, volledig is afgekoeld en compleet droog is.
- Bewaar het apparaat op een koele en droge plaats.
- Bewaar het apparaat buiten het bereik van kinderen.

### 7.3 Hantering en transport

- Wanneer u het apparaat hanteert en verplaatst, moet u het in de originele verpakking dragen.
- De verpakking van het apparaat beschermt het tegen fysieke schade.
- Plaats geen zware lasten op het apparaat of op de verpakking. Het apparaat kan worden beschadigd.

## 8 Probleemoplossing

Normaal	
Magnetron stoort op de ontvangst van de tv	Radio- en tv-ontvangst kunnen worden gestoord door de werkende magnetron. Het is een soortgelijke storing als die wordt veroorzaakt door kleine elektrische apparaten, zoals een mixer, stofzuiger en elektrische ventilator. Dit is normaal.
De ovenverlichting is gedimd	Tijdens bereiding op laag magnetronvermogen kan de ovenverlichting gedimd zijn. Dit is normaal.
Ontstane stoom op de deur, hete lucht uit de ventilatiegaten	Tijdens de bereiding kan er uit het voedsel stoom ontstaan. Het merendeel van deze stoom zal door de ventilatiegaten worden afgevoerd. Toch kan er wat stoom ontstaan op een koele plaats als de ovendeur. Dit is normaal.
De oven ging per ongeluk in werking zonder voedsel.	Het apparaat mag niet worden gebruikt zonder voedsel te bevatten. Dit is heel gevaarlijk.

Probleem	Mogelijke oorzaak	Oplossing
Oven kan niet worden gestart.	1) Stroomkabel is niet goed aangesloten.	Trek de stekker uit het stopcontact. Steek de stekker na 10 seconden terug in het stopcontact.
	2) Zekering is gesprongen of de stroomonderbreker is geactiveerd.	Vervang de zekering of reset de stroomonderbreker (gerepareerd door professioneel personeel of ons bedrijf).
	3) Problemen met het stopcontact.	Test het stopcontact met andere elektrische apparaten.
De oven verwarmt niet.	4) De deur is niet goed gesloten.	Sluit de deur goed af.

## Bitte zunächst diese Anleitung lesen!

Werter Kunde,

Danke, dass Sie sich für ein Produkt der Marke Beko entschieden haben. Wir hoffen, dass Sie mit diesem Produkt, das mit den höchsten Qualitätsanforderungen und der modernsten Technologie hergestellt wurde, beste Ergebnisse erzielen. Bitte lesen Sie die gesamte Bedienungsanleitung und alle anderen Begleitdokumente aufmerksam, bevor Sie das Produkt verwenden; bewahren Sie sie zum künftigen Nachschlagen sicher auf. Wenn Sie das Produkt an einen Dritten weitergeben, händigen Sie bitte auch diese Anleitung aus. Befolgen Sie alle Warnhinweise und Informationen in dieser Anleitung.

### Bedeutung der Symbole

Folgende Symbole werden in den verschiedenen Abschnitten dieser Bedienungsanleitung verwendet:



Wichtige Informationen und nützliche Tipps in Bezug auf die Verwendung.



Warnhinweise zu gefährlichen Situationen im Hinblick auf die Sicherheit von Leib, Leben und Eigentum.



Warnung vor heißen Flächen.



Warnung vor Stromschlag.



Warnung vor Brandgefahr.



Dieses Produkt wurde in umweltfreundlichen, modernen Einrichtungen ohne schädliche Auswirkungen auf die Natur hergestellt.

# 1 Wichtige Sicherheits- und Umwelthinweise

**Wichtige Sicherheitshinweise sorgfältig lesen und zum späteren Nachschlagen aufbewahren.**

## 1.1 Sicherheitshinweise

Dieser Abschnitt enthält Sicherheitshinweise zum Schutz vor Feuer, Stromschlag, Exposition gegenüber Leckmikrowellenenergie, Verletzungen oder Sachschäden. Die Nichtbeachtung dieser Sicherheitsvorschriften hat den Verlust der Garantie zur Folge.

- Beko-Mikrowellenöfen entsprechen den geltenden Sicherheitsnormen; daher sollte im Falle einer Beschädigung des Gerätes oder des Netzkabels dieses vom Händler, Servicezentrum oder einem Fachmann und autorisierten Kundendienst gleichermaßen repariert oder ersetzt werden, um jede Gefahr zu vermeiden. Fehlerhafte oder unqualifizierte Reparaturarbeiten können gefährlich sein und ein Risiko für den Benutzer darstellen.
- Dieses Gerät ist ausschließlich zur Verwendung in einem Haushalt und vergleichbaren Einrichtungen gedacht, darunter:
  - Teeküchen für Mitarbeiter in Läden, Büros und vergleichbaren Einrichtungen;
  - In landwirtschaftlicher Familienbetrieben
  - Für Gäste in Hotels, und vergleichbaren Unterkünften;
  - Kleineren Pensionen oder vergleichbaren Einrichtungen.
- Es ist nicht für den gewerblichen Einsatz oder für Laborzwecke gedacht.
- Versuchen Sie nicht, den Ofen bei geöffneter Tür zu starten. Andernfalls können Sie schädlicher Mikrowellenenergie ausgesetzt sein. Sicherheitsschlösser dürfen nicht deaktiviert oder manipuliert werden.

# 1 Wichtige Sicherheits- und Umwelthinweise

- Der Mikrowellenofen ist für die Erwärmung von Lebensmitteln und Getränken vorgesehen. Das Trocknen von Lebensmitteln oder Kleidung und die Erwärmung von Wärmekissen, Hausschuhen, Schwämmen, feuchten Tüchern und Ähnlichem kann zu Verletzungs-, Entzündungs- oder Brandgefahr führen.
- Stellen Sie keine Gegenstände zwischen die Vorderseite und die Ofentür. Lassen Sie keine Schmutz- oder Reinigungsmittelreste auf den Verschlussflächen ansammeln.
- Alle Servicearbeiten, bei denen die Abdeckung entfernt wird, die einen Schutz gegen Mikrowellenenergie bietet, müssen von autorisierten Personen/Serviceleistungen durchgeführt werden. Jeder andere Ansatz ist gefährlich.
- Ihr Produkt ist zum Kochen, Erhitzen und Auftauen von Lebensmitteln zu Hause vorgesehen. Es darf nicht für kommerzielle Zwecke verwendet werden.
- Ihr Ofen ist nicht zum Trocknen von Lebewesen ausgelegt.
- Verwenden Sie Ihr Gerät nicht zum Trocknen von Kleidung oder Küchentüchern.
- Verwenden Sie dieses Gerät nicht im Freien, in Badezimmern, in feuchten Umgebungen oder an Orten, an denen es nass werden kann.
- Es wird keine Verantwortung oder Gewährleistungsanspruch für Schäden übernommen, die durch Missbrauch oder unsachgemäße Handhabung des Geräts entstehen.
- Versuchen Sie niemals, das Gerät zu zerlegen. Für Schäden, die durch unsachgemäße Handhabung verursacht wurden, werden keine Gewährleistungsansprüche anerkannt.
- Verwenden Sie nur Originalteile oder Teile empfohlen von der Hersteller.
- Lassen Sie das Gerät während der Verwendung nicht unbeaufsichtigt.
- Verwenden Sie das Gerät immer auf einer stabilen, flachen, sauberen, trockenen und rutschfesten Oberfläche.

# 1 Wichtige Sicherheits- und Umwelthinweise

- Das Gerät darf nicht mit einer externen Zeitschaltuhr oder einer separaten Fernbedienung betrieben werden.
- Reinigen Sie alle Teile, bevor Sie das Gerät zum ersten Mal verwenden. Bitte beachten Sie die Details im Abschnitt „Reinigung und Wartung“.
- Betreiben Sie das Gerät nur für den vorgesehenen Zweck, wie in diesem Handbuch beschrieben.
- Das Gerät wird während des Betriebs sehr heiß. Achten Sie darauf, die heißen Teile im Ofen nicht zu berühren.
- Die Mikrowelle darf keinesfalls leer betrieben werden.
- Das Kochutensilien kann aufgrund der Wärmeübertragung vom erhitzten Lebensmittel auf das Utensilien heiß werden. Möglicherweise benötigen Sie Ofenhandschuhe, um das Geschirr zu halten.
- Die Utensilien müssen zuvor auf ihre Eignung zur Benutzung in Mikrowellen überprüft werden.
- Stellen Sie den Ofen nicht auf Öfen oder andere wärmeerzeugende Geräte. Andernfalls kann es beschädigt werden und die Garantie erlischt.
- Beim Öffnen der Deckel oder der Folie kann nach dem Kochen des Essens Dampf austreten.
- Das Gerät und seine zugänglichen Oberflächen können sehr heiß sein, wenn das Gerät verwendet wird.
- Tür und Außenglas können sehr heiß sein, wenn das Gerät verwendet wird.
- Stellen Sie sicher, dass Ihre Netzspannung mit den Angaben auf dem Typenschild des Geräts übereinstimmt.
- Die einzige Möglichkeit, das Gerät von der Stromversorgung zu trennen, besteht darin, den Netzstecker aus der Steckdose zu ziehen.
- Verwenden Sie das Gerät nur mit einer geerdeten Steckdose.
- Verwenden Sie das Gerät nicht, wenn das Netzkabel oder das Gerät beschädigt ist.
- Verwenden Sie dieses Gerät nicht mit einem Verlängerungskabel.

# 1 Wichtige Sicherheits- und Umwelthinweise

- Berühren Sie das Gerät oder seinen Stecker niemals mit nassen Händen!
- Das Gerät muss derart aufgestellt werden, dass der Stecker zugänglich ist.
- Verhindern Sie Schäden an der Stromversorgung Kabel durch nicht quetschen, biegen, oder an scharfen Kanten reiben. Halten Sie das Netzkabel von erhitzten Oberflächen und offenen Flammen fern.
- Stellen Sie sicher, dass keine Gefahr besteht, dass das Netzkabel versehentlich gezogen wird oder dass jemand darüber stolpert, wenn das Gerät verwendet wird.
- Ziehen Sie den Netzstecker vor jeder Reinigung und wenn das Gerät nicht in Gebrauch ist.
- Ziehen Sie nicht am Netzkabel des Geräts, um es von der Stromversorgung zu trennen, und wickeln Sie das Netzkabel niemals um das Gerät.
- Tauchen Sie das Gerät, das Netzkabel und den Netzstecker nicht in Wasser oder andere Flüssigkeiten ein. Halten Sie es nicht unter fließendes Wasser.
- Beim Erwärmen von Speisen in Kunststoff-oder Papierbehälter , immer ein Auge auf den Ofen haben um die Möglichkeit einer Zündung zu vermeiden.
- Entfernen Sie die Drahtschnüre und/oder Metallgriffe von Papier- oder Plastiktüten, bevor Sie die Tüten in den Ofen stellen.
- Wenn Rauch beobachtet wird, schalten Sie das Gerät aus oder ziehen Sie den Netzstecker, wenn dies sicher ist, und halten Sie die Tür geschlossen, um Flammen zu ersticken.
- Verwenden Sie Mikrowellen nicht zur Aufbewahrung. Lassen Sie keine Papiergegenstände, Kochmaterialien oder Lebensmittel im Ofen, wenn dieser nicht verwendet wird.
- Der Inhalt von Babyflaschen und Babynahrung sollte gerührt und geschüttelt und die Temperatur sollte vor dem Verzehr geprüft werden, um Verbrennungen zu vermeiden.

# 1 Wichtige Sicherheits- und Umwelthinweise

- Bei diesem Gerät handelt es sich um ein ISM-Gerät der Klasse B, Gruppe 2. Gruppe 2 beinhaltet alle ISM-Geräte (Hochfrequenz-Geräte in Industrie, Wissenschaft, Medizin) und Ausrüstungen, in denen Hochfrequenzenergie in Form von elektromagnetischer Strahlung für die Behandlung von Material gezielt erzeugt und/oder genutzt wird sowie Funkenerodiermaschinen.
  - Ausrüstungen der Klasse B sind für den Einsatz im häuslichen Umfeld und Einrichtung, die zur Stromversorgung direkt an das Niederspannungsnetz angeschlossen sind.
  - Verwenden Sie kein Speiseöl im Ofen. Heißes Öl kann die Komponenten und Materialien des Ofens beschädigen und sogar Hautverbrennungen verursachen.
  - Pierce Essen mit dicker Kruste wie Kartoffeln, Zucchini, Äpfel und Kastanien.
  - Das Gerät muss so aufgestellt werden, dass die Rückseite zur Wand zeigt.
  - Sichern Sie vor dem Bewegen des Geräts den Drehteller, um Beschädigungen zu vermeiden.
  - Rohe Eier sowie ganze hartgekochte Eier sollten nicht im Mikrowellengerät erhitzt werden, da sie selbst nach Ende des Garvorgangs in der Mikrowelle noch platzen könnten.
- WARNUNG:** Wenn die Tür oder die Türdichtungen beschädigt sind, darf der Ofen nicht betrieben werden, bis es von einer kompetenten Person repariert ist.
- WARNUNG:** Für unkompetente Personen besteht die Gefahr einen Service auszuführen oder Reparaturen durchzuführen, die die Entfernung der Abdeckung erfordern, welche den Schutz gegen die Strahlenbelastung der Mikrowellenenergie darstellen.
- WARNUNG:** Flüssigkeiten und andere Lebensmittel dürfen nicht in verschlossenen Behältern aufgewärmt werden, das diese explodieren können.
- Das Mikrowellengerät sollte regelmäßig gereinigt und Lebensmittelreste entfernt werden.



# 1 Wichtige Sicherheits- und Umwelthinweise

- Über der Oberseite des Ofens sollte mindestens 20 cm Freiraum vorhanden sein.
- Überkochen Sie keine Lebensmittel, da Sie sonst einen Brand verursachen können.
- Verwenden Sie zum Reinigen des Geräts keine Chemikalien und dampfunterstützten Reinigungsmittel.
- Bei der Verwendung in der Nähe von Kindern und Personen, deren körperliche, sensorische oder geistige Fähigkeiten eingeschränkt sind, ist äußerste Vorsicht geboten.
- Dieses Gerät kann von Kindern ab 8 Jahren und von Personen mit eingeschränkter körperlicher, sensorischer oder geistiger Leistungsfähigkeit oder ohne Kenntnisse und Erfahrung verwendet werden, sofern sie hinsichtlich der sicheren Verwendung beaufsichtigt werden des Produkts oder sie werden entsprechend instruiert oder verstehen die Risiken der Verwendung des Produkts. Kinder dürfen nicht mit dem Gerät spielen.
- Reinigungs- und Wartungsverfahren für Benutzer sollten nicht von Kindern durchgeführt werden, es sei denn, sie werden von ihren Ältesten kontrolliert.
- **Die Gefahr des Erstickens!** Halten Sie das Verpackungsmaterial von Kindern fern!
- Aufgrund der übermäßigen Hitze, die im Grill- und Kombinationsmodus auftritt, sollten Kinder diese Modi nur unter Aufsicht eines Erwachsenen verwenden dürfen.
- Bewahren Sie das Produkt und das Netzkabel so auf, dass Kinder unter 8 Jahren nicht darauf zugreifen können.
- Kochen Sie das Essen nicht direkt auf der Glasschale. Legen Sie die Lebensmittel in/auf geeignete Küchenutensilien, bevor Sie sie in den Ofen stellen.
- Metallische Behälter für Lebensmittel und Getränke sind während des Mikrowellenkochens nicht erlaubt. Andernfalls kann es zu Funkenbildung kommen.

# 1 Wichtige Sicherheits- und Umwelthinweise

- Der Mikrowellenofen darf nicht in einem Schrank aufgestellt werden, der nicht den Installationsanweisungen entspricht.
- Der Mikrowellenofen ist nur für den eingebauten Gebrauch vorgesehen.
- Wenn eingebaute Geräte mindestens 900 mm über dem Boden verwendet werden, sollte darauf geachtet werden, dass der Drehteller beim Entfernen von Behältern aus dem Gerät nicht verschoben wird.
- Befindet sich das eingebaute Produkt in einem Schrank mit einer Tür, muss das Produkt bei geöffneter Schranktür betrieben werden.

## 1.2 Einhaltung der WEEE-Richtlinie und Entsorgung des Abfallproduktes:

Dieses Gerät entspricht der EU WEEE-Richtlinie (2012/19/EU). Dieses Gerät trägt das Klassifizierungssymbol für Elektro- und Elektronik-Altgeräte (WEEE).



Dieses Symbol zeigt an, dass dieses Produkt am Ende seiner Lebensdauer nicht zusammen mit anderen Haushaltsabfällen entsorgt werden darf. Gebrauchte Geräte müssen zum

Recycling von elektrischen und elektronischen Geräten an einer offiziellen Sammelstelle abgegeben werden.

Um diese Sammelsysteme zu finden, wenden Sie sich bitte an Ihre örtlichen Behörden oder den Händler, bei dem das Produkt gekauft wurde. Jeder Haushalt spielt eine wichtige Rolle bei der Rückgewinnung und dem Recycling von Altgeräten. Die richtige Entsorgung Ihrer Altgeräte hilft, potenziell schädliche Umweltauswirkungen und mögliche Gesundheitsgefahren zu verhindern.

## 1.3 Einhaltung der RoHS-Richtlinie

Das von Ihnen gekaufte Produkt entspricht der EU RoHS Richtlinie (2011/65/EU). Sie enthält keine schädlichen und verbotenen Materialien, die in der Richtlinie aufgeführt sind.

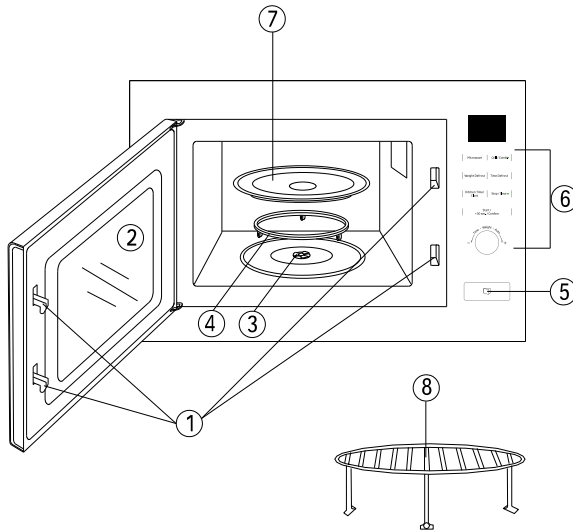
## 1.4 Informationen zum Paket



Die Verpackungsmaterialien des Produkts werden in Übereinstimmung mit unseren nationalen Umweltvorschriften aus wiederverwertbaren Materialien hergestellt. Entsorgen Sie das Verpackungsmaterial nicht zusammen mit dem Hausmüll oder anderen Abfällen. Bringen Sie es zu einer von den örtlichen Behörden eingerichteten Sammelstelle für Verpackungsmaterial.

## 2 Ihr Mikrowellenofen

### 2.1 Übersicht



1. Türsicherheitsverriegelungssystem
2. Mikrowellensichtfenster
3. Drehscheibe Welle
4. Drehtellerstütze
5. Tür-Öffner-Taste
6. Bedienfeld
  - Mikrowelle
  - Grill / Kombi
  - Gewicht Auftauen
  - Zeit Auftauen
  - Küchen-Timeruhr
  - Anhalten/Löschen
  - Start/ +30Sek./Bestätigen
  - Zeit / Gewicht / Auto (Druckknopf)
7. Glasschale
8. Grillrost (Kann nicht in der Mikrowellenfunktion verwendet werden und muss auf die Glasschale gestellt werden)

### 2.2. Technische Daten

<b>Stromverbrauch</b>	230 V~50 Hz, 1270 W (Mikrowelle) 1000 W (Grill)
<b>Ausgang</b>	800 W
<b>Arbeitsfrequenz</b>	2450 Mhz
<b>Außenmaße (Hx Bx T) mm</b>	387x594x333
<b>Ofenkapazität</b>	20 Liter
<b>Eigengewicht</b>	16.5 kg
<b>Farbe</b>	Schwarz

Technische und Design-Änderungsrechte sind vorbehalten.

Markierungen auf dem Gerät oder die Werte in anderen mit dem Produkt gelieferten Dokumenten sind Werte, die unter Laborbedingungen gemäß den einschlägigen Normen erhalten wurden. Diese Werte können je nach der Verwendung des Geräts und den Umgebungsbedingungen variieren. Leistungswerte werden bei 230 V getestet.

## 3 Installation und Anschluss

### 3.1 Installationsanleitung

- Bitte beachten Sie die besonderen Installationsanweisungen.
- Das Gerät kann in einen 60 cm breiten Wandschrank eingebaut werden.
- Das Gerät ist mit einem Stecker ausgestattet und muss nur ordnungsgemäß an eine geerdete Steckdose angeschlossen werden.
- Die Netzspannung muss der Spannungsangabe auf dem Typenschild entsprechen.
- Die Buchse und das Anschlusskabel darf nur von einer Elektrofachkraft ersetzt werden. Wenn der Stecker nach der Installation nicht mehr zugänglich ist, muss ein allpoliger Trennschalter auf der Installationsseite mit einem Kontaktabstand von mindestens 3mm vorhanden sein.

 **WARNUNG:** Adapter, Mehrwegeleisten und Verlängerungskabel dürfen nicht verwendet werden. Eine Überlastung kann Brandgefahr verursachen.

### 3.2 Elektrischer Anschluss

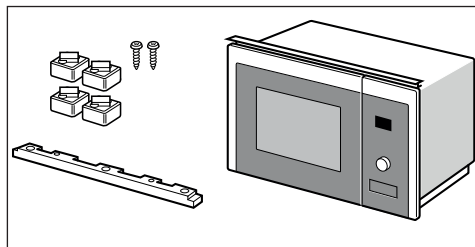
- Das Gerät ist mit einem Stecker ausgestattet und muss nur ordnungsgemäß an eine geerdete Steckdose angeschlossen werden.
- Nur ein qualifizierter Elektriker, der die entsprechenden Vorschriften berücksichtigt, darf die Steckdose installieren oder das Verbindungskabel ersetzen.
- Wenn der Stecker nach der Installation nicht mehr zugänglich ist, muss ein allpoliger Trennschalter auf der Installationsseite mit einem Kontaktabstand von mindestens 3 mm vorhanden sein.
- Der Kontaktschutz muss durch die Installation gewährleistet werden.

### 3.3 Gerät in einem Wandgerät

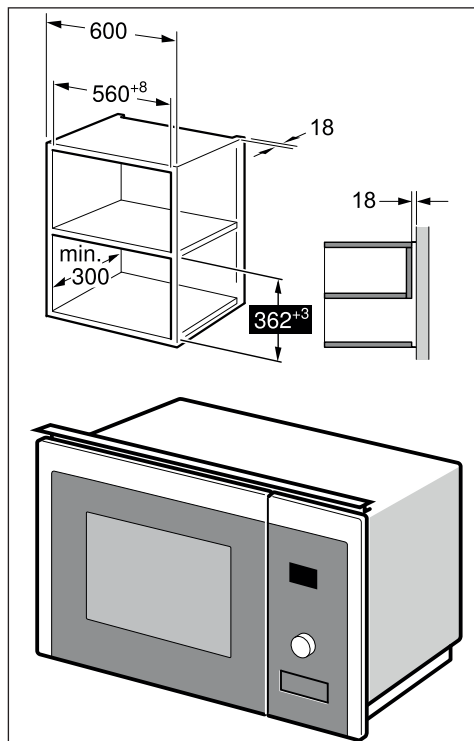
Der Installationsschrank darf keine Rückwand hinter dem Gerät haben.

Minimale Installationshöhe: 850 mm.  
Lüftungsschlitze und Einlässe dürfen nicht abgedeckt werden.

Teile:



#### Gerät in einem Wandgerät



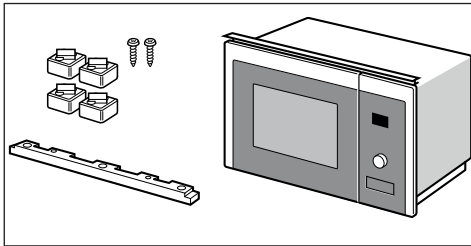
## 3 Installation und Anschluss

### 3.4 Gerät in einer hohen Einheit

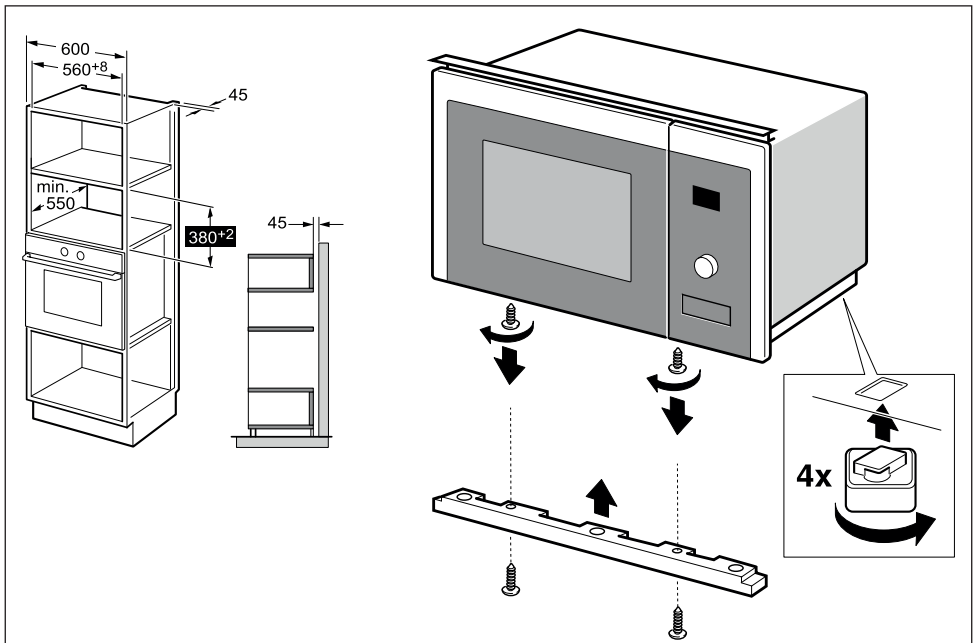
Der Installationsschrank darf keine Rückwand hinter dem Gerät haben.

Minimale Installationshöhe: 850 mm.  
Lüftungsschlitze und Einlässe dürfen nicht abgedeckt werden.

#### Teile;



#### Gerät in einer hohen Einheit

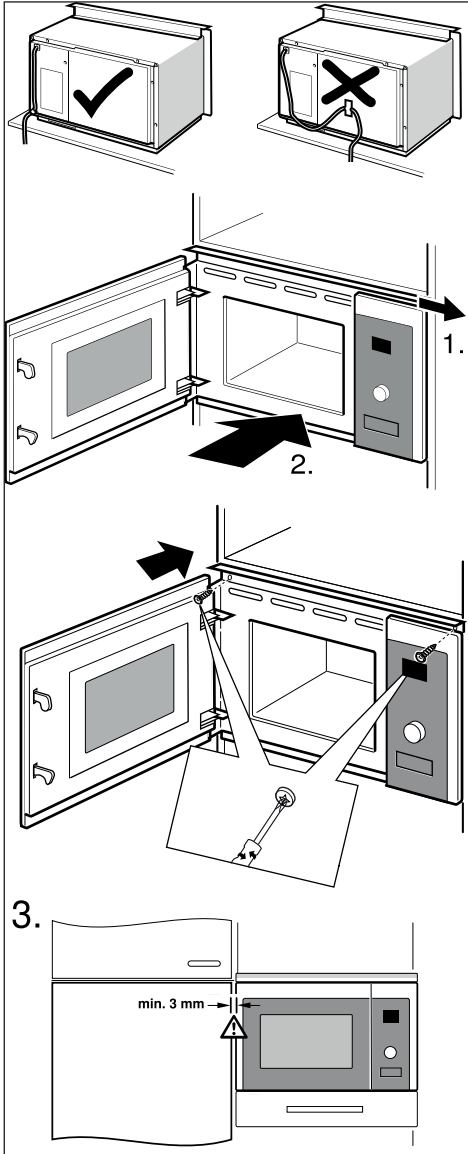


# 3 Installation und Anschluss

## 3.5 Ofen installieren

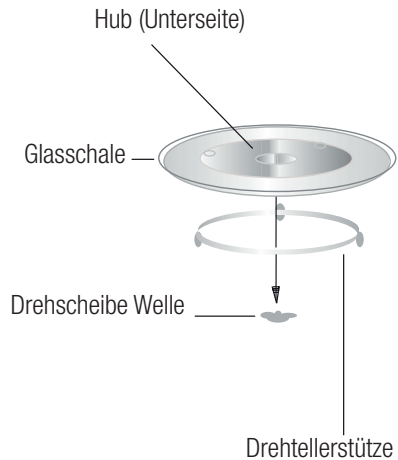


**WARNUNG:** Das Netzkabel nicht einklemmen oder knicken.



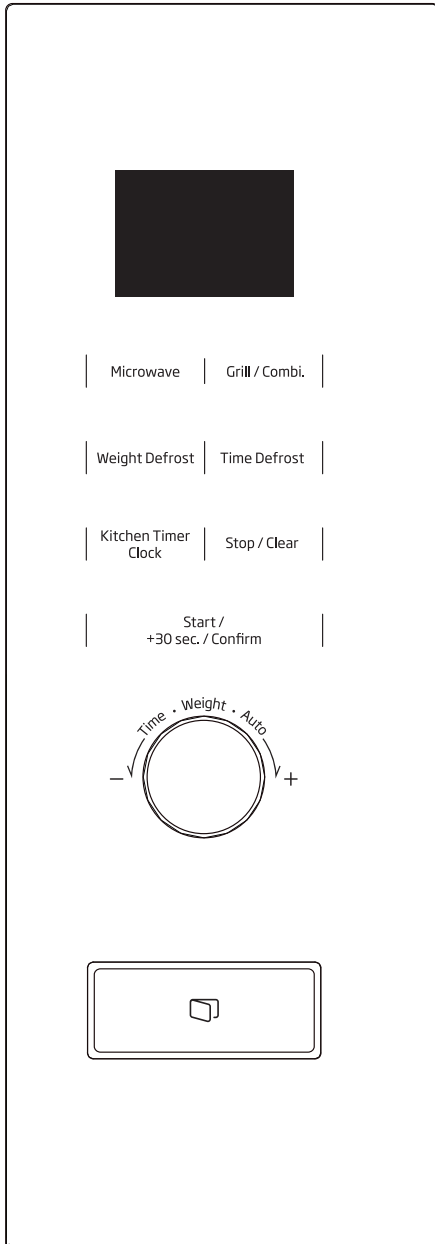
## Installieren des Drehtellers

- Stellen Sie die Glasschale niemals auf den Kopf. Die Glasschale sollte niemals eingeschränkt werden.
- Sowohl die Glasschale als auch die Drehtellerstütze müssen beim Kochen immer verwendet werden.
- Alle Lebensmittel und Lebensmittelbehälter müssen zum Kochen immer auf das Glastablett gestellt.
- Wenn die Glasschale oder Drehtellerstütze Risse oder Brüche aufweist, wenden Sie sich an den nächstgelegenen autorisierten Kundendienst.



# 4 Bedienung

## 4.1 Kontrollfeld



## 4.2 Uhreinstellung

Wenn die Mikrowelle elektrifiziert ist, wird am Ofen "0:00" angezeigt, Summer wird einmal klingeln. Der Ofen geht in den Wartezustand über.

1. Drücken Sie zweimal auf "Kitchen Timer/Clock" und die Zahlen für die Stunden beginnen zu blinken.
2. Drehen Sie "Time / Weight / Auto", um die Stunde einzustellen. Der Eingabewert sollte zwischen 0 und 23 liegen.
3. Drücken Sie "Kitchen Timer/Clock" und die Zahlen für Minuten beginnen zu blinken.
4. Drehen Sie "Time / Weight / Auto", um die Minuten anzupassen. Der Eingabewert sollte zwischen 0 und 59 liegen.
5. Drücken Sie "Kitchen Timer/Clock", um die Einstellung der Uhr zu beenden. Das Symbol ":" blinkt und die Uhrzeit leuchtet auf.



Wenn die Uhr nicht eingestellt ist, wird es nicht funktionieren, da es nicht mit Strom versorgt wird.

## 4.3 Mikrowellenkochen

1. Drücken Sie die Taste "Microwave" einmal, und "P100" wird angezeigt.
2. Drücken Sie erneut "Microwave" oder drehen Sie "Time / Weight / Auto", um die gewünschte Leistung auszuwählen. Jedes Mal, wenn Sie die Taste drücken, werden "P100, P80, P50, P30" oder "P10" angezeigt.
3. Drücken Sie "Start/+30 Sec./Confirm", um die gewünschte Leistung zu bestätigen.
4. Drehen Sie "Time / Weight / Auto", um die Garzeit auf einen Wert zwischen 0:05 und 95:00 einzustellen.
5. Drücken Sie erneut "Start/+30 Sec./Confirm", um mit dem Kochen zu beginnen.
6. Die Zeit auf dem Bildschirm beginnt herunterzuzählen.

# 4 Bedienung

7. Der Signalton ist nach Abschluss des Vorgangs zu hören.

Die Schritte zum Einstellen der Zeit in der Codierungstaste sind wie folgt:

Dauer einstellen	Erhöhungsbetrag
0-1 Minuten	5 Sekunden
1-5 Minuten	10 Sekunden
5-10 Minuten	30 Sekunden
10-30 Minuten	1 Minute
30-95 Minuten	5 Minuten

## Mikrowelle Leistungstabelle

Mikrowellenleistung	Hoch	Mittelhoch	Mittel	Mittelniedrig	Niedrig
Anzeige	P100	P80	P50	P30	P10

### 4.4 Grill oder Kombi Kochvorgang

1. Drücken Sie einmal auf „Grill/Kombi“. Auf dem Bildschirm wird „G“ angezeigt.
2. Drücken Sie wiederholt oder drehen Sie „Time / Weight / Auto“, um die gewünschte Leistung auszuwählen. Daraufhin werden „G“, „C-1“ oder „C-2“ angezeigt.
3. Drücken Sie „Start/+30 Sec./Confirm“, um die Leistung zu bestätigen.
4. Drehen Sie „Time / Weight / Auto“, um die Garzeit einzustellen. (Die max. Garzeit ist 95 Minuten)
5. Drücken Sie erneut „Start/+30 Sec./Confirm“, um mit dem Kochen zu beginnen.
6. Die Zeit auf dem Bildschirm beginnt herunterzuzählen.
7. Der Signalton ist nach Abschluss des Vorgangs zu hören.

## Anweisungen zur Kombinationsleistung

Programm	Anzeige	Mikrowellenleistung	Grillleistung
Grillen	G	0%	100%
Kombi.1	C-1	55%	45%
Kombi.2	C-2	36%	64%



Falls die Hälfte der Grillzeit vorbei ist, ertönt der Ofen zweimal und das ist normal. Um bessere Resultate bei den Grillspeisen zu erzielen, sollten Sie die Speisen drehen, schließen Sie die Tür und dann „Start/+30 Sec./Confirm“, um den Garvorgang fortzusetzen. Falls kein Betrieb, wird der Backofen weiterlaufen.

### 4.5 Auftauen nach Gewicht

1. Einmal „Weight / Defrost“ drücken, der Bildschirm wird „dEF1“ anzeigen.
2. Drehen Sie „Time / Weight / Auto“, um das Lebensmittelgewicht einzustellen. Der Gewichtsbereich liegt zwischen 100-2000g.
3. Drücken Sie „Start/+30 Sec./Confirm“ um den Auftauvorgang zu starten.
4. Die Zeit auf dem Bildschirm beginnt herunterzuzählen.
5. Der Signalton ist nach Abschluss des Vorgangs zu hören.



Falls die Hälfte der Auftauzeit vorbei ist, ertönt der Ofen zweimal und das ist normal. Um bessere Resultate bei den Auftauen zu erzielen, sollten Sie die Speisen drehen, schließen Sie die Tür und dann „Start/+30Sec./Confirm“, um den Garvorgang fortzusetzen. Falls kein Betrieb, wird der Backofen weiterlaufen.



## 4 Bedienung

### 4.6 Auftauen nach Zeit

1. Einmal "Time Defrost" drücken, der Bildschirm wird „dEF2“ anzeigen.
2. Drehen Sie "Time / Weight / Auto", um die Garzeit einzustellen. Die maximale Zeit ist 95 Minuten.
3. Drücken Sie "Start/+30 Sec./Confirm" um den Auftauvorgang zu starten.
4. Die Zeit auf dem Bildschirm beginnt herunterzuzählen.
5. Der Signalton ist nach Abschluss des Vorgangs zu hören.



Falls die Hälfte der Auftauzeit vorbei ist, ertönt der Ofen zweimal und das ist normal. Um bessere Resultate bei den Auftauen zu erzielen, sollten Sie die Speisen drehen, schließen Sie die Tür und dann "Start/+30 Sec./Confirm", um den Garvorgang fortzusetzen. Falls kein Betrieb, wird der Backofen weiterlaufen.

### 4.7 Mehrstufiges Kochen

Es können maximal 2 Stufen eingestellt werden. Wenn eine Stufe abtaut, sollte sie automatisch in die erste Stufe versetzt werden. Der Summer wird nach jeder Phase einmal klingeln und die nächste Phase beginnt.



Das Auto-Menü und schnelles Garen können nicht als mehrstufig eingestellt werden.

**Beispiel:** Wenn Sie das Essen für 5 Minuten auftauen möchten, dann mit 80% Mikrowellenleistung für 7 Minuten kochen.

#### Die Schritte sind wie folgt:

1. Einmal "Time Defrost" drücken, der Bildschirm wird "dEF2" anzeigen.
2. Drehen Sie "Time / Weight / Auto", um die Abtauzeit von 5 Minuten einzustellen.

3. Einmal "Mikrowelle" drücken, der Bildschirm wird "P100" anzeigen.
4. Drücken Sie wiederholt "Microwave" um Mikrowellenleistung zu wählen bis "P80" angezeigt wird;
5. Drücken Sie "Start/+30 Sec./Confirm" zur Bestätigung.
6. Drehen Sie "Time / Weight / Auto", um die Garzeit von 7 Minuten einzustellen.
7. Drücken Sie "Start/+30 Sec./Confirm", um mit dem Kochen zu beginnen.
8. Der Signalton ist nach Abschluss des Vorgangs zu hören.

### 4.8 Küchentimer

1. Einmal "Kitchen Timer/Clock" drücken, auf dem Bildschirm wird 00:00 angezeigt.
2. Drehen Sie "Time / Weight / Auto", um den korrekten Timer einzugeben. (Die max. Garzeit ist 95 Minuten)
3. Drücken Sie "Start/+30 Sec./Confirm" zur Bestätigung.
4. Die Zeit auf dem Bildschirm beginnt herunterzuzählen.
5. Der Signalton ist nach Abschluss des Vorgangs zu hören.

### 4.9 Auto-Menü

1. Drehen Sie im Wartezustand "Time / Weight / Auto" nach rechts, um das Menü auszuwählen. Der Bildschirm zeigt "A 1" an.
2. Drehen Sie "Time / Weight / Auto", um das gewünschte Menü auszuwählen. "A 1" bis "A 8" werden angezeigt.
3. Drücken Sie "Start/+30Sec./Confirm", um das Menü zu bestätigen.
4. Drehen Sie "Time / Weight / Auto", um das Lebensmittelgewicht zu wählen.
5. Drücken Sie erneut "Start/+30 Sec./Confirm", um mit dem Kochen zu beginnen.

## 4 Bedienung

- Die Zeit auf dem Bildschirm beginnt herunterzuzählen.
- Der Signalton ist nach Abschluss des Vorgangs zu hören.


### Das Menü-Diagramm:

Menü	Gewicht	Leistung
A 1 - Pizza	200 g	100%(Mik.)
	400 g	
A 2 - Fleisch	250 g	100%(Mik.)
	350 g	
	450 g	
A 3 - Gemüse	200 g	100%(Mik.)
	300 g	
	400 g	
A 4 - Pasta	50g (mit 450g kaltem Wasser)	80%(Mik.)
	100g (mit 800g kaltem Wasser)	
A 5 - Kartoffel	200 g	100%(Mik.)
	400 g	
	600 g	
A 6 - Fisch	250 g	80%(Mik.)
	350 g	
	450 g	
A 7 - Getränke	1 Tasse (ca. 120 ml)	100%(Mik.)
	2 Tassen (ca. 240 ml)	
	3 Tassen (ca. 360 ml)	
A 8 - Popcorn	50 g	100%(Mik.)
	100 g	

### 4.10 Schnelles Garen

- Drücken Sie im Wartezustand "Start/+30Sec./Confirm"-Taste, um mit 100% Leistung für 30 Sekunden zu kochen. Jedes Drücken der gleichen Taste wird die um 30 Sekunden erhöhen. Die max. Garzeit ist 95 Minuten.
- Drücken Sie während der Mikrowelle, des Grills, des kombinierten Garens und des zeitlichen Auftauvorgangs "Start/+30Sec./Confirm", um die Garzeit zu verlängern.
- In den Zuständen Auto-Menü und Abtauen nach Gewicht kann die Garzeit nicht durch Drücken von "Start/+30Sec./Confirm" verlängert werden.
- Drehen Sie im Wartezustand "Time / Weight / Auto" nach links, um die Garzeit auszuwählen. Drücken Sie nach dem Einstellen der Garzeit auf "Start/+30Sec./Confirm", um den Mikrowellenkochvorgang mit 100% Leistung zu starten.

### 4.11 Verriegelungsfunktion für Kinder

**Verriegelung:** Drücken Sie im Wartezustand 3 Sekunden lang auf "STOP/Clear", um in den Kindersperstatus zu wechseln und die aktuelle Uhrzeit wird angezeigt, wenn die Uhrzeit eingestellt wurde. Andernfalls wird auf dem Bildschirm „“ angezeigt.

**Verlassen der Sperrung:** Drücken Sie im verriegelten Zustand 3 Sekunden lang "STOP/Clear", die Sperre wird aufgehoben.

### 4.12 Abfragefunktion

- Im Kochstatus der Mikrowelle oder des Grills und der Kombination. Drücken Sie "Microwave" oder "Grill / Combi", die aktuelle Leistung wird 3 Sekunden lang angezeigt.

## 4 Bedienung

---

2. Wenn die Uhr eingestellt wurde, drücken Sie während des Garvorgangs "Kitchen Timer/Clock", um die aktuelle Uhrzeit zu überprüfen. Es wird für 3 Sekunden angezeigt.

### 4.13 Spezifikation

1. Wenn die Tür während des Garvorgangs geöffnet wird, schließen Sie die Tür und drücken Sie dann "Start/+30Sec./Confirm", um den Garvorgang fortzusetzen.
2. Wenn einmal das Kochprogramm eingestellt ist, wird "Start/+30 Sec./Confirm" für 1 Minuten nicht gedrückt. Die aktuelle Zeit wird angezeigt. Die Einstellung wird gelöscht.
3. Der Summer ertönt einmal durch effizientes Drücken, ineffizientes Drücken reagiert nicht.

## 5 Kochtipps

Die folgenden Faktoren können das Garergebnis beeinflussen:

### **Essensarrangement**

Legen Sie dickere Bereiche nach außen, den dünneren Teil zur Mitte und verteilen Sie ihn gleichmäßig. Wenn möglich nicht überlappen.

### **Kochzeitdauer**

Beginnen Sie mit dem Kochen mit einer kurzen Zeiteinstellung, bewerten Sie es nach Ablauf der Zeit und erweitern Sie es entsprechend dem tatsächlichen Bedarf. Übermäßiges Kochen kann zu Rauch und Verbrennungen führen.

### **Essen gleichmäßig kochen**

Lebensmittel wie Hähnchen, Hamburger oder Steak sollten während des Kochens einmal gewendet werden.

Je nach Art des Lebensmittels, falls zutreffend, während des Kochens ein- oder zweimal von außen in die Mitte des Gerichts rühren

### **Stehzeit einplanen**

Lassen Sie die Speisen nach Ablauf der Garzeit ausreichend lange im Ofen. Dadurch kann der Garzyklus abgeschlossen und schrittweise abgekühlt werden

### **Ob das Essen fertig ist**

Farbe und Härte von Lebensmitteln helfen zu bestimmen, ob sie fertig sind. Diese beinhalten:

- Aus allen Teilen des Lebensmittels tritt Dampf aus, nicht nur vom Rand
- Geflügelfugen können leicht bewegt werden
- Schweinefleisch oder Geflügel zeigen keine Anzeichen von Blut
- Fisch ist undurchsichtig und kann leicht mit einer Gabel geschnitten werden

### **Bräunungsschale**

Wenn Sie eine Bräunungsschale oder einen selbstheizenden Behälter verwenden, legen Sie immer einen hitzebeständigen Isolator wie eine Porzellanplatte darunter, um eine Beschädigung des Drehtellers und des Drehrings zu vermeiden.

### **Mikrowellengeeignete Plastikfolie**

Lassen Sie beim Kochen von Lebensmitteln mit hohem Fettgehalt nicht zu, dass die Plastikfolie mit Lebensmitteln in Kontakt kommt, da diese schmelzen können

### **Mikrowellengeeignetes Plastikgeschirr**

Einige mikrowellengeeignete Plastikgeschirrtile sind möglicherweise nicht zum Kochen von Lebensmitteln mit hohem Fett- und Zuckergehalt geeignet. Auch die in der Bedienungsanleitung angegebene Vorheizzeit darf nicht überschritten werden.

## 6 Utensilienrichtlinie

### 6.1 Materialien, die Sie in der Mikrowelle verwenden können oder die in der Mikrowelle gemieden werden sollen.



Gefahr von Personenschäden Für unkompetente Personen besteht die Gefahr einen Service auszuführen oder Reparaturen durchzuführen, die die Entfernung der Abdeckung erfordern, welche den Schutz gegen die Strahlenbelastung der Mikrowellenenergie darstellen.

Siehe die Anweisungen unter „Materialien, die Sie in der Mikrowelle verwenden können oder die in der Mikrowelle gemieden werden sollen.“ Es gibt bestimmte nicht-metallische Utensilien, die nicht sicher in der Mikrowelle verwendet werden können. Wenn Sie Zweifel haben, können Sie das Utensil nach dem folgenden Verfahren testen.

#### Utensil-Test:

1. Füllen Sie einen mikrowellen-geeigneten Behälter zusammen mit dem betroffenen Utensil mit 1 Tasse kaltem Wasser (250 ml).
2. Kochen Sie mit max. Leistung für 1 Minute.
3. Fühlen Sie vorsichtig das Utensil. Falls das leere Utensil warm ist, verwenden Sie es nicht für das Kochen mit Mikrowelle.
4. Kochzeit nicht länger als 1 Minute.

#### Materialien, die Sie in der Mikrowelle verwenden können

Utensilien	Bemerkungen
Alufolie	Nur Schirmung. Kleine glatten Stücke verwenden, um dünne Teile von Fleisch oder Geflügel vom Überkochen zu schützen. Lichtbogenbildung ist möglich wenn es zu nah an der Ofenwand ist. Das Folio sollte min. 1 Zoll (2.5 cm) von den Ofenwänden entfernt sein.
Bräunungsschale	Beachten Sie die Herstelleranweisungen. Der Boden des Bräunungsgeschirrs muss mindestens 3/16 Zoll (5 mm) über dem Drehteller sein. Bei falscher Anwendung kann der Plattenteller zu brechen.
Geschirr	Nur für Mikrowellen geeignet. Beachten Sie die Herstelleranweisungen. Folgen Sie die Anweisungen des Herstellers.
Gläser	Entfernen Sie immer den Deckel. Verwenden Sie nur Lebensmittel zum erhitzen, bis diese warm sind. Die meisten Glasbehälter sind nicht hitzebeständig und können brechen.
Glasware	Nur hitzebeständige Ofen-Glasware. Stellen Sie sicher, dass es keinen Metallrand hat. Folgen Sie die Anweisungen des Herstellers.
Backofen-Beutel	Beachten Sie die Herstelleranweisungen. Nicht mit Metallbindungen schließen. Schlitzte anbringen, damit der Dampf entweichen kann.
Papierteller und -Tassen	Verwenden Sie für das kurzfristige Kochen/nur aufwärmen. Lassen Sie den Backofen während dem Kochen nicht unbeaufsichtigt.
Papiertücher	Verwenden Sie diese, um Lebensmittel abzudecken für erneutes Aufwärmen und Fett zu absorbieren. Verwenden Sie nur mit Aufsicht für ein kurzfristiges Kochen.

## 6 Utensilienrichtlinie

Pergamentpapier	Verwenden Sie als Deckel, um Spritzer zu vermeiden oder Verpackung zum Dämpfen
Plastik	Nur für Mikrowellen geeignet. Beachten Sie die Herstelleranweisungen. Sollte mit „Mikrowellensicher“ gekennzeichnet werden. Einige Kunststoffbehälter erweichen, da die Speisen im Inneren heiß werden. „Kochtaschen“ und dicht geschlossene Plastiktüten sollten geschlitzt, durchbohrt oder belüftet werden wie auf dem Paket angewiesen.
Plastikhüllen	Nur für Mikrowellen geeignet. Verwenden Sie um Lebensmittel während des Kochens abzudecken, um Feuchtigkeit zu speichern. Lassen Sie Plastikfolien die Lebensmittel nicht berühren.
Thermometer	Nur mikrowellengeeignet (Fleisch und Zuckerthermometer).
Wachspapier	Verwenden Sie als Deckel, um Verspritzen zu verhindern und Feuchtigkeit zu erhalten.
<b>Materialien, die Sie nicht in der Mikrowelle verwenden dürfen</b>	
Aluminiumschale	Lichtbogenbildung ist möglich. Übertragen der Nahrung in mikrowellengeeignete Schüssel.
Nahrungskarton mit Metallgriff	Lichtbogenbildung ist möglich. Übertragen der Nahrung in mikrowellengeeignete Schüssel.
Metall oder metallbeschneidene Utensilien	Metall schirmt die Speisen von der Mikrowellenenergie. Metallbeschläge können Lichtbögen verursachen.
Metall-Drehbinder	Kann zur Lichtbogenbildung führen und ein Feuer im Ofen verursachen.
Papierbeutel	Kann Feuer im Ofen verursachen.
Kunststoffschaum	Kunststoffschaum kann schmelzen oder Flüssigkeiten im Inneren verunreinigen, wenn sie hohen Temperaturen ausgesetzt wird.
Holz	Holz wird austrocknen, wenn sie in der Mikrowelle verwendet wird und kann zu Spalt- und Rissbildungen führen.

# 7 Reinigung und Wartung

## 7.1 Reinigung



**WARNUNG:** Reinigen Sie das Gerät niemals mit Benzin, Lösungsmitteln, Scheuermitteln, Metallgegenständen, harten Bürsten oder ähnlichen Hilfsmitteln.



**WARNUNG:** Tauchen Sie weder das Gerät noch sein Netzkabel in Wasser oder andere Flüssigkeiten.

1. Gerät ausschalten und Netzstecker aus der Steckdose ziehen.
2. Warten, bis das Gerät vollständig abgekühlt ist.
3. Innenseite des Gerätes sauber halten. Mit einem feuchten Tuch abwischen, falls verschüttete Lebensmittel oder Flüssigkeiten an den Innenwänden haften. Bei einem stark verschmutzten Gerät kann ein mildes Reinigungsmittel verwendet werden. Keine Sprays und anderen aggressiven Reinigungsmittel verwenden, da diese Flecken hinterlassen und die Türfläche stumpf werden lassen können.
4. Die Außenflächen des Gerätes müssen mit einem feuchten Tuch gereinigt werden. Dabei darauf achten, dass kein Wasser in die Belüftungsöffnungen gelangt; andernfalls können interne Komponenten beschädigt werden.
5. Beide Seiten von Tür und Glas, Türdichtungen und Teile in der Nähe der Dichtungen zur Beseitigung von Lebensmittelresten regelmäßig mit einem feuchten Tuch abwischen. Keine Scheuermittel verwenden.
6. Darauf achten, dass das Bedienfeld nicht feucht wird. Mit einem weichen, angefeuchteten Tuch reinigen. Gerätetür zur Vermeidung eines unbeabsichtigten Einschaltens während der Reinigung des Bedienfeldes offen lassen.
7. Falls sich Dampf in und um die Gerätetür ansammelt, diese mit einem weichen Tuch abwischen. Dies kann geschehen, wenn der Mikrowellenherd bei hoher Luftfeuchtigkeit verwendet wird. Dies ist normal.
8. In einigen Fällen müssen Sie zur Reinigung den Glasteller herausnehmen. Teller in warmem Seifenwasser oder einem Geschirrspüler reinigen.
9. Walzenring und Geräteboden sollten zur Vermeidung übermäßiger Geräuschemission regelmäßig gereinigt werden.
10. Es genügt, die Unterseite des Gerätes mit einem milden Reiniger abzuwischen. Walzenring in warmem Seifenwasser oder einem Geschirrspüler reinigen. Wenn Sie den Walzenring zur Reinigung vom Boden im Geräteinneren entfernen, müssen Sie darauf achten, ihn wieder an der richtigen Position anzubringen.
11. Zur Beseitigung schlechter Gerüche in Ihrem Gerät eine tiefe mikrowellengeeignete Schüssel mit Wasser und einer aufgeschnittenen Zitrone in das Gerät stellen und den Mikrowellenherd 5 Minuten lang im Mikrowellenmodus betreiben. Gründlich abwischen und mit einem weichen Tuch abtrocknen.
12. Bitte wenden Sie sich an den autorisierten Kundendienst, wenn die Beleuchtung ersetzt werden muss.
13. Das Gerät sollte regelmäßig gereinigt und von jeglichen Lebensmittelresten befreit werden. Falls das Gerät nicht sauber gehalten wird, können Oberflächendefekte auftreten, welche die Produktlebenszeit negativ beeinträchtigen und mögliche Risiken bergen können.
14. Bitte entsorgen Sie dieses Gerät nicht mit dem Hausmüll; Altgeräte müssen bei speziellen von der Stadtverwaltung bereitgestellten Sammelstellen abgegeben werden.
15. Wenn der Mikrowellenherd in der Grillfunktion genutzt wird, können etwas Rauch und Gerüche entstehen, die nach einiger Zeit im Betrieb verschwinden.

# 7 Reinigung und Wartung

## 7.2 Lagerung

- Lagern Sie das Gerät sorgfältig, wenn Sie es längere Zeit nicht benutzen sollten.
- Sorgen Sie dafür, dass das Gerät vom Stromnetz getrennt, gänzlich abgekühlt und trocken ist.
- Lagern Sie das Gerät an einem kühlen, trockenen Ort.
- Halten Sie das Gerät von Kindern fern.

## 7.3 Handhabung und Transport

- Tragen Sie das Gerät während der Handhabung und des Transports in der Originalverpackung.
- Die Verpackung des Geräts schützt es vor physischen Schäden.
- Legen Sie keine schweren Lasten auf das Gerät oder auf die Verpackung. Das Gerät kann beschädigt werden.

# 8 Fehlerbehebung

Normal	
Mikrowellenherd verursacht Störungen des Fernsehempfangs	Der Radio- und Fernsehempfang kann durch den Betrieb des Mikrowellenherdes gestört werden. Dies ähnelt den Störungen, die durch kleine Elektrogeräte, wie Mixer, Staubsauger und Ventilatoren, verursacht werden. Dies ist normal.
Die Beleuchtung verdunkelt sich	Arbeitet der Mikrowellenherd mit geringer Leistung, kann sich die Beleuchtung verdunkeln. Dies ist normal.
Dampf sammelt sich an der Tür, heiße Luft kommt aus den Belüftungsöffnungen.	Während des Garens kann Dampf von den Lebensmitteln aufsteigen. Ein Großteil dieses Dampfes tritt aus den Belüftungsöffnungen aus. Etwas Dampf kann sich jedoch auch an einer kühlen Stelle, wie z. B. der Tür, ansammeln. Dies ist normal.
Gerät versehentlich im Leerzustand gestartet.	Das Gerät darf nicht im Leerzustand (ohne Lebensmittel) betrieben werden. Das ist sehr gefährlich.

Problem	Mögliche Ursache	Lösung
Das Gerät kann nicht gestartet werden.	1) Das Netzkabel ist nicht richtig angeschlossen.	Netzstecker ziehen. Nach 10 Sekunden wieder anschließen.
	2) Sicherung ist durchgebrannt oder Schutzschalter hat ausgelöst.	Sicherung ersetzen oder Schutzschalter rücksetzen (durch professionelles Personal unseres Unternehmens ersetzen lassen).
	3) Problem mit der Steckdose.	Steckdose mit anderen Elektrogeräten testen.
Das Gerät erhitzt sich nicht.	4) Die Tür ist nicht richtig geschlossen.	Tür richtig schließen.



Vertriebsniederlassung Österreich für Beko Kleingeräte:

Elektra Bregenz AG  
Pfarrgasse 77  
A-1230, Wien



<http://at.beko.com/>

Sehr geehrter Kunde!

Vielen Dank, dass Sie sich für ein Qualitätsprodukt von Beko entschieden haben!

Unsere Geräte werden nach den neuesten technischen Erkenntnissen entwickelt, produziert und geprüft.

Sollte trotzdem eine Störung auftreten, so bitten wir Sie, sich mit Ihrem **Fachhändler** bzw. mit der Verkaufsstelle in Verbindung zu setzen.

Gewährleistungsansprüche können **nicht direkt bei Beko** geltend gemacht werden! Behalten Sie deshalb immer Ihre Verkaufsquittung als Beleg.

Wir danken Ihnen, für Ihr Vertrauen und wünschen Ihnen viel Freude mit Ihrem neuen Produkt!

## Nejprve si tento návod přečtěte!

Vážený zákazníku,

Děkujeme, že jste si vybrali produkt značky Beko. Doufáme, že s tímto produktem, který byl vyroben s využitím vysoce kvalitní a moderní technologie, dosáhnete těch nejlepších výsledků. Proto si před použitím produktu pečlivě přečtěte celý návod k použití a jakékoli doplňující dokumenty a uchovejte je pro budoucí použití. Pokud produkt předáte další osobě, rovněž jí předejte návod k použití. Dodržte veškerá varování a informace obsažené v návodu k použití.

### Význam symbolů

V různých částech tohoto návodu k použití jsou použity následující symboly:



Důležité informace o užitečných tipech k použití.



Upozornění na nebezpečné situace týkající se ohrožení života a majetku.



Upozornění na horké povrchy.



Varování před úrazem elektrickým proudem.



Varování před nebezpečím požáru.



Tento produkt byl vyroben v ekologicky šetrných a moderních zařízeních bez poškození přírody.

# 1 Důležité bezpečnostní a ekologické pokyny

## Důležité bezpečnostní pokyny Pečlivě přečtěte a uschovejte pro budoucí použití

### 1.1 Bezpečnostní varování

Tato část obsahuje bezpečnostní pokyny, které vám pomohou chránit se před rizikem požáru, úrazu elektrickým proudem, vystavení úniku mikrovlnné energie, zranění osob nebo škod na majetku. Nedodržení těchto pokynů má za následek neplatnost záruky.

- Mikrovlnné trouby Beko splňují příslušné bezpečnostní normy. V případě jakéhokoli poškození spotřebiče nebo napájecího kabelu je třeba svěřit opravu nebo výměnu prodejci, servisnímu středisku nebo odborníkovi a autorizovanému servisu, aby se zabránilo jakémukoli nebezpečí. Nesprávná nebo nekvalifikovaná oprava může být nebezpečná a představuje riziko pro uživatele.
- Toto zařízení je určeno pro použití v domácnosti a v podobných podmínkách, jako jsou například:
  - Kuchyně pro zaměstnance v obchodech, kancelářích a jiných pracovních prostředích
  - Domy na farmách
  - Pro potřeby zákazníků v hotelech a jiných typech ubytovacích zařízení;
  - V ubytovnách a hostelech.
- Výrobek není určen pro průmyslové nebo laboratorní použití.
- Nepokoušejte se troubu spustit, když jsou její dvířka otevřená; jinak byste mohli být vystaveni škodlivé mikrovlnné energii. Bezpečnostní zámky nevyražujte, ani s nimi neoprávněně nemanipulujte.
- Mikrovlnná trouba je určena k ohřevu jídel a nápojů. Sušení jídla nebo oděvů a ohřívání ohřívacích podložek, pantoflí, houbiček, vlhkých hadříků apod. může vyvolat riziko zranění, vznícení nebo požáru.
- Mezi přední stranu a dvířka trouby nevkládejte žádné předměty. Dbejte na to, aby se na uzavíracích plochách nehromadily zbytky nečistot nebo čisticích prostředků.

# 1 Důležité bezpečnostní a ekologické pokyny

- Jakékoli servisní práce zahrnující odstranění krytu, který poskytuje ochranu před vystavením mikrovlnné energii, musí provádět autorizované osoby nebo servis. Jakýkoli jiný přístup je nebezpečný.
- Váš výrobek je určen k vaření, ohřívání a rozmrazování potravin v domácnosti. Nesmí se používat ke komerčním účelům.
- Vaše trouba není určena k sušení jakýchkoli živých bytostí.
- Nepoužívejte váš spotřebič k sušení oděvů ani kuchyňských utěrek.
- Nepoužívejte tento spotřebič venku, v koupelně, ve vlhkém prostředí ani na místech, kde by se mohl namočit.
- Za škody vzniklé v důsledku nesprávného použití nebo nesprávného zacházení se zařízením neneseme žádnou odpovědnost ani neposkytujeme záruku.
- Nikdy se nepokoušejte spotřebič demontovat. Za škody způsobené nesprávnou manipulací se neakceptují žádné nároky na záruku.
- Používejte pouze originální díly nebo části doporučené výrobcem.
- Pokud je spotřebič v provozu, nechte jej bez dozoru.
- Spotřebič používejte vždy na stabilním, rovném, čistém, suchém a neklouzavém povrchu.
- Spotřebič by se neměl ovládat externím časovačem nebo samostatným systémem dálkového ovládání.
- Před prvním použitím spotřebiče očistěte všechny součásti. Přečtěte si podrobnosti uvedené v části „Čištění a údržba“.
- Provozujte spotřebič pouze pro účely, ke kterým je určen, jak je popsáno v tomto návodu.
- Spotřebič se během používání velmi zahřívá. Dbejte na opatrnost, abyste se nedotýkali horkých částí uvnitř trouby.
- Nepoužívejte troubu prázdnou.
- Kuchyňské nádobí se může zahřát přenosem tepla z ohřátých potravin na nádobí. Na uchopení nádobí možná budete potřebovat kuchyňské chňapky.
- Nádobí je třeba zkontrolovat, zda je vhodné pro použití v mikrovlnných troubách.

# 1 Důležité bezpečnostní a ekologické pokyny

- Nepokládejte troubu na kamna ani na jiná zařízení vytvářející teplo. Jinak může dojít k poškození a ztrátě záruky.
- Po otevření pokrmů nebo fólie může po vaření z jídla vycházet pára.
- Spotřebič a jeho přístupné povrchy mohou být při používání velmi horké.
- Dvířka a vnější sklo mohou být při používání spotřebiče velmi horké.
- Ujistěte se, že vaše síťové napájení odpovídá údajům uvedeným na typovém štítku spotřebiče.
- Jediný způsob, jak odpojit spotřebič od napájení, je vytáhnout zástrčku ze zásuvky.
- Spotřebič používejte pouze s uzemněnou zásuvkou.
- Nikdy nepoužívejte tento spotřebič, pokud je napájecí kabel nebo samotný spotřebič poškozen.
- Nepoužívejte tento spotřebič s prodlužovacím kabelem.
- Nikdy se nedotýkejte spotřebiče ani jeho zástrčky vlhkýma nebo mokřýma rukama.
- Umístěte spotřebič tak, aby zástrčka byla vždy přístupná.
- Chcete-li zabránit poškození napájecího kabelu, nedovolte aby došlo k jeho sevření, ohnutí nebo odírání na ostrých hranách. Udržujte napájecí kabel mimo dosah horkých povrchů a otevřeného ohně.
- Zamezte riziku náhodného vytažení napájecího kabelu nebo zakopnutí o napájecí kabel při používání spotřebiče.
- Před každým čištěním a pokud se spotřebič nepoužívá, jej odpojte ze zásuvky.
- Při odpojování zařízení od zdroje napájení netahejte za napájecí kabel, a nikdy kabel neomotávejte kolem zařízení.
- Neponořujte zařízení, napájecí kabel ani zástrčku do vody ani do jiných tekutin. Nedržte kabel pod tekoucí vodou.
- Při ohřívání potravin v plastových nebo papírových nádobách dávejte pozor na troubu kvůli riziku vznícení.
- Před vložením sáčků do trouby odstraňte drátěné šňůry a / nebo kovové úchyty papírových nebo plastových sáčků.

# 1 Důležité bezpečnostní a ekologické pokyny

- Pokud vidíte kouř, vypněte nebo odpojte spotřebič, pokud je to bezpečné, a nechte dvířka zavřená, aby se udusily případné plameny.
  - Nepoužívejte mikrovlnnou troubu ke skladování. Když troubu nepoužíváte, nenechávejte v ní papírové předměty, kuchyňský materiál ani jídlo.
  - Obsah krabic lahví a nádob s dětskou výživou je třeba před konzumací promíchat nebo protřepat a zkontrolovat teplotu, aby nedošlo k popálení.
  - Tento spotřebič je klasifikován jako zařízení ISM skupiny 2, třídy B. Skupina 2 obsahuje všechna zařízení ISM (Industrial, Scientific, Medical) (průmyslová, vědecká a lékařská), ve kterých se vysokofrekvenční energie záměrně generuje a / nebo používá ve formě elektromagnetického záření za účelem zpracování materiálu, a dále zařízení na jiskrové řezání.
  - Zařízení třídy B je vhodné pro použití v domácích instalacích a v instalacích přímo připojených k nízkonapěťové napájecí síti.
  - V troubě nepoužívejte kuchyňský olej. Horký olej může poškodit součásti a materiály trouby, a dokonce může způsobit popáleniny kůže.
  - Jídlo se silnou slupkou, jako jsou brambory, cukety, jablka a kaštiny, propíchněte.
  - Spotřebič musí být umístěn tak, aby zadní strana směřovala ke zdi.
  - Před přemístěním spotřebiče zajistěte otočný talíř, aby nedošlo k jeho poškození.
  - Vejce ve skořápce a celá natvrdo uvařená vejce se v mikrovlnné troubě nesmí ohřívat, protože mohou explodovat, a to i po ukončení mikrovlnného ohřevu.
- VAROVÁNÍ:** Pokud jsou dvířka nebo těsnění dvířek poškozené, trouba se nesmí používat, dokud ji neopraví kvalifikovaná osoba.
- VAROVÁNÍ:** Pro kohokoli jiného, než kompetentní osobu, je nebezpečné provádět jakékoli servisní nebo opravářské činnosti zahrnující odstranění krytu, který poskytuje ochranu před působením mikrovlnné energie.

# 1 Důležité bezpečnostní a ekologické pokyny

**VAROVÁNÍ:** Tekutiny a jiné potraviny se nesmějí ohřívat v uzavřených nádobách, protože by mohly explodovat.

- Troubu je třeba pravidelně čistit a odstraňovat veškeré zbytky jídla.
  - Nad horním povrchem trouby by měl být volný prostor minimálně 20 cm.
  - Potraviny nepřevařujte, aby nedošlo k požáru.
  - K čištění spotřebiče nepoužívejte chemikálie ani parní čističe.
  - Při používání v blízkosti dětí a osob s omezenými fyzickými, smyslovými nebo duševními schopnostmi dbejte na maximální opatrnost.
  - Děti ve věku 8 let a starší a osoby s omezenými fyzickými, smyslovými nebo duševními schopnostmi nebo bez znalostí a zkušeností mohou tento spotřebič používat pouze tehdy, když jsou pod dohledem osoby zajišťující bezpečné používání výrobku, nebo jsou odpovídajícím způsobem poučeny nebo rozumí rizikům používání produktu. S přístrojem si nesmí hrát děti.
- Postupy čištění a uživatelské údržby by neměly provádět děti, pokud nejsou pod dohledem starších osob.
- **Nebezpečí udušení!** Všechny obalové materiály uchovávejte mimo dosah dětí.
  - S ohledem na nadměrné teplo, které vzniká v grilovacích a kombinovaných režimech, by mělo být dětem povoleno používat tyto režimy pouze pod dohledem dospělé osoby.
  - Výrobek a jeho napájecí kabel uchovávejte tak, aby k nim neměly přístup děti mladší 8 let.
  - Nevařte jídlo přímo na skleněném podnosu. Před umístěním do trouby vložte jídlo do příslušného kuchyňského nádobí.
  - Při mikrovlnném vaření se nesmí používat kovové nádoby na jídlo a nápoje. Mohly by způsobit jiskření.
  - Mikrovlnná trouba nesmí být umístěna ve skříni, která neodpovídá návodu k instalaci.
  - Mikrovlnná trouba je určena pouze pro vestavěné použití.

# 1 Důležité bezpečnostní a ekologické pokyny

- Pokud používáte vestavěné spotřebiče ve výšce nebo nad 900 mm nad podlahou, dávejte pozor, abyste při vyjímání nádob ze spotřebiče nevytáhli otočný talíř.
- Pokud je vestavěný výrobek ve skříni s dvířky, musí být během provozu dvířka skříně otevřená.

## 1.2 Dodržování směrnice WEEE a odstranění odpadů výrobku

Tento výrobek splňuje požadavky směrnice EU WEEE (2012/19 / EU). Na tomto produktu je zobrazen symbol klasifikace odpadu elektrických a elektronických zařízení (WEEE).



Tento symbol znamená, že na konci své životnosti se tento výrobek nesmí likvidovat spolu s ostatním domovním odpadem. Použité zařízení se musí odnést na oficiální sběrné místo za účelem recyklace elektrických a elektronických zařízení. Chcete-li najít tato sběrná místa, obraťte se na místní úřady nebo na prodejce, u kterého byl produkt zakoupen. Každá domácnost plní důležitou úlohu při zhodnocování a recyklaci starých zařízení. Správná likvidace použitého spotřebiče pomáhá předcházet možným negativním následkům pro životní prostředí a lidské zdraví.

## 1.3 Soulad se směrnicí RoHS

Výrobek, který jste si zakoupili, vyhovuje směrnici EU RoHS (2011/65/EU). Neobsahuje škodlivé a zakázané látky uvedené ve směrnici.

## 1.4 Informace o balení

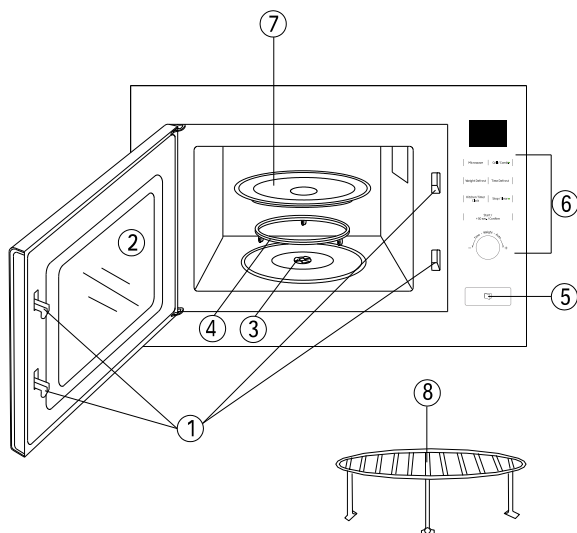


Obalové materiály výrobku jsou vyrobeny z recyklovatelných materiálů v souladu s našimi vnitrostátními předpisy o životním prostředí. Nevyhazujte obalové materiály spolu s domácími nebo jinými odpady. Vezměte je do sběrných míst pro obalové materiály určené místními orgány.



## 2 Vaše mikrovlnná trouba

### 2.1 Přehled



1. Bezpečnostní blokovací systém dvířek
2. Okno trouby
3. Hřídel otočné desky
4. Podpěra otočné desky
5. Tlačítko otevírání dvířek
6. Ovládací panel
  - Mikrovlnná trouba
  - Gril / Kombinovaný.
  - Rozmrazování podle hmotnosti
  - Rozmrazování podle času
  - Kuchyňský časovač
  - Zastavit / Vymazat
  - Start / + 30 sekund / Potvrdit
  - Čas / Hmotnost / Automatický (vysouvací tlačítko)
7. Skleněný talíř
8. Rošt na grilování (Nelze použít pro funkci mikrovlnné trouby a musí být umístěn na skleněném talíři)

### 2.2. Technické údaje

<b>Příkon</b>	230 V ~ 50 Hz, 1 270 W (mikrovlnná trouba) 1 000 W (gril)
<b>Výkon</b>	800 W
<b>Provozní frekvence</b>	2 450 MHz
<b>Vnější rozměry (V x Š x H) mm</b>	387 x 594 x 333
<b>Objem trouby</b>	20 litrů
<b>Čistá hmotnost</b>	16,5 kg
<b>Barva</b>	Černá

Právo na technické a konstrukční změny vyhrazeno.

Značky na spotřebiči nebo hodnoty uvedené v jiných dokumentech dodávaných s výrobkem jsou hodnoty získané při laboratorních podmínkách podle příslušných norem. Tyto hodnoty se mohou lišit v závislosti na použití spotřebiče a okolních podmínkách. Hodnoty výkonu jsou testovány při 230 V.

## 3 Instalace a připojení

### 3.1 Návod k instalaci

- Dodržujte speciální pokyny k instalaci.
- Spotřebič můžete instalovat do 60 cm široké nástěnné skříňky.
- Spotřebič je vybaven zástrčkou a smíte jej zapojit pouze do správně nainstalované uzemněné zásuvky.
- Síťové napětí musí odpovídat napětí uvedenému na typovém štítku.
- Instalaci zásuvky a výměnu připojovacího kabelu smí provádět pouze kvalifikovaný elektrikář. Pokud po instalaci již není zástrčka přístupná, musí být na straně instalace přítomno zařízení pro odpojení všech pólů s mezerou kontaktů nejméně 3 mm.



**VAROVÁNÍ:** Není dovoleno se používat adaptéry, vícecestné lišty a prodlužovací kabely. Přetížení může vyvolat riziko požáru.

### 3.2 Elektrické připojení

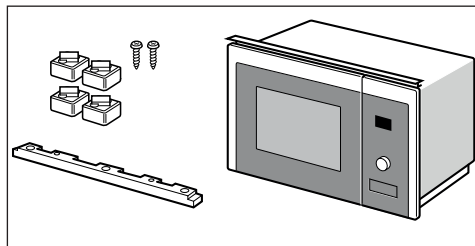
- Spotřebič je vybaven zástrčkou a smíte jej zapojit pouze do správně nainstalované uzemněné zásuvky.
- Instalaci zásuvky a výměnu připojovacího kabelu smí provádět pouze kvalifikovaný elektrikář, který dodržuje příslušné předpisy.
- Pokud po instalaci již není zástrčka přístupná, musí být na straně instalace přítomno zařízení pro odpojení všech pólů s mezerou kontaktů nejméně 3 mm.
- Instalace musí zajišťovat ochranu kontaktů.

### 3.3 Spotřebič v nástěnné jednotce

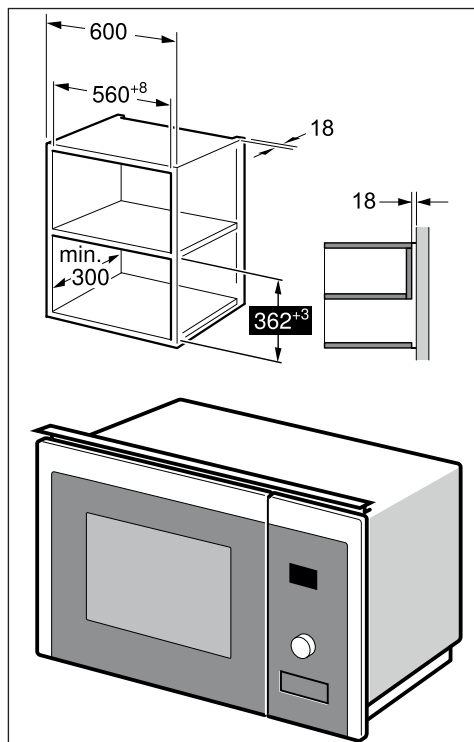
Instalační skříň nesmí mít zadní panel za přístrojem.

Minimální výška instalace: 850 mm. Ventilační otvory a přívody nesmí být zakryty.

Části;



#### Spotřebič v jednotce pro zavěšení na zeď



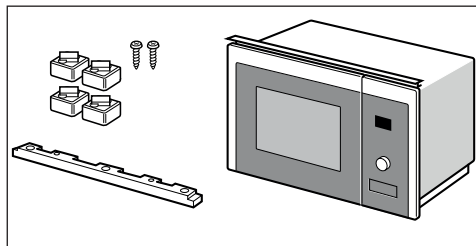
## 3 Instalace a připojení

### 3.4 Spotřebič ve vysoké jednotce

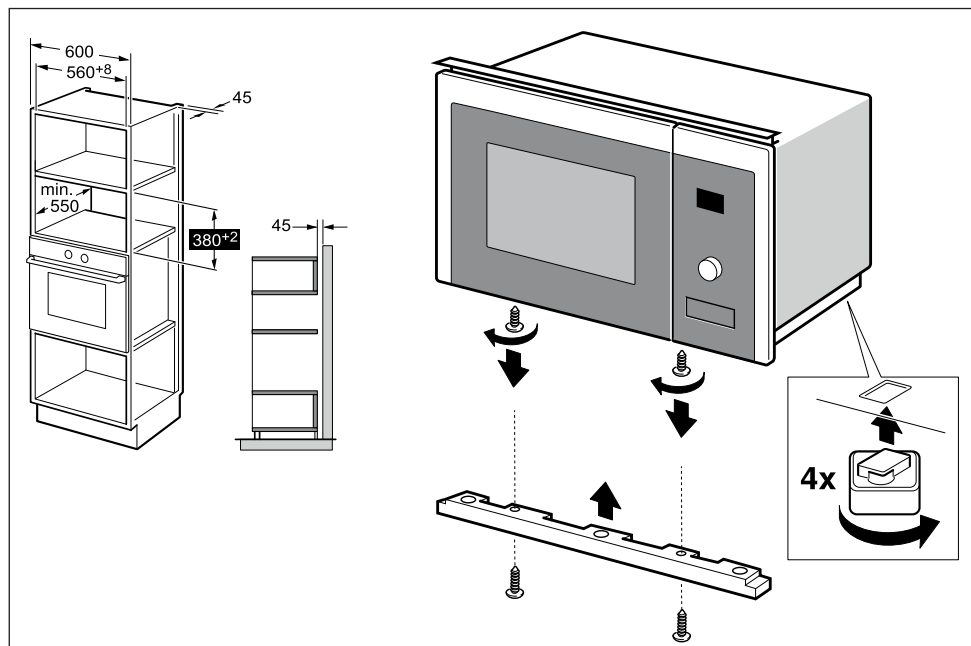
Instalační skříň nesmí mít zadní panel za přístrojem.

Minimální výška instalace: 850 mm. Ventilační otvory a přívody nesmí být zakryty.

**Části;**



**Spotřebič ve vysoké jednotce**

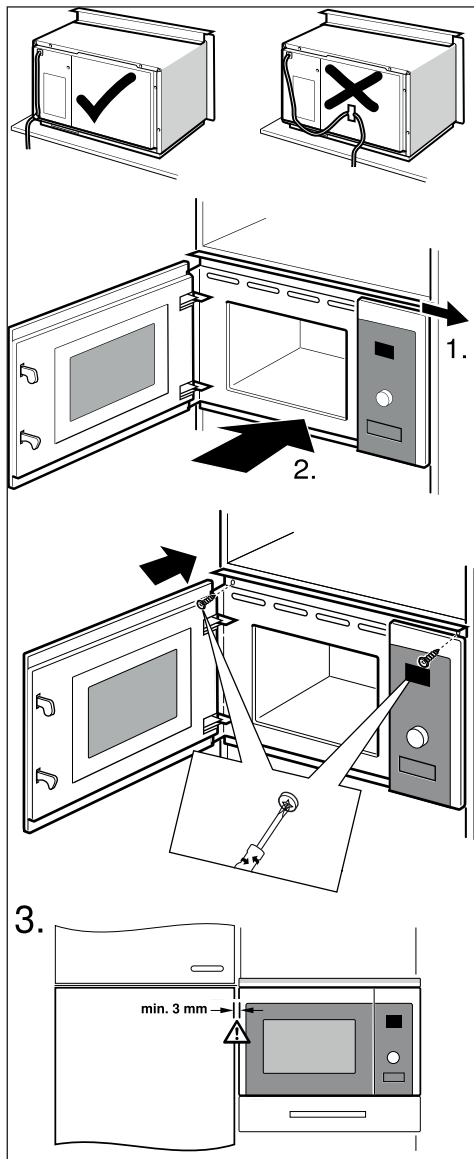


## 3 Instalace a připojení

### 3.5 Instalace trouby

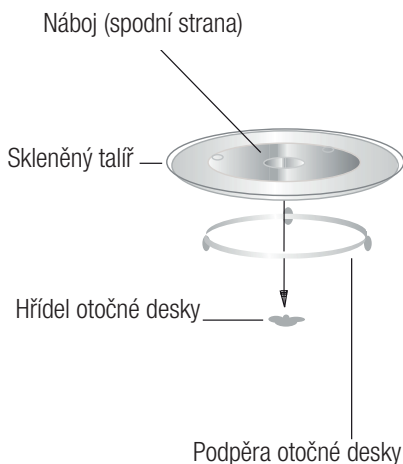


**VAROVÁNÍ:** Napájecí kabel nezachycujte ani na něm nedělejte uzly.



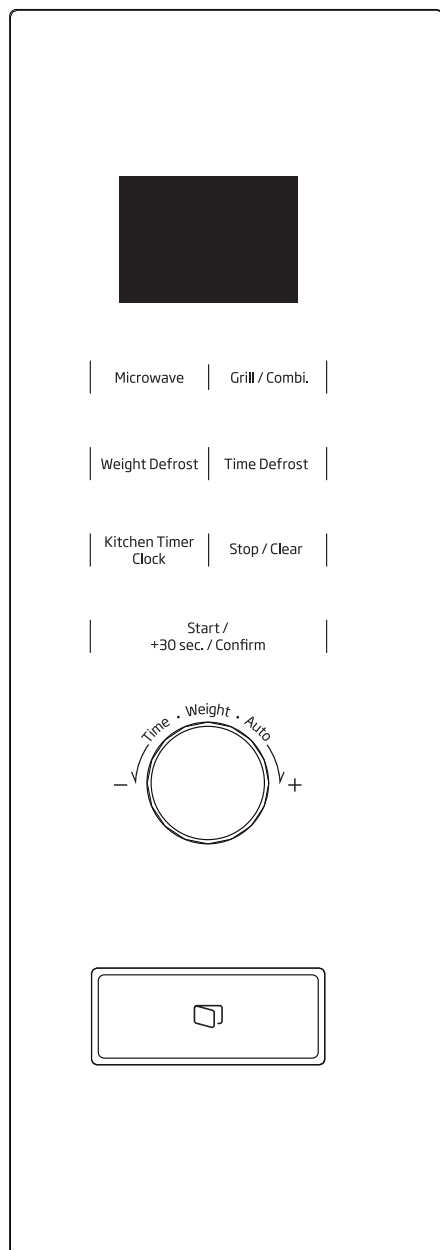
### 3.6 Instalace otočné desky

- Nikdy nepokládejte skleněný talíř dnem vzhůru. Skleněnému talíři by nikdy nemělo nic překážet.
- Během vaření se musí vždy používat skleněný talíř a podpěra otočné talíře.
- Veškeré jídlo a nádoby s jídlem musí být během vaření vždy umístěny na skleněném talíři.
- Pokud skleněný talíř nebo podpěra otočné desky prasknou nebo se zlomí, obraťte se na nejbližší autorizované servisní středisko.



## 4 Obsluha

### 4.1 Ovládací panel



### 4.2 Nastavení hodin

Když je mikrovlnná trouba pod napětím, zobrazí se "0:00" a bzučák jednou zazní. Trouba přejde do stavu vyčkávání.

1. Stiskněte dvakrát tlačítko "Kitchen Timer/Clock". Číslice hodin začnou blikat.
2. Otáčením knoflíku "Time / Weight / Auto" upravte hodinu; vstupní hodnota by měla být mezi 0 a 23.
3. Stiskněte tlačítko "Kitchen Timer/Clock". Číslice minut začnou blikat.
4. Otáčením knoflíku "Time / Weight / Auto" upravte minuty; vstupní hodnota by měla být mezi 0 a 59.
5. Stisknutím tlačítka "Kitchen Timer/Clock" dokončete nastavení času. Symbol ":" bude blikat a čas bude svítit.



Pokud hodiny nejsou nastaveny, při zapnutí nebudou fungovat.

### 4.3 Mikrovlnné vaření

1. Stiskněte jednou tlačítko "Microwave". Zobrazí se „P100“.
2. Stiskněte znovu tlačítko "Microwave" nebo otáčením knoflíku "Time / Weight / Auto" vyberte požadovaný výkon. Při každém stisknutí tlačítka se zobrazí "P100, P80, P50, P30" nebo "P10" v uvedeném pořadí.
3. Stisknutím tlačítka "Start/+30 Sec./Confirm" potvrďte požadovaný výkon.
4. Otáčením knoflíku "Time / Weight / Auto" nastavte dobu vaření na hodnotu mezi 0:05 a 95:00.
5. Opětovným stisknutím tlačítka "Start/+30 Sec./Confirm" spustte vaření.
6. Čas na obrazovce se začíná odpočítávat.
7. Po dokončení procesu je slyšet "pípnutí".

## 4 Obsluha

Níže jsou uvedeny kroky pro nastavení času kódovacím tlačítkem:

Nastavení doby trvání	Hodnota přírůstku
0–1 minuta	5 sekund
1–5 minut	10 sekund
5–10 minut	30 sekund
10–30 minut	1 minuta
30–95 minut	5 minut

### Tabulka mikrovlnného výkonu

Mikrovlnný výkon	Vysoký	Střední Vysoký	Střední	Střední Nizký	Nizký
Displej	P100	P80	P50	P30	P10

### 4.4 Gril nebo kombinované vaření

1. Stiskněte jednou tlačítko "Grill / Combi.". Na obrazovce se zobrazí "G".
2. Opakovaným stisknutím nebo otočením knoflíku "Time / Weight / Auto" vyberte požadovaný výkon. Zobrazí se "G", "C-1" nebo "C-2".
3. Stisknutím tlačítka "Start/+30Sec./Confirm" potvrďte výkon.
4. Otočením knoflíku "Time / Weight / Auto" nastavíte čas vaření. (Maximální doba vaření je 95 minut)
5. Opětovným stisknutím tlačítka "Start/+30Sec./Confirm" spustíte vaření.
6. Čas na obrazovce se začíná odpočítávat.
7. Po dokončení procesu je slyšet "pípnutí".

### Pokyny pro kombinovaný výkon

Program	Displej	Mikrovlnný výkon	Výkon grilu
Gril	G	0 %	100 %
Combi.1	C-1	55 %	45 %
Combi.2	C-2	36 %	64 %



Když uplyne polovina doby grilování, trouba spustí dvakrát zvukový signál, to je normální. Chcete-li zajistit lepší účinek grilování jídla, obraťte pokrm, zavřete dvířka a poté pokračujte v grilování stisknutím tlačítka "Start/+30Sec./Confirm". Pokud neproběhne žádná činnost, trouba bude pokračovat v práci.

### 4.5 Rozmrazování podle hmotnosti

1. Stiskněte jednou tlačítko "Weight Defrost". Na obrazovce se zobrazí "dEF1".
2. Otáčením knoflíku "Time / Weight / Auto" vyberte hmotnost jídla. Rozsah hmotnosti je 100–2000 g.
3. Rozmrazování zahájíte stisknutím tlačítka "Start/+30 Sec./Confirm".
4. Čas na obrazovce se začíná odpočítávat.
5. Po dokončení procesu je slyšet "pípnutí".



Když uplyne polovina doby rozmrazování, trouba spustí dvakrát zvukový signál, to je normální. Chcete-li zajistit lepší účinek rozmrazování, obraťte pokrm, zavřete dvířka a poté pokračujte ve vaření stisknutím tlačítka "Start/+30Sec./Confirm". Pokud neproběhne žádná činnost, trouba bude pokračovat v práci.

### 4.6 Rozmrazování podle času

1. Stiskněte jednou tlačítko "Time Defrost". Na obrazovce se zobrazí "dEF2".
2. Otáčením knoflíku "Time / Weight / Auto" vyberte dobu vaření. Maximální doba je 95 minut.
3. Rozmrazování zahájíte stisknutím tlačítka "Start/+30 Sec./Confirm".
4. Čas na obrazovce se začíná odpočítávat.
5. Po dokončení procesu je slyšet "pípnutí".

## 4 Obsluha



Když uplyne polovina doby rozmrazování, trouba spustí dvakrát zvukový signál, to je normální. Chcete-li zajistit lepší účinek rozmrazování, obraťte pokrm, zavřete dvířka a poté pokračujte ve vaření stisknutím tlačítka "Start/+30Sec./Confirm". Pokud neproběhne žádná činnost, trouba bude pokračovat v práci.

### 4.7 Vícefázové vaření

Lze nastavit maximálně 2 fáze. Pokud je jednou z fází rozmrazování, mělo by se automaticky nastavit jako první fáze. Po každé fázi jednou zazní buzučák a začne další fáze.



Nabídku Auto a rychlé vaření nelze nastavit jako vícefázové.

**Příklad:** Pokud chcete jídlo rozmrazovat po dobu 5 minut, pak vařte s 80 % mikrovlnným výkonem po dobu 7 minut.

#### Postup je následující:

1. Stiskněte jednou tlačítko "Time Defrost". Na obrazovce se zobrazí "dEF2".
2. Otáčením knoflíku "Time / Weight / Auto" upravíte dobu rozmrazování na 5 minut;
3. Stiskněte jednou tlačítko "Microwave". Na obrazovce se zobrazí „P100“.
4. Opakovaným stisknutím tlačítka "Microwave" vyberte mikrovlnný výkon, až se zobrazí "P80";
5. Potvrďte hodnotu stisknutím tlačítka "Start/+30 Sec./Confirm".
6. Otáčením knoflíku "Time / Weight / Auto" nastavíte dobu vaření na 7 minut;
7. Stisknutím tlačítka "Start/+30 Sec./Confirm" spustíte vaření.
8. Po dokončení procesu je slyšet "pípnutí".

### 4.8 Kuchyňský časovač

1. Stiskněte jednou tlačítko "Kitchen Timer/Clock". Na obrazovce se zobrazí "00:00".
2. Otočením knoflíku "Time / Weight / Auto" zadejte správný časovač. (Maximální doba vaření je 95 minut)
3. Potvrďte hodnotu stisknutím tlačítka "Start/+30 Sec./Confirm".
4. Čas na obrazovce se začíná odpočítávat.
5. Po dokončení procesu je slyšet "pípnutí".

### 4.9 Nabídka Auto (Automatický)

1. Ve stavu vyčkávání vyberte nabídku otáčením knoflíku "Time / Weight / Auto". Na obrazovce se zobrazí "A 1".
2. Otočením knoflíku "Time / Weight / Auto" vyberte požadovanou nabídku. Zobrazí se "A 1" až "A 8".
3. Stisknutím tlačítka "Start/+30 Sec./Confirm" nabídku potvrdíte.
4. Otáčením knoflíku "Time / Weight / Auto" zvolte hmotnost jídla.
5. Opětovným stisknutím tlačítka "Start/+30Sec./Confirm" spustíte vaření.
6. Čas na obrazovce se začíná odpočítávat.
7. Po dokončení procesu je slyšet "pípnutí".

#### Tabulka nabídky:

Nabídka	Hmotnost	Tlačítko zapnutí
A 1 - Pizza	200 g	100 % (Mikrovlny)
	400 g	
A 2 - Maso	250 g	100 % (Mikrovlny)
	350 g	
	450 g	
A 3 - Zelenina	200 g	100 % (Mikrovlny)
	300 g	
	400 g	

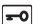
## 4 Obsluha

A 4 - Těstoviny	50 g (se 450 g studené vody)	80 % (Mikrovlny)
	100g (se 800g studené vody)	
A 5 - Brambory	200 g	100 % (Mikrovlny)
	400 g	
	600 g	
A 6 - Ryby	250 g	80 % (Mikrovlny)
	350 g	
	450 g	
A 7 - Nápoje	1 šálek (asi 120 ml)	100 % (Mikrovlny)
	2 šálky (přibližně 240 ml)	
	3 šálky (přibližně 360 ml)	
A 8 - Popcorn	50 g	100 % (Mikrovlny)
	100 g	

### 4.10 Rychlé vaření

1. Ve stavu vyčkávání stiskněte tlačítko "Start/+30Sec./Confirm" a vařte na úrovni výkonu 100 % po dobu 30 sekund. Každým stisknutím stejného tlačítka můžete přidat 30 sekund. Maximální doba vaření je 95 minut.
2. Během mikrovlnného vaření, grilování, kombinovaného vaření a rozmrazování podle času můžete stisknutím tlačítka "Start/+30Sec./Confirm" prodloužit dobu vaření.
3. Ve stavech automatické nabídky a rozmrazování podle hmotnosti nelze dobu vaření prodloužit stisknutím tlačítka "Start/+30Sec./Confirm".
4. Ve stavu vyčkávání otočte knoflík "Time / Weight / Auto" doleva a vyberte dobu vaření. Když máte nastavenou dobu vaření, stisknutím tlačítka "Start/+30Sec./Confirm" spusťte mikrovlnné vaření pomocí páčky 100 %.

### 4.11 Funkce zámku pro děti

**Zámek:** Ve stavu vyčkávání stisknutím tlačítka "STOP/Clear" na 3 sekundy přepnete do stavu zámku pro děti. Pokud byl čas nastaven, zobrazí se aktuální čas. Jinak se na obrazovce zobrazí " ".

**Ukončení zámku:** V uzamčeném stavu stiskněte na 3 sekundy tlačítko "STOP/Clear". Zámek se uvolní.

### 4.12 Dotazovací funkce

1. Při mikrovlnném vaření nebo grilu a v kombinaci. Stiskněte tlačítko "Microwave" nebo "Grill / Combi." Na 3 sekundy se zobrazí aktuální výkon.
2. Pokud byly hodiny nastaveny, během vaření stiskněte tlačítko "Kitchen Timer/Clock" a zkontrolujte aktuální čas. Zobrazí se na 3 sekundy.

### 4.13 Specifikace

1. Pokud se během vaření dvířka otevrou, zavřete dvířka a poté pokračujte ve vaření stisknutím tlačítka "Start/+30Sec./Confirm".
2. Jakmile je program vaření nastaven, a během 1 minuty nedojde ke stisknutí tlačítka "Start/+30Sec./Confirm", zobrazí se aktuální čas. Nastavení bude zrušeno.
3. Při efektivním stisknutí bzučák zazní jednou. Na neúčinné stisknutí nereaguje.



## 5 Osvětlení varné desky

Na výsledek vaření mohou mít vliv následující faktory:

### Uspořádání jídla

Tlustější místa umístěte směrem ven z misky, tenčí část směrem ke středu a rovnoměrně je rozložte. Pokud je to možné, kusy nepřekrývejte.

### Délka vaření

Začněte vařit s krátkým časovým nastavením. Po uplynutí časového limitu posuďte výsledek a podle aktuální potřeby vaření prodlužte. Nadměrné vaření může způsobit kouř a spálení.

### Rovnoměrné vaření jídla

Jídla, jako je kuřecí maso, hamburger nebo steak, byste měli během vaření jednou otočit.

Pokud je to podle druhu jídla vhodné, během vaření jednou nebo dvakrát zamíchejte jídlo z vnější strany do středu.

### Nechte chvíli odstát.

Po uplynutí časového limitu nechte jídlo v troubě dostatečně dlouhou dobu, aby se mohl dokončit cyklus vaření a aby se jídlo postupně ochladilo.

### Kdy je jídlo hotové

Zda je jídlo hotové, můžete určit podle barvy a tvrdosti, například:

- Pára vychází ze všech částí jídla, nejen z okrajů.
- U drůbeže lze snadno hýbat s klouby.
- Vepřové nebo drůbeží maso nejeví žádné známky krve.
- Ryby jsou neprůhledné a lze je snadno krájet vidličkou.

### Varná mísa (Browning)

Při použití varné mísy (Browning) nebo samoohřívací nádoby vždy pod nádobu umístěte tepelně odolný izolátor, například porcelánový talíř, aby nedošlo k poškození otočného talíře a rotujícího kruhu.

### Plastový obal bezpečný pro mikrovlnnou troubu

Při vaření potravin s vysokým obsahem tuku nedovolte, aby plastový obal přišel do styku s potravinami, protože by se mohl roztavit.

### Plastové nádoby bezpečné pro mikrovlnnou troubu

Některé plastové nádoby vhodné pro mikrovlnnou troubu nemusí být vhodné pro vaření potravin s vysokým obsahem tuku a cukru. Nesmí také dojít k překročení doby předehřevu uvedené v návodu k použití nádobí.

## 6 Pokyny pro nádoby

### 6.1 Materiály, které můžete použít v mikrovlnné troubě nebo kterým je třeba se v mikrovlnné troubě vyhnout



Nebezpečí úrazu Pro kohokoli jiného, než kompetentní osobu, je nebezpečné provádět jakékoli servisní činnosti nebo opravy, které zahrnují odstranění krytu poskytujícího ochranu před působením mikrovlnné energie.

Viz pokyny v části „Materiály, které můžete použít v mikrovlnné troubě nebo kterým je třeba se v mikrovlnné troubě vyhnout.“ Mohou existovat určité nekovové nádoby, jejichž použití v mikrovlnné troubě není bezpečné. Pokud máte pochybnosti, můžete takové nádoby vyzkoušet následujícím postupem.

#### Test nádobí:

1. Nádobu vhodnou do mikrovlnné trouby naplňte jedním šálkem studené vody (250 ml) spolu s příslušným nádobím.
2. Vařte na maximální výkon po dobu 1 minuty.
3. Opatrně sáhněte nádobí. Pokud je prázdná nádoba teplá, nepoužívejte ji k vaření v mikrovlnné troubě.
4. Nepřekračujte dobu 1 minuty vaření.

Materiály, které můžete použít v mikrovlnné troubě	
Nádobí	Poznámky
Hliníková fólie	Pouze stínění. Malé hladké kousky lze použít k zakrytí tenkých částí masa nebo drůbeže, aby se zabránilo převaření. Pokud je fólie příliš blízko ke stěnám trouby, může dojít k jiskření. Fólie by měla být nejméně 2,5 cm od stěn trouby.
Varná mísa (Browning)	Postupujte podle pokynů výrobce. Dno varné mísy (Browning) musí být nejméně 5 mm nad otočným talířem. Nesprávné použití může způsobit zlomení otočné desky.
Stolní nádobí	Pouze bezpečné pro mikrovlnnou troubu. Postupujte podle pokynů výrobce. Nepoužívejte prasklé ani odštípnuté nádobí.
Sklenice	Vždy sejměte víko. Používejte pouze k ohřívání jídla, jen aby bylo teplé. Většina skleněných nádob není tepelně odolná a může se rozbít.
Skleněné nádobí	Pouze žáruvzdorné sklo do trouby. Ujistěte se, že nádoby nemají žádné kovové obložení. Nepoužívejte prasklé ani odštípnuté nádobí.
Sáčky na vaření v troubě	Postupujte podle pokynů výrobce. Nezavírejte kovovou páskou. Vytvořte štěrbinu, aby mohla unikat pára.
Papírové talíře a kelímky	Používejte pouze pro krátkodobé vaření / ohřívání. Během vaření nenechávejte troubu bez dozoru.
Papírové utěrky	Slouží k zakrytí jídla pro opětovný ohřev a vstřebávání tuku. Používejte pod dohledem a pouze pro krátkodobé vaření.
Pergamenový papír	Použijte jako kryt, aby se zabránilo rozstříkávání, nebo obal na páru.
Plast	Pouze bezpečné pro mikrovlnnou troubu. Postupujte podle pokynů výrobce. Měl by být označen jako „Bezpečné pro mikrovlnnou troubu“. Některé plastové nádoby změknou, když se jídlo uvnitř zahřívá. „Varné sáčky“ a těsně uzavřené plastové sáčky rozřízněte, propíchněte nebo odvětrejte podle pokynů na obalu.

## 6 Pokyny pro nádobí

Plastový obal	Pouze bezpečné pro mikrovlnnou troubu. Slouží k zakrytí jídla během vaření, aby se udržela vlhkost. Nedovolte, aby se plastový obal dotýkal jídla.
Teploměry	Pouze bezpečné pro mikrovlnnou troubu (teploměry na maso a cukrovinky).
Voskový papír	Slouží jako kryt, aby se zabránilo stříkání a zadržela vlhkost.
<b>Materiály, kterým je třeba se v mikrovlnné troubě vyhnout</b>	
Hliníkový podnos	Může způsobit jiskření. Přeneste jídlo do nádoby vhodné pro mikrovlnnou troubu.
Potravinová krabička s kovovou rukojetí	Může způsobit jiskření. Přeneste jídlo do nádoby vhodné pro mikrovlnnou troubu.
Kovové nebo kovem zdobené nádoby	Kov stíní jídlo od mikrovlnné energie. Kovové obložení může způsobit jiskření.
Kovové kroužky	Může způsobit jiskření a způsobit oheň v troubě.
Papírové sáčky	Mohou způsobit oheň v troubě.
Plastová pěna	Plastová pěna se může působením vysoké teploty roztavit nebo kontaminovat kapalinu uvnitř.
Dřevo	Dřevo při použití v mikrovlnné troubě vyschne a může se štípat nebo praskat.

## 7 Čištění a údržba

### 7.1 Čištění



**VAROVÁNÍ:** K čištění spotřebiče nikdy nepoužívejte benzín, rozpouštědlo, abrazivní čisticí prostředek, kovové objekty nebo tvrdé kartáče.



**VAROVÁNÍ:** Spotřebič nebo jeho napájecí kabel nikdy neponořujte do vody či jiné kapaliny.

1. Vypněte spotřebič a odpojte napájecí kabel ze zásuvky.
2. Počkejte, než spotřebič zcela vychladne.
3. Vnitřní část trouby udržujte čistou. V případě, že na stěnách trouby zůstaly zbytky jídla nebo rozlité kapaliny, otřete je navlhčeným hadříkem. Pokud se trouba hodně znečistí, lze použít jemný čisticí prostředek. Vyhněte se použití sprejů a dalších čisticích látek, neboť mohou zanechat skvrny, značky a poničit povrch dveří.
4. Vnější povrchy trouby musí být vyčištěny navlhčeným hadříkem. Nedovolte, aby se voda dostala do větracích otvorů, abyste tak předešli poškození provozních částí v troubě.
5. Obě strany dveří a sklo, těsnění dveří a část v blízkosti těsnění často otírejte navlhčeným hadříkem, abyste odstranili skvrny způsobené rozstříknutím. Nepoužívejte abrazivní čisticí přípravky.
6. Nedovolte, aby ovládací panel zvlhnul. Vyčistěte měkkým navlhčeným hadříkem. Dveře trouby nechte otevřené, abyste během čištění ovládacího panelu předešli nežádoucímu spuštění.
7. Pokud se uvnitř trouby nebo v jejím okolí nahromadí pára, setřete ji měkkým hadříkem. K tomu může dojít, je-li mikrovlnná trouba provozována ve vysoce vlhkých podmínkách. To je normální.
8. V některých případech musíte při čištění vyjmout skleněný talíř. Skleněný talíř omyjte v teplé vodě nebo v myčce.

## 7 Čištění a údržba

9. Válec a troubu je třeba čistit pravidelně, aby se předešlo nadměrné hlučnosti.
10. Spodní část trouby stačí otřít hadříkem s jemným čistícím přípravkem. Kroužek lze umýt v teplé vodě nebo v myčce. Když kroužek vyjmete ze spodní části, při jeho vrácení zkontrolujte, že jste ho nainstalovali správným směrem.
11. Abyste odstranili špatný zápach z trouby, vložte do mikrovlnné trouby misku s vodou a citrónovou šťávou a kůrou a troubu spusťte na 5 minut v mikrovlnném režimu. Důkladně otřete a vysušte měkkým hadříkem.
12. V případě, že je třeba provést výměnu žárovky v troubě, kontaktujte autorizovaný servis, prosím.
13. Trouba musí být pravidelně čištěna a jakékoli zbytky potravin musí být odstraněny. Není-li trouba udržována čistá, může to způsobit povrchové defekty, které by mohly negativně ovlivnit životnost spotřebiče, což by mohlo způsobit nebezpečí.
14. Tento spotřebič nelikvidujte společně s domácím odpadem; staré trouby musí být zlikvidovány ve speciálních centrech provozovaných městskými úřady.
15. Když se používá funkce grilu, může se objevit malé množství kouře a zápachu, což po určité době používání zmizí.

### 7.2 Skladování

- Pokud nechcete spotřebič delší dobu používat, důkladně jej uskladněte.
- Zkontrolujte, zda je spotřebič odpojený, vychladlý a zcela suchý.
- Spotřebič skladujte na suchém, chladném místě.
- Spotřebič skladujte mimo dosah dětí.

### 7.3 Manipulace a přeprava

- Během manipulace a přepravy uchovávejte přístroj v původním obalu.
- Balení chrání spotřebič před fyzickým poškozením.
- Na zařízení ani na obal nepokládejte těžká břemena. Může dojít k poškození spotřebiče.

## 8 Odstraňování problémů

Normální	
Mikrovlnná trouba ruší TV příjem.	Při provozu mikrovlnné trouby může docházet k rušení rozhlasového a televizního příjmu. Je to podobné rušení malých elektrických spotřebičů, např. mixéru, vysavače a elektrického ventilátoru. To je normální.
Světlo v troubě je ztlumené.	Během mikrovlnného vaření při nízkém výkonu se může světlo v troubě ztlumit. To je normální.
Pára se kumuluje na dveřích, horkých vzduch vychází průduchy	Během vaření může jídla vycházet pára. Většina páry vyjde průduchy. Ale někdy se může kumulovat na chladném místě, např. dveřích trouby. To je normální.
Omylem spuštěná trouba, bez vloženého jídla.	Je zakázané spouštět spotřebič, aniž by v něm byly nějaké potraviny. Je to velmi nebezpečné.

Problém	Možná příčina	Řešení
Troubu nelze spustit.	1) Napájecí kabel není řádně zapojen.	Odpojte ho. Po 10 sekundách ho znovu zapojte.
	2) Pojistka zkratovala nebo se aktivoval jistič okruhu.	Vyměňte pojistku nebo restartujte jistič (opravu provedou profesionálové z naší společnosti).
	3) Problém se zásuvkou.	V zásuvce vyzkoušejte jiné elektrické spotřebiče.
Trouba nehřeje.	4) Dveře nejsou dobře zavřené.	Dveře řádně zavřete.



## ZÁKAZNICKÉ CENTRUM BEKO

BEKO Spolka Akcyjna, org. sl. Lužná 716/2, 160 00 Praha 6 – Vokovice

**7 dní v týdnu od 8:00 do 18:00**

pomůže vyřešit záruční, případně pozáruční opravy výrobků BEKO

kontakt	<b>220 105 371</b> <b>800 350 333</b>
e-mail	<b>zakaznickecentrum@bekosa.cz</b>
Objednávka opravy spotřebiče online	<a href="http://www.bekocr.cz">www.bekocr.cz</a>
5 LET ZÁRUKY – podmínky a registrace online	<a href="http://www.bekocr.cz">www.bekocr.cz</a>

### ZÁRUČNÍ PODMÍNKY ČR

- a) Platný a čitelný prodejní doklad, který obsahuje datum prodeje, model spotřebiče a označení prodejce opravňuje uživatele využít záruku na výrobek v souladu s ustanoveními Občanského zákoníku, v platném znění.
- b) Není-li stanoveno jinak, je záruční doba na výrobek 24 měsíců. Začíná plynout ode dne převzetí věci kupujícím vyjma případu, kdy je nutné uvedení do provozu oprávněnou firmou. V tom případě začne záruční doba plynout ode dne uvedení výrobku do provozu.

Výrobky vyžadující odborné zapojení: plynové a kombinované sporáky a varné desky, dále všechny spotřebiče, které nejsou vybaveny přírodním elektrickým kabelem zakončeným vidlicí. Zapojení spotřebiče je službou hrazenou zákazníkem. Potvrzení je nutné uschovat. Dovozce nezodpovídá za poškození vzniklé chybnou instalací a chybným zapojením výrobku.

c) Záruka vyplývající z těchto záručních podmínek může být uplatněna pouze na území České republiky a týká se pouze a výhradně spotřebičů dovezených do ČR prostřednictvím naší společnosti, BEKO Spolka Akcyjna, org. sl. Lužná 716/2, 160 00 Praha 6 – Vokovice, která je oficiálním zastoupením značky BEKO pro Českou republiku.

d) Záruka je poskytována kupujícímu (konečnému spotřebiteli) v souladu se zákonem č. 634/1992 Sb., o ochraně spotřebitele v platném znění, na výrobek sloužící běžnému používání v domácnosti. Výrobek není určen k průmyslovému použití a poskytování služeb. Spotřebiče, které nejsou používány v domácnosti, nejsou předmětem záruky (hotelová a restaurační zařízení, školská zařízení, úklidové firmy, atd...)

e) Práva ze zodpovědnosti za vady výrobku se uplatňují u prodávajícího. Záruční oprava se vztahuje výhradně na závady, které vzniknou v době platnosti záruční lhůty a to výrobní vadou. Takto vzniklé závady je oprávněn odstranit pouze autorizovaný servis.

f) O odstranění vad výrobku v záruční lhůtě je kupující oprávněn požádat prodejce nebo **Zákaznické centrum BEKO** tel: 220 105 371 (800 350 333) <http://www.bekocr.cz/oprava-spotrebitce>.

g) Při návštěvě servisního technika kupující prokáže existenci záruky předložením čitelného prodejního dokladu nebo certifikátu 5 let záruky BEKO. Po provedení záruční opravy jsou autorizovaná servisní střediska nebo prodávající povinni vydat kupujícímu čitelnou kopii opravného listu nebo doklad o uplatnění práva záruky a době trvání opravy. Po dobu záruky je kupující povinen uschovat veškeré doklady související s koupí a servisem výrobku.

h) Opravní list slouží k prokazování práv kupujícího, proto je ve vlastním zájmu kupujícího si kontrolovat před podpisem veškeré údaje. Záruční lhůta se v případech, kdy závada znemožnila používání výrobku, prodlužuje o dobu, kdy kupující uplatnil nárok na záruční opravu u autorizovaného střediska až do dne převzetí opraveného výrobku.

i) Výrobek musí být instalován a provozován podle návodu k obsluze a platných norem. Funkce chladniček, mrazniček a jiných kombinací je zaručena při okolní teplotě od +10°C do +32°C.

j) Touto zárukou nejsou dotčena práva kupujícího, která se ke koupi věci vází podle zvláštních právních předpisů.

k) Společnost BEKO Spolka Akcyjna, org. sl. Lužná 716/2, 160 00 Praha 6 – Vokovice nabízí spotřebitelům na vybrané modely prodlouženou záruku v celkové délce trvání 5 let. Předmětem této nadstandardní záruky je bezplatné odstraňování výrobních vad po dobu následujících 36 měsíců od skončení zákonné dvouleté záruční lhůty.

- l) Podmínkou získání certifikátu prodloužené záruky je splnění veškerých podmínek uvedených na [www.bekocr.cz](http://www.bekocr.cz).
- m) O odstranění vad výrobku v prodloužené záruční lhůtě je kupující oprávněný požádat Zákaznické centrum BEKO tel: 220 105 371 (800 350 333) <http://www.bekocr.cz/oprava-spotrebice> .
- n) Při opravě v rámci prodloužené záruky je uživatel povinen autorizovanému servisu předložit platný certifikát prodloužené záruky a prodejní doklad.
- o) V době trvání prodloužené záruky bude oprávněná reklamacie řešena opravou nebo dodáním náhradního dílu. V případě neodstranitelné vady zajistí dovozce přímo u zákazníka výměnu výrobku za nový. Nárok na výměnu uplatňuje zákazník po zaslání všech potřebných dokladů /platný certifikát, doklad o zakoupení, vyjádření servisního technika/ na e-mail: [reklamace@bekosa.cz](mailto:reklamace@bekosa.cz) nebo poštou na adresu BEKO Spolka Akcyjna, org. sl. Lužná 716/2, 160 00 Praha 6 – Vokovice. Spotřebitel nemá právo v průběhu prodloužené záruky na vrácení kupní částky. Uplatnění práva na bezplatné odstraňování výrobních vad podléhá zde uvedeným všeobecným záručním podmínkám.

**Právo na uplatnění záruky zaniká pokud:**

- není výrobek používán v souladu s návodem
- došlo k mechanickému poškození výrobku cizím zaviněním, při nesprávné údržbě nebo jiným zanedbáním péče o výrobek
- byl na výrobku proveden neodborný zásah neoprávněnou osobou
- plynově spotřebiče nebo spotřebiče s napájením 400V nebyly uvedeny do provozu odbornou firmou
- došlo k mechanickému poškození při přepravě
- je vada způsobená vnějšími podmínkami, jako jsou např. poruchy v elektrické síti nebo vadná bytová instalace, nevhodnými provozními podmínkami, poškození živlem
- je výrobek vadný z důvodu použití neoriginálního příslušenství a náhradních dílů
- kuchyňská linka, do které je výrobek zabudovaný, nesplňuje technické parametry
- záruka se dále nevztahuje na preventivní údržbu popsanou v návodu k obsluze, popřípadě závady způsobené nevhodnou manipulací, na opotřebení vzniklé běžným používáním, mechanické poškození skleněných a plastových komponentů
- záruka se nevztahuje na návštěvu technika za účelem poradenství, preventivní kontrolu stavu spotřebiče, výměnu náhradního dílu, který nevyžaduje odborný zásah, záměna směru otírání dveří chladniček

# Пожалуйста, сначала внимательно прочитайте данное руководство!

Уважаемый покупатель!

Благодарим Вас за то, что отдали предпочтение изделию Веко. Мы надеемся, что вы получите наилучшие результаты от его использования: прибор был изготовлен с обеспечением высокого качества на базе новейших технологий. Поэтому внимательно прочитайте данное руководство пользователя и все другие сопроводительные документы перед использованием устройства. Рекомендуется сохранить данный документ в качестве справочного пособия для дальнейшего использования. При передаче устройства какому-либо другому лицу приложите к нему руководство пользователя. Соблюдайте все предупреждения и информацию в руководстве пользователя.

## Значения Символов

В различных разделах данного руководства пользователя используются следующие обозначения:

	Важная информация и полезные советы по использованию.
	Предупреждения о ситуациях, опасных для жизни и имущества.
	Предупреждение о горячих поверхностях.
	Предупреждение об опасности поражения электрическим током.
	Предупреждение об опасности пожара.



Данный электроприбор произведен на экологически чистых современных заводах, без причинения вреда природе.



# 1 Важные инструкции по безопасности и охране окружающей среды

**Важные инструкции по технике безопасности**  
**Внимательно прочитайте и сохраните инструкции для дальнейшего использования.**

## 1.1 Предупреждение о соблюдении техники безопасности

Этот раздел содержит инструкции по технике безопасности, которые помогут защититься от риска пожара, поражения электрическим током, вредного воздействия в результате утечки микроволновой энергии, травм или повреждения имущества. В случае неисполнения данных инструкций гарантия аннулируется.

- Микроволновая печь Веко соответствует действующим стандартам безопасности. Поэтому, во избежание опасности, в случае повреждения прибора или кабеля питания необходим их ремонт/замена дилером, сервисным центром, специалистом или аналогичной авторизованной сервисной службой. Некачественный или неквалифицированный ремонт может повлечь риски и представлять опасность для потребителя.
- Прибор предназначен для использования в домашних условиях и для схожих целей, например:
  - поварским персоналом в магазинах, офисах и других рабочих средах;
  - Фермы

# 1 Важные инструкции по безопасности и охране окружающей среды

- Постояльцами в гостиницах и других жилых средах;
- В заведениях типа «ночлег и завтрак».
- Она не пригодна для промышленного или лабораторного использования.
- Не пытайтесь запустить печь, когда ее дверца открыта, иначе вы можете подвергнуться вредному воздействию микроволновой энергии. Запрещается отключать или взламывать предохранительные замки.
- Микроволновая печь предназначена для подогрева продуктов питания и напитков. Сушка продуктов или одежды, а также подогрев грелок, тапочек, губок, влажных тканей и аналогичных предметов может привести к риску получения травм, возгоранию или пожару.
- Не помещайте никакие предметы между лицевой стороной и дверцей печи. Не допускайте скопления грязи или остатков чистящего средства на закрывающих поверхностях.
- Любые работы по обслуживанию, связанные со снятием крышки, обеспечивающей защиту от воздействия микроволновой энергии, должны выполняться уполномоченными лицами/сервисным центром. Любое другое вмешательство опасно.
- Ваш продукт предназначен для приготовления, разогрева и размораживания продуктов в домашних условиях. Его нельзя использовать в коммерческих целях.
- Ваша печь не предназначена для сушки живых существ.

# 1 Важные инструкции по безопасности и охране окружающей среды

- Не используйте прибор для сушки одежды или кухонных полотенец.
- Не используйте этот прибор на открытом воздухе, в ваннных комнатах, во влажной среде или в местах, где он может намокнуть.
- Никакая ответственность или гарантийные претензии не принимаются за ущерб, возникший в результате неправильного использования или неправильного обращения с прибором.
- Не пытайтесь проводить ремонт прибора самостоятельно. Претензии по гарантии не принимаются в случае повреждений, вызванных ненадлежащим обращением.
- Используйте только оригинальные детали или детали, рекомендованные производителем.
- Не оставляйте изделие без присмотра во время работы.
- Всегда используйте прибор на устойчивой, ровной, чистой, сухой и нескользкой поверхности.
- Запрещается использовать прибор с внешним таймером или отдельной системой дистанционного управления.
- Перед первым использованием прибора очистите все детали. Смотрите подробности, приведенные в разделе «Очистка и обслуживание».
- Используйте прибор строго по назначению, как описано в данном руководстве.
- Во время работы прибор сильно нагревается. Следите за тем, чтобы не прикасаться к горячим частям внутри печи.
- Не допускайте работы печи, когда она пустая.

# 1 Важные инструкции по безопасности и охране окружающей среды

- Посуда может нагреться из-за тепла, передаваемого от нагретой пищи к посуде. Вам могут понадобиться перчатки для печи, чтобы держать посуду.
- Необходимо проверять, подходит ли посуда для ее помещения в микроволновую печь.
- Не ставьте печь на плиты или другие приборы, вырабатывающие тепло. В противном случае она может быть повреждена, и гарантия станет недействительной.
- При открытии крышек или фольги после приготовления пищи может выходить пар.
- Во время использования прибор и его доступные поверхности могут быть очень горячими.
- Дверца и внешнее стекло могут быть очень горячими во время использования прибора.
- Убедитесь, что ваш сетевой блок питания соответствует требованиям, приведенным на табличке прибора.
- Единственный способ отключить прибор от электросети - вынуть вилку из розетки.
- Используйте прибор только с заземленной розеткой.
- Никогда не используйте оборудование, если поврежден кабель питания или сам прибор.
- Не используйте прибор с удлинителем.
- Никогда не прикасайтесь к устройству или его вилке влажными или мокрыми руками.
- Размещайте прибор таким образом, чтобы всегда обеспечивался доступ к вилке.

# 1 Важные инструкции по безопасности и охране окружающей среды

- Не допускайте повреждения кабеля питания: не сжимайте, не сгибайте и не допускайте его трения об острые предметы. Держите кабель питания вдали от горячих поверхностей и открытого пламени.
- Убедитесь, что нет опасности, что шнур питания может быть случайно выдернут или кто-то может споткнуться о него во время использования прибора.
- Отключайте прибор от сети перед каждой чисткой и в нерабочее время.
- Не тяните за шнур питания устройства, чтобы отключить его от источника питания, и никогда не наматывайте шнур питания вокруг устройства.
- Не погружайте прибор, шнур питания или вилку в воду или другие жидкости. Не держите его под струей воды.
- В случае подогревания продуктов в пластиковых или бумажных контейнерах следить за печью в связи с возможностью воспламенения.
- Перед помещением пакетов в печь снимите проволочные завязки и/или металлические ручки с бумажных или пластиковых пакетов.
- Если наблюдается дым, выключите или отключите прибор от сети, если это безопасно, и держите дверцу закрытой, чтобы погасить пламя.
- Не используйте микроволновую печь для хранения. Не оставляйте бумажные предметы, продукты для приготовления пищи или продукты внутри печи, когда она не используется.

# 1 Важные инструкции по безопасности и охране окружающей среды

- Содержимое бутылочек для кормления и банок с детским питанием должно быть перемешано, либо необходимо встряхнуть эти бутылочки или баночки, а также перед употреблением следует проверить температуру во избежание ожогов.
- Данное изделие относится к оборудованию ПНМ Группы 2 Класса В. Группы 2, включает все оборудование ПНМ (ISM, Industrial, Scientific and Medical / промышленное, научное и медицинское), в котором радиочастотная энергия генерируется и / или используется в форме электромагнитного излучения для обработки материалов, а также электроэрозионное оборудование.
- Оборудование класса В подходит для использования в домашних условиях и в учреждениях, напрямую подключенных к низковольтной электросети.
- Не используйте растительное масло в печи. Горячее масло может повредить компоненты и материалы печи и даже вызвать ожоги кожи.
- Прокалывайте продукты с толстой коркой, например картофель, кабачки, яблоки и каштаны.
- Прибор нужно ставить тыльной стороной к стене.
- Перед перемещением прибора зафиксируйте тарелку, чтобы не повредить ее.
- Яйца в скорлупе и яйца, сваренные вкрутую, не следует подогревать в микроволновой печи, так как они могут взорваться (даже после завершения подогрева).

# 1 Важные инструкции по безопасности и охране окружающей среды

**ПРЕДУПРЕЖДЕНИЕ:** Если дверцы или дверные уплотнения повреждены, эксплуатация печи не допускается, пока она не будет отремонтирована квалифицированным специалистом.

**ПРЕДУПРЕЖДЕНИЕ:** Осуществление обслуживания или иных ремонтных операций, предполагающих снятие крышки, предназначенной для защиты от воздействия микроволновой энергии, лицом, не являющимся компетентным специалистом, представляет опасность.

**ПРЕДУПРЕЖДЕНИЕ:** Жидкости и другие продукты не должны подогреваться в плотно закрытых контейнерах, так как последние могут взорваться.

- Чистка данной печи должна осуществляться регулярно, при этом необходимо удалять любые остатки продуктов.
- Над верхней поверхностью печи должно быть не менее 20 см свободного пространства.
- Не переваривайте пищу, иначе вы можете вызвать пожар.
- Не используйте химические вещества и чистящие средства с паром для очистки прибора.
- Рекомендуется соблюдать крайнюю осторожность при использовании рядом с детьми и людьми с ограниченными физическими, сенсорными или умственными способностями.

# 1 Важные инструкции по безопасности и охране окружающей среды

- Этим прибором могут пользоваться дети в возрасте 8 лет и старше, а также люди с ограниченными физическими, сенсорными или умственными способностями или люди, не обладающие знаниями и опытом, если они находятся под присмотром в отношении безопасного использования продукта или если они проинструктированы соответствующим образом или осознают риски использования продукта. Дети не должны играть с данным прибором. Дети не должны выполнять процедуры очистки и технического обслуживания, если они не находятся под контролем старших.
- **Опасность удушья!** Храните все упаковочные материалы в недоступном для детей месте.
- Из-за чрезмерного нагрева, возникающего в режиме гриля и комбинированном режиме, детям разрешается использовать эти режимы только под присмотром взрослых.
- Храните изделие и шнур питания в недоступном для детей младше 8 лет месте.
- Не готовьте еду прямо на стеклянной тарелке. Поместите продукты в соответствующие кухонные принадлежности, прежде чем помещать их в печь.
- Использование металлических контейнеров для еды и напитков во время приготовления в микроволновой печи запрещено. В противном случае может возникнуть искрение.
- Микроволновую печь нельзя размещать в шкафу, который не соответствует инструкциям по установке.



# 1 Важные инструкции по безопасности и охране окружающей среды

- Микроволновая печь предназначена только для встраивания.
- Если встраиваемые приборы используются на высоте 900 мм над полом или выше, следует соблюдать осторожность, чтобы не сместить поворотную тарелку при извлечении контейнеров из прибора.
- Если встраиваемый продукт находится в шкафу с дверцей, продукт должен работать с открытой дверцей шкафа.

## 1.2 Соответствие требованиям Директивы WEEE (директива ЕС об отходах электрического и электронного оборудования) и утилизация отработавшего прибора:

Данное устройство соответствует Директиве ЕС WEEE по ограничению использования вредных веществ (2012/19/EU). Данный прибор имеет классификационный знак для отработанного электрического и электронного оборудования (WEEE).



Такой знак означает, что после завершения эксплуатации прибор запрещается выбрасывать вместе с прочими бытовыми отходами. Использованное устройство необходимо вернуть в официальный пункт приема утилизируемых электрических и электронных устройств. Чтобы найти такие системы приема утиля, обратитесь в местные уполномоченные органы или к розничным продавцам, у которых был приобретен продукт. Каждое домашнее хозяйство выполняет важную роль в восстановлении и утилизации старого оборудования. Надлежащая утилизация отработавшего устройства позволяет предотвратить возможные негативные последствия для окружающей среды и здоровья человека.

## 1.3 Соответствие требованиям Директивы RoHS

Приобретенный Вами прибор соответствует требованиям Директивы RoHS EC (2011/65/EU). В нем не содержится вредных и запрещенных материалов, указанных в данной Директиве.

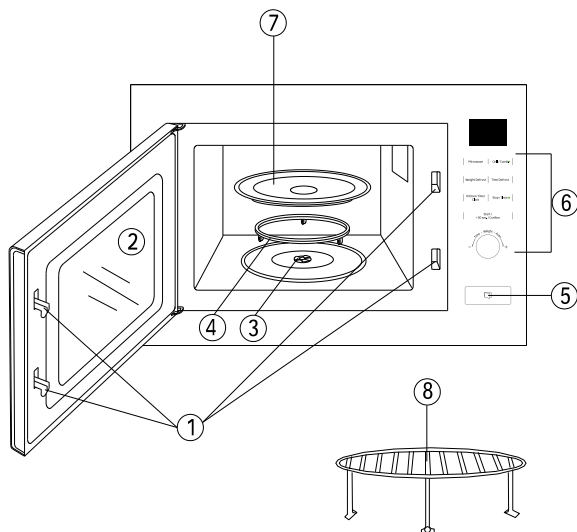
## 1.4 Информация об упаковке



Материалы упаковки устройства произведены из перерабатываемого сырья в соответствии с нашими национальными нормами по защите окружающей среды. Запрещается выбрасывать упаковочные материалы вместе с бытовыми и другими отходами. Отправьте их в точки сбора упаковочных материалов, указанные местными органами власти.

## 2 Ваша микроволновая печь

### 2.1 Обзор



1. Система предохранительной блокировки дверцы
2. Окно печи
3. Шпиль поворотного подноса
4. Поворотный ролик
5. Кнопка открытия дверцы
6. Панель управления
  - Microwave
  - Grill / Combi.
  - Weight Defrost
  - Time Defrost
  - Kitchen Timer Clock
  - Stop / Clear
  - Start/+30Sec./Confirm
  - Time / Weight / Auto
7. Стеклокерамическая тарелка
8. Подставка для гриля (Не может использоваться в микроволновой печи и должен быть помещен на стеклянный поднос).

### 2.2. Технические данные

<b>Потребляемая мощность</b>	230 V~50 Hz, 1270 W (Микроволновая печь) 1000 W (Гриль)
<b>Вывод</b>	800 W
<b>Рабочая частота</b>	2450 MHz
<b>Внешние размеры (ВхШхГ) мм</b>	387x594x333
<b>Вместимость печи</b>	20 литра
<b>Масса нетто</b>	16.5 кг
<b>Цвет</b>	Черный

Права на технические и дизайнерские изменения защищены.

Маркировка на приборе или значения, указанные в других прилагаемых к нему документах, получены в лабораторных условиях согласно соответствующим стандартам. Эти значения могут меняться в зависимости от использования прибора и условий окружающей среды. Значения мощности проверены при 230 В.

## 3 Установка и соединение

### 3.1 Инструкции по установке

- Соблюдайте специальные инструкции по установке.
- Прибор можно установить в навесной шкаф шириной 60 см.
- В данном устройстве имеется штепсель, который должен включаться в должным образом заземленную розетку.
- Напряжение сети должно соответствовать напряжению, указанному на заводской табличке.
- Розетка должна быть установлена, а соединительный кабель заменен только квалифицированным электриком. Если после установки штепсель уже недоступен, на установочной площадке должен быть в наличии полюсный разъединитель с зазором между контактами не менее 3 мм.



#### **ПРЕДУПРЕЖДЕНИЕ:**

Запрещается использовать переходники, тройники, и удлинительные шнуры. Перегрузка может привести к возгоранию.

### 3.2 Электрическое подключение

- В данном устройстве имеется штепсель, который должен включаться в должным образом заземленную розетку.
- Только квалифицированный электрик, который принимает во внимание соответствующие правила, может установить розетку или заменить соединительный кабель.
- Если после установки вилка становится недоступной, со стороны установки должен быть установлен переключатель на всех полюсах с зазором между контактами не менее 3 мм.

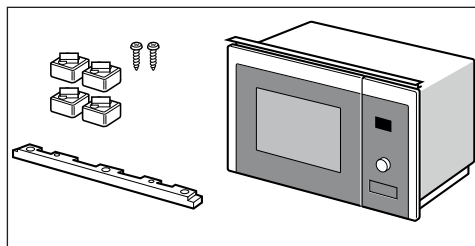
- Защита контактов должна быть обеспечена установкой.

### 3.3 Устройство в настенном блоке

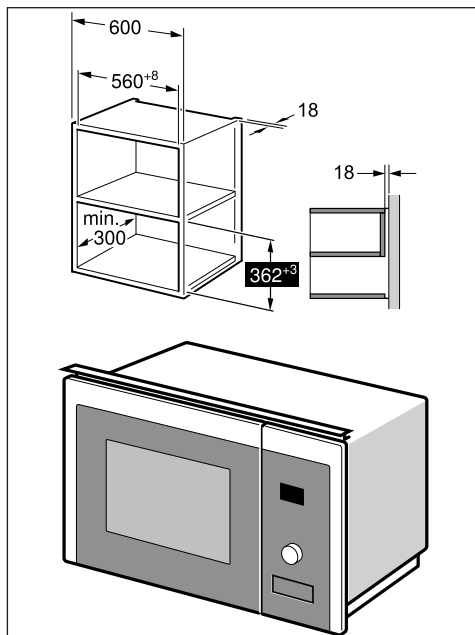
У установленного шкафа не должно быть задней панели за прибором.

Минимальная высота установки: 850 мм. Не закрывайте вентиляционные отверстия и воздухозаборники.

Детали:



#### Устройство в настенном блоке



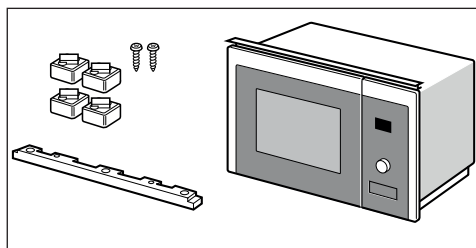
## 3 Установка и соединение

### 3.4 Устройство в высоком блоке

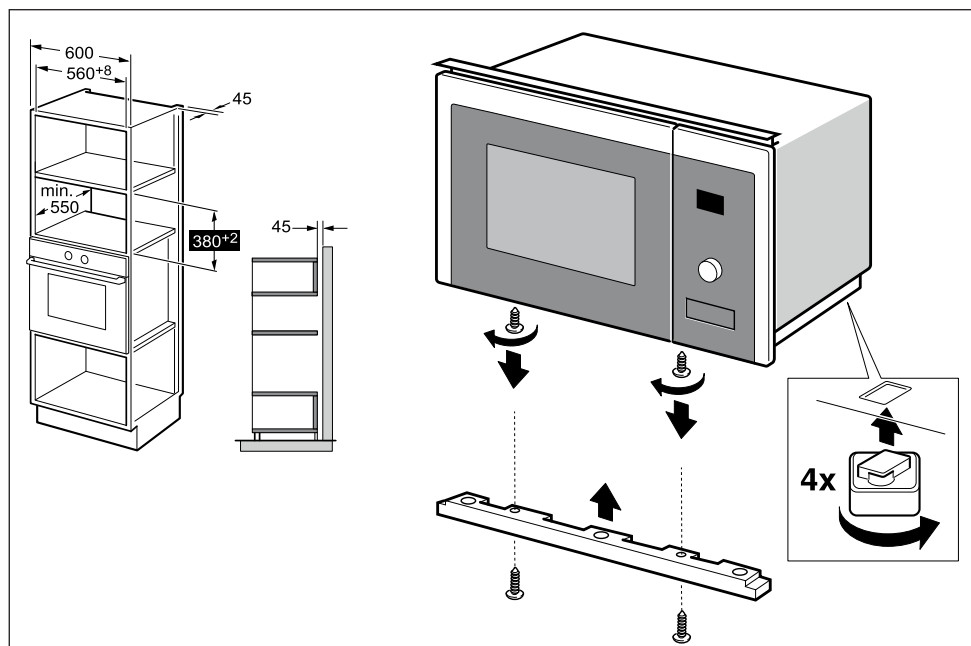
У установленного шкафа не должно быть задней панели за прибором.

Минимальная высота установки: 850 мм. Не закрывайте вентиляционные отверстия и воздухозаборники.

**Детали:**



**Устройство в высоком блоке**

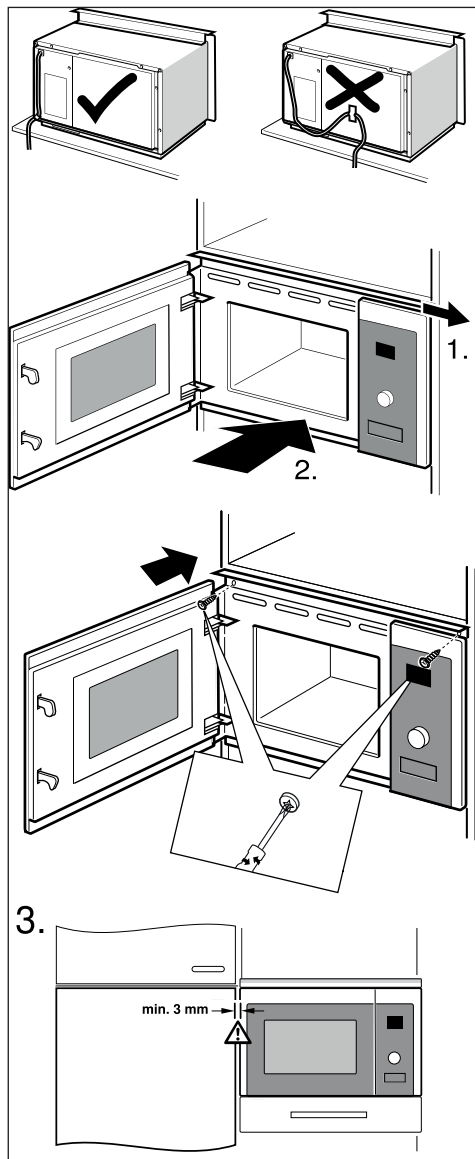


## 3 Установка и соединение

### 3.5 Установка печи



**ПРЕДУПРЕЖДЕНИЕ:** Не допускайте заземления и перегибов сетевого кабеля.



### 3.6 Установка поворотного ролика

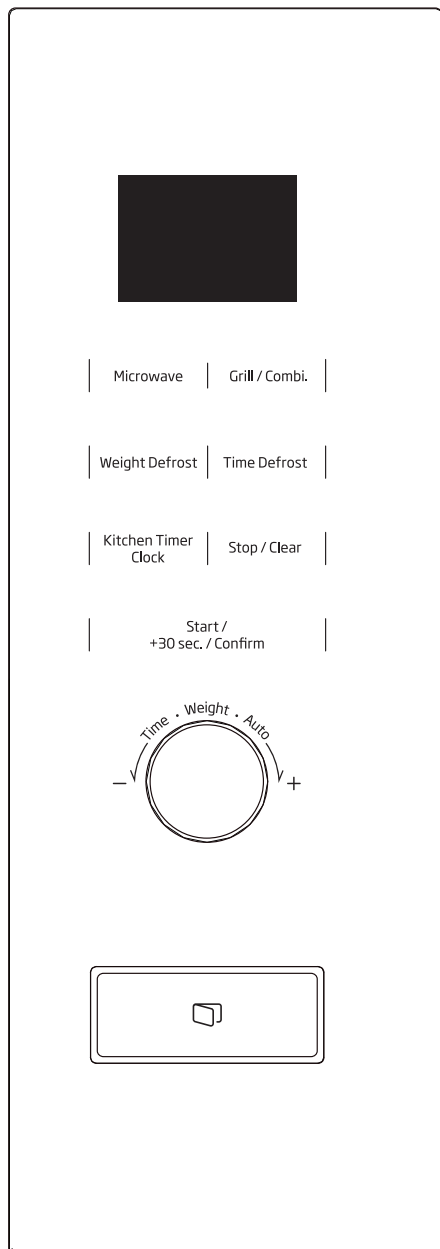
- Не устанавливайте стеклянный поднос вверх дном. Не зажимайте его.
- Во время приготовления всегда следует использовать как стеклянный поднос, так и подставку для поворотного ролика.
- Продукты в контейнерах должны помещаться на стеклянный поднос.
- Если стеклянный поднос или опора поворотного ролика треснуты или разбиты, обратитесь в ближайший авторизованный сервисный центр.

Втулка (нижняя часть)



## 4 Использование

### 4.1 Панель управления



### 4.2 Установка времени

Когда микроволновая печь будет подключена к источнику питания, на печи отобразятся цифры «0:00», и будет подан однократный звуковой сигнал. Печь перейдет в состояние ожидания.

1. Дважды нажмите «Kitchen Timer/Clock», и цифры часов начнут мигать.
2. Поверните «Time / Weight / Auto», чтобы настроить час, вводимое значение должно быть от 0 до 23.
3. Нажмите «Kitchen Timer/Clock», и цифры минут начнут мигать.
4. Поверните «Time / Weight / Auto», чтобы настроить минуты, вводимое значение должно быть от 0 до 59.
5. Нажмите «Kitchen Timer/Clock», чтобы завершить установку времени. Символ «:» замигает, и отобразится время.



Если часы не будут настроены, то они не будут функционировать во время работы.

### 4.3 Приготовление пищи в микроволновой печи

1. Нажмите кнопку «Microwave» один раз, и на дисплее появится «P100».
2. Снова нажмите «Microwave» или поверните «Time / Weight / Auto», чтобы выбрать желаемую мощность. Каждый раз, когда вы нажимаете кнопку, будут отображаться «P100», «P80», «P50», «P30» или «P10» соответственно.
3. Нажмите «Start/+30 Sec./Confirm», чтобы подтвердить желаемую мощность.

## 4 Использование

4. Поверните «Time / Weight / Auto», чтобы установить время приготовления в диапазоне от 0:05 до 95:00.
  5. Снова нажмите «Start/+30 Sec./Confirm», чтобы начать приготовление.
  6. Время на экране начинает обратный отсчет.
  7. После завершения процесса можно услышать звуковой сигнал.
- Шаги по настройке времени в кнопке кодирования приведены ниже:

Настройка длительности	Прибавление
0-1 минута	5 секунд
1-5 минут	10 секунд
5-10 минут	30 секунд
10-30 минут	1 минута
30-95 минут	5 минут

Таблица мощностей микроволнового нагрева

Мощность микроволнового нагрева	Высокий уровень	Сред. Высокий	Сред.	Сред. Низкий уровень	Низкий уровень
Экран	P100	P80	P50	P30	P10

### 4.4 Гриль и комбинированное приготовление

1. Нажмите один раз «Grill/Combi.», на экране отобразится «G».
2. Нажмите несколько раз или поверните «Time / Weight / Auto», чтобы выбрать желаемую мощность, и отобразятся «G», «C-1» или «C-2».
3. Нажмите «Start/+30Sec./Confirm», чтобы подтвердить мощность.
4. Поверните «Time / Weight / Auto», чтобы установить время приготовления. (Максимальное время приготовления составляет 95 минут)
5. Нажмите еще раз «Start / +30Sec. / Confirm» для начала готовки.
6. Время на экране начинает обратный отсчет.
7. После завершения процесса можно услышать звуковой сигнал.

#### Инструкции Комбинированная Мощность

Программа	Экран	Мощность микроволнового нагрева	Мощность гриля
Гриль	G	0%	100%
Combi.1	C-1	55%	45%
Combi.2	C-2	36%	64%

## 4 Использование



после истечения половины установленного времени на гриле будет два раза подан звуковой сигнал, это нормально. Для обеспечения лучшего эффекта приготовления пищи на гриле следует перевернуть блюдо, закрыть дверцу и нажать «Start/+30Sec./Confirm», чтобы продолжить процесс приготовления. Если не будет выполнена какая-либо иная операция, печь продолжит работу.



После истечения половины установленного времени размораживания будет два раза подан звуковой сигнал, это нормально. Для обеспечения лучшего эффекта размораживания пищи следует перевернуть блюдо, закрыть дверцу и нажать «Start/+30Sec./Confirm», чтобы продолжить процесс приготовления. Если не будет выполнена какая-либо иная операция, печь продолжит работу.

### 4.5 Размораживание по весу

- 1.Нажмите кнопку «Weight Defrost» один раз, на экране отражается «dEF1».
- 2.Поверните «Time / Weight / Auto», чтобы выбрать вес продукта. Диапазон веса 100-2000г.
- 3.Нажмите «Start/+30Sec./Confirm» для начала разморозки.
- 4.Время на экране начинает обратный отсчет.
- 5.После завершения процесса можно услышать звуковой сигнал.

### 4.6 Размораживание по времени

- 1.Нажмите кнопку «Time Defrost» один раз, на экране отражается «dEF2».
- 2.Поверните «Time / Weight / Auto», чтобы выбрать время приготовления. Максимальное время составляет 95 минут.
- 3.Нажмите «Start/+30Sec./Confirm» для начала разморозки.
- 4.Время на экране начинает обратный отсчет.
- 5.После завершения процесса можно услышать звуковой сигнал.



## 4 Использование



После истечения половины установленного времени размораживания будет два раза подан звуковой сигнал, это нормально. Для обеспечения лучшего эффекта размораживания пищи следует перевернуть блюдо, закрыть дверцу и нажать « Start/+30Sec./Confirm », чтобы продолжить процесс приготовления. Если не будет выполнена какая-либо иная операция, печь продолжит работу.

### 4.7 Многоступенчатое приготовление

Максимально можно установить 2 ступени. Если одна ступень является разморозкой, она должна быть автоматически переведена на первую. Зуммер прозвонит один раз после каждого этапа, и начнется следующий этап.



Автоматическое меню и быстрое приготовление нельзя установить как одно из многоступенчатых.

**Пример:** Если вы хотите разморозить пищу в течение 5 минут, а затем приготовить при мощности микроволн 80% в течение 7 минут.

#### Шаги следующие:

- 1.Нажмите кнопку «Time Defrost » один раз, на экране отражается «dEF2».
- 2.Поверните «Время / Вес / Авто», чтобы настроить время разморозки на 5 минут.

- 3.Однократно нажмите «Microwave» , на экране отобразится «P100» .
- 4.Нажимайте «Микроволновая печь» несколько раз, чтобы выбрать мощность микроволн до появления «P80»;
- 5.Нажмите « Start/+30Sec./Confirm » для начала подтверждения.
- 6.Поверните «Time / Weight / Auto», чтобы настроить время приготовления на 7 минут.
- 7.Нажмите « Start/+30Sec./Confirm » для начала готовки.
- 8.После завершения процесса можно услышать звуковой сигнал.

### 4.8 Кухонный таймер

- 1.Нажмите «Kitchen Timer/Clock» один раз, на экране отобразится «00:00».
- 2.Поверните «Time / Weight / Auto», чтобы ввести правильный таймер. (Максимальное время приготовления составляет 95 минут)
- 3.Нажмите « Start/+30Sec./Confirm » для начала подтверждения.
- 4.Время на экране начинает обратный отсчет.
- 5.После завершения процесса можно услышать звуковой сигнал.

### 4.9 Авто меню

- 1.В состоянии ожидания поверните вправо «Time / Weight / Auto», чтобы выбрать меню. На экране отобразится «A 1».
- 2.Поверните «Time / Weight / Auto», чтобы выбрать нужное меню, отобразится от «A 1» до «A 8».

## 4 Использование

- 3.Нажмите «Start/+30Sec./Confirm», чтобы подтвердить меню.
- 4.Поверните «Time / Weight / Auto», чтобы выбрать вес продукта.
5. Нажмите еще раз «Start / +30Sec. / Confirm» для начала готовки.
- 6.Время на экране начинает обратный отсчет.
- 7.После завершения процесса можно услышать звуковой сигнал.

### Таблица меню:

Меню	Вес	Мощность
А 1 - Пицца	200 г	100% (Мик.)
	400 г	
А 2 - Мясо	250 г	100% (Мик.)
	350 г	
	450 г	
А 3 - Овощи	200 г	100% (Мик.)
	300 г	
	400 г	
А 4 - Паста	50 г (с 450 г холодной воды)	80% (Мик.)
	100 г (с 800 г холодной воды)	
А 5 - Картошка	200 г	100% (Мик.)
	400 г	
	600 г	
А 6 - Рыба	250 г	80% (Мик.)
	350 г	
	450 г	
А 7 - Напитки	1 чашка (около 120 мл)	100% (Мик.)
	2 чашки (около 240 мл)	
	3 чашки (около 360 мл)	

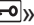
А 8 - Попкорн	50 г	100% (Мик.)
	100 г	

### 4.10 Быстрое приготовление

- 1.В состоянии ожидания нажмите кнопку «Start/+30Sec./Confirm», чтобы готовить на уровне мощности 100% в течение 30 секунд. Каждое нажатие на одну и ту же клавишу может увеличиваться на 30 секунд. Максимальное время приготовления составляет 95 минут.
- 2.Во время режима микроволновой печи, гриля, комбинированного приготовления и размораживания по времени нажмите «Start/+30Sec./Confirm», чтобы увеличить время приготовления.
- 3.В режимах автоматического меню и размораживания по весу время приготовления не может быть увеличено нажатием «Start/+30Sec./Confirm».
- 4.В состоянии ожидания поверните влево «Time / Weight / Auto», чтобы выбрать время приготовления. После настройки времени приготовления нажмите «Start/+30Sec./Confirm», чтобы начать приготовление в микроволновой печи с помощью рычага 100% мощности.

## 4 Использование

### 4.11 Функция блокировки от детей

**Запирание:** В состоянии ожидания нажмите «STOP/Clear» в течение 3 секунд, чтобы войти в состояние блокировки от детей, и текущее время будет отображаться, если время было установлено, в противном случае на экране отобразится «».

**Отпирание:** В заблокированном состоянии нажмите «STOP/Clear» в течение 3 секунд, блокировка будет снята.

### 4.12 Отражение функций на экране

1. В состояниях приготовления микроволновой печи или гриля и комбинации. Нажмите «Microwave» или «Grill/Combi», текущая мощность будет отображаться в течение 3 секунд.
2. Если часы были установлены, во время приготовления нажмите «Kitchen Timer/Clock», чтобы проверить текущее время. Оно будет отображаться в течение 3 секунд.

### 4.13 Спецификация

1. Если в процессе приготовления дверца открылась, закройте дверцу и нажмите «Start/+30Sec./Confirm», чтобы продолжить приготовление.
2. После установки программы приготовления «Start/+30Sec./Confirm» не будет нажиматься в течение 1 минуты. Будет отображено текущее время. Настройка будет отменена.

3. Зуммер звучит один раз при эффективном нажатии, на неэффективное нажатие не реагирует.

## 5 Советы по приготовлению

Данные советы помогут Вам лучше приготовить продукты в микроволновой печи:

### Распределение продуктов

Равномерно распределяйте продукты, толстые продукты располагайте по краям блюда. Не допускайте наложения продуктов друг на друга, если это возможно.

### Время приготовления

Включите микроволновую печь на минимальное время, оцените результат по истечении времени и, в случае необходимости, увеличьте время. Слишком длительное приготовление продуктов может привести к образованию дыма и пригоранию.

### Переворачивание продуктов

Такие продукты, как цыпленок, гамбургеры или стеки, нужно обязательно переворачивать во время приготовления.

В зависимости от вида продуктов, если это применимо, перемешивайте их от центра блюда один или два раза во время приготовления

### Остывание блюда

После завершения приготовления оставьте блюдо в печи на достаточное время, это позволит завершить цикл приготовления и постепенно охладить блюдо.

### Проверка блюда на готовность

Цвет и жесткость блюда помогают определить степень его готовности. Признаки готовности блюда:

- Пар выходит повсюду, а не из краев
- Ножки курицы легко отделяются
- Свинина и мясо птицы румяного запеченного цвета

- Рыба темного цвета и легко отделяется вилкой

### Посуда для жарки

Используя посуду для жарки или поддержания тепла, чтобы не повредить стеклянный поддон или кольцо вращения, подкладывайте под него термостойкий изоляционный материал (например, керамическую тарелку).

### Пластиковая обертка для микроволновой печи

Если пища жирная, не оборачивайте соприкосновения с ней пластиковой обертки, иначе последняя может плавиться

### Пластиковая посуда, безопасная для использования в микроволновой печи

Некоторая посуда не подходит для приготовления пищи с высоким содержанием жира или сахара. Не превышайте времени приготовления блюда, указанного в книге рецептов.

## 6 Руководство по посуде

### 6.1 Материалы, которые можно использовать в микроволновой печи, и использования которых в микроволновой печи следует избегать.



Опасность персональных травм Осуществление обслуживания или иных ремонтных операций, предполагающих снятие крышки, предназначенной для защиты от воздействия микроволновой энергии, лицом, не являющимся компетентным специалистом, представляет опасность.

См. раздел «Материалы, которые можно использовать в микроволновой печи, и использования которых в микроволновой печи следует избегать». Существует неметаллическая посуда, использование которой для подогрева в микроволновой печи может представлять опасность. В случае возникновения сомнений Вы можете протестировать посуду, выполнив нижеуказанную процедуру.

#### Тестирование посуды:

1. Налейте контейнер, безопасный для использования в микроволновой печи, 1 чашку холодной воды (250 мл), поместите в него тестируемую посуду.
2. Готовьте на максимальной мощности в течение 1 мин.
3. Осторожно дотроньтесь до тестируемой посуды. Если пустая посуда теплая, она не пригодна для использования.
4. Не превышайте время теста: 1 мин

Материалы, пригодные для использования в микроволновой печи	
Посуда	Примечания
Алюминиевая фольга	Только для экранирования. Небольшие кусочки фольги можно использовать для покрытия мяса или свинины, чтобы они не подгорели. При использовании фольги, если она слишком близко от стенок печи, может появиться искрение. Фольга должна быть на расстоянии минимум 2.5см от стенок печи.
Посуда для жарки	Следуйте инструкциям производителя. Дно посуды для жарки должно располагаться на высоте 5мм над поворотным подносом. В противном случае он может повредиться.
Столовая посуда	Только подходящая для использования в микроволновой печи. Следуйте инструкциям производителя. Не используйте треснувшую посуду или с отколовшимися кусочками.
Стеклянная банка	Всегда снимайте крышку. Используйте только для подогрева пищи. Большинство банок не термостойкие и могут треснуть.
Стеклянная посуда	Используйте только термостойкую посуду. Удостоверьтесь, что на ней нет металлических частей. Не используйте треснувшую посуду или с отколовшимися кусочками.
Пакет для готовки в печи	Следуйте инструкциям производителя. Не закрывайте пакет металлической проволокой. Сделайте отверстия для выхода пара.

## 6 Руководство по посуде

Бумажные тарелки и чашки	Используйте только для кратковременной готовки. Во время использования не оставляйте прибор без присмотра.
Бумажные полотенца	Накрывайте пищу во время повторного нагрева и для впитывания жира. Используйте только для кратковременной готовки.
Пергаментная бумага	Покрывайте пищу, чтобы брызги не попадали на стенки микроволновой печи. Заворачивайте пищу во время выпаривания.
Пластик	Только подходящая для использования в микроволновой печи. Следуйте инструкциям производителя. На посуде должна быть наклейка "Microwave safe" (Безопасно использовать в микроволновой печи). По мере нагревания пищи некоторые контейнеры размякнут. В «пакетах для кипячения» и в герметично закрытых пакетах должны быть прорезаны щели или проколоты отверстия, как указано.
Пластиковая плёнка	Только подходящая для использования в микроволновой печи. Покрывайте пищу для сохранения влаги во время готовки. Не допускается касание пластиковой плёнки продуктов.
Термометры	Только предназначенные для использования в микроволновых печах (термометры для измерения температуры мяса и сладостей).
Пропитанная воском бумага	Используется для предотвращения разбрызгивания и сохранения влаги.
<b>Материалы, непригодные для использования в микроволновой печи</b>	
Алюминиевый поднос	Может стать причиной возникновения электрической дуги. Переложите пищу в посуду для микроволновой печи.
Картонная пищевая упаковка с металлической ручкой	Может стать причиной возникновения электрической дуги. Переложите пищу в посуду для микроволновой печи.
Металлическая посуда или посуда с металлической отделкой	Металл не пропускает микроволновую энергию. Металлическая отделка может стать причиной возникновения электрической дуги.
Металлическая проволока	Может стать причиной возникновения электрической дуги и привести к пожару в микроволновой печи.
Бумажные пакеты	Может стать причиной возникновения пожара в микроволновой печи.
Пенопласт	При высокой температуре, пенопласт может расплавиться или испортить жидкость, которая в нем находится.
Деревянная посуда	При использовании деревянной посуды в микроволновой печи, она высыхает и может треснуть или расколоться.

# 7 Очистка и обслуживание

## 7.1 Очистка



**ПРЕДУПРЕЖДЕНИЕ:**

Никогда не используйте бензин, растворители, абразивные чистящие средства, металлические предметы или жесткие щетки для чистки прибора.



**ПРЕДУПРЕЖДЕНИЕ:**

Ни в коем случае не погружайте прибор или его кабель питания в воду или любую другую жидкость.

1. Выключите конвектор с помощью ручки включения / выключения питания и из розетки.
2. Подождите, пока устройство остынет.
3. Поддерживайте чистоту внутри печи. Вытирайте влажной тканью, если брызги пищи или пролитая жидкость прилипают к стенкам прибора. Если печь очень сильно загрязнена, можно воспользоваться мягким моющим средством. Избегайте использования спреев и других агрессивных чистящих средств, так как они могут вызвать появление пятен, следов и непрозрачность на поверхности двери.
4. Наружные поверхности прибора должны быть очищены влажной тканью. Не допускайте попадания воды из вентиляционных отверстий, чтобы не повредить рабочие части прибора.
5. Часто протирайте обе стороны двери и стекла, дверные прокладки и детали возле прокладок влажной тканью, чтобы удалить перелившиеся и разбрызгивающиеся пятна. Не используйте абразивные чистящие средства.
6. Не допускайте намокания панели управления. Протирайте ее мягкой влажной тканью. Оставьте дверцу прибора открытой, чтобы предотвратить случайное включение во время очистки панели управления.
7. Если внутри или вокруг дверцы прибора скапливается потение, протрите ее мягкой тканью. Скопление влаги может быть связано с эксплуатацией печи в условиях высокой влажности. Это нормальное явление.
8. В некоторых случаях может потребоваться снять стеклянный поднос для очистки. Промойте подставку в теплой мыльной воде или посудомоечной машине.
9. Также регулярно необходимо чистить роликовое кольцо и днище печи, чтобы избежать появления дополнительного шума.
10. Достаточно протереть нижнюю поверхность прибора мягким моющим средством. Роликовое кольцо можно мыть в теплой мыльной воде или в посудомоечной машине. При снятии роликового кольца с внутреннего пола прибора для очистки убедитесь, что вы устанавливаете его в правильном положении при замене.

## 7 Очистка и обслуживание

11. Чтобы удалить неприятный запах в вашем приборе, налейте стакан воды с соком и цедрой лимона в глубокую миску, подходящую для использования в микроволновой печи, и включите прибор в течение 5 минут в режиме микроволновой печи. Затем тщательно протрите внутренний шкаф мягкой тканью и просушите.
  12. Пожалуйста, обратитесь в авторизованный сервисный центр, если необходимо заменить лампу прибора.
  13. Чистка данной печи должна осуществляться регулярно, при этом необходимо удалять любые остатки продуктов. Если не содержать прибор в чистоте, это может вызвать дефекты поверхности, которые отрицательно скажутся на сроке службы прибора и могут вызвать риски.
  14. Пожалуйста, не выбрасывайте этот прибор вместе с бытовыми отходами, старые печи следует утилизировать в специальных центрах для сбора мусора, предоставленные муниципалитетами.
  15. Когда прибор используется в режиме гриля, может появиться небольшое количество дыма и запаха, которые исчезнут через определенное время использования.
- Храните его в месте, недоступном для детей.

### 7.3 Обращение и транспортировка

- Во время обработки и транспортировки переносите прибор в оригинальной упаковке.
- Упаковка устройства защищает его от физических повреждений.
- Не кладите тяжелые грузы на прибор или упаковку. Возможно повреждение прибора.

### 7.2 Хранение

- Если вы не собираетесь использовать прибор в течение длительного времени, храните его осторожно.
- Убедитесь, что прибор отключен от сети, остыл и полностью высох.
- Храните прибор в прохладном и сухом месте.



## 8 Устранение неисправностей

Норма	
Микроволновая печь мешает телевизионному приему	Использование микроволновой печи может вызвать помехи в работе радио и телевизора. Схожие помехи вызывают небольшие электроприборы, такие как, миксер, пылесос, фен. Это нормально.
Свет в печи тусклый	При приготовлении на низком уровне мощности, свет микроволновой печи может потускнеть. Это нормально.
На дверце конденсируется пар, из вентиляционных отверстий выходит горячий воздух.	Во время приготовления пищи может образовываться пар. Большая часть этого пара будет выходить из вентиляционных отверстий. Небольшое количество пара может конденсироваться в прохладном месте, например, на дверце. Это нормально.
Случайное включение пустой микроволновой печи.	Запрещается включать печь, когда она пуста. Это очень опасно.

Неисправность	Возможная причина	Решение
Микроволновая печь не включается.	1) Кабель питания вставлен неправильно.	Извлеките его. Затем повторно вставьте его через 10 секунд.
	2) Перегорел предохранитель или сработал автоматический выключатель.	Замените предохранитель или повторно включите автоматический выключатель (отремонтированный квалифицированным специалистом нашей компании)
	3) Проблема со штепсельной розеткой	Проверьте исправность розетки с помощью других электроприборов.
Микроволновая печь не греет	4) Дверца не закрыта должным образом.	Плотно закройте дверцу.

Действует только на территории РФ / Valid for Russian Federation only

# beko

## ГАРАНТИЯ 2 ГОДА

Адрес: 109004, Россия, Москва, ул. Станиславского, д21, стр 1. <http://www.beko.ru>  
Телефон горячей линии 8-800-200-23-56 (Звонок бесплатный на всей территории России)

### Гарантийный талон серия RUS №

Модель ..... Серийный номер .....

Дата продажи .....

Компания .....

Подпись продавца .....

ПЕЧАТЬ

Дата установки .....

Компания .....

Подпись мастера .....

ПЕЧАТЬ

Покупатель ..... Телефон .....

*Фамилия, Имя, Отчество*

Изделие проверялось в присутствии покупателя;

Покупатель с условиями гарантии ознакомлен .....

*Подпись Покупателя*



Отрывные купоны гарантийного талона являются средством отчетности о выполнении сервисным центром гарантийных работ. Купон изымается из гарантийного талона после удовлетворения Ваших претензий.

# beko

серия RUS №

Дата продажи .....

ПЕЧАТЬ  
МАГАЗИНА

# 3

ГАРАНТИЯ 2 ГОДА

# beko

серия RUS №

Дата продажи .....

ПЕЧАТЬ  
МАГАЗИНА

# 2

ГАРАНТИЯ 2 ГОДА

# beko

серия RUS №

Дата продажи .....

ПЕЧАТЬ  
МАГАЗИНА

# 1

ГАРАНТИЯ 2 ГОДА

## Najprej preberite priročnik za uporabo!

Spoštovani,

Zahvaljujemo se vam, da ste se odločili za nakup izdelka Beko. Upamo, da bo izdelek, ki je bil izdelan z visokokakovostno in najnovejšo tehnologijo, upravičil vaše zaupanje. Zato pred uporabo naprave preberite celoten uporabniški priročnik in vso ostalo priloženo dokumentacijo ter jo shranite kot referenco za prihodnjo uporabo. Če napravo predate nekemu drugemu, zraven priložite še uporabniški priročnik. Upošteвайте vsa navodila in vse informacije, ki so v priročniku o uporabi.

### Pomen simbolov

Naslednji simboli so uporabljeni v različnih razdelkih tega priročnika:



Pomembne informacije in uporabni nasveti o uporabi.



Opozorila za nevarne situacije, ki zadevajo varnost za življenje in lastnino.



Opozorilo za vroče površine.



Opozorilo za električni udar.



Opozorilo na nevarnost požara.



Ta izdelek je bil izdelan v okolju prijaznih in sodobnih proizvodnih obratih, brez kakršne koli škode za naravo.

# 1 Pomembna varnostna in okoljska navodila

## **Pomembna varnostna navodila natančno preberite in jih shranite za kasnejšo uporabo**

### **1.1 Varnostna opozorila**

To poglavje vsebuje varnostna navodila, ki vam bodo pomagala pri zaščiti pred požarom, električnim uradom, izpostavljenosti uhajanja mikrovalovom, osebnim poškodbam in materialno škodo. Neupoštevanje teh navodil razveljavi garancijo.

- Mikrovalovna pečica Beko je skladna z varnostnimi standardi, zato mora, v primeru poškodbe naprave ali napajalnega kabla, le to popraviti ali zamenjati prodajalec, servisni center ali strokovnjak in pooblaščen servis, da se izognete nevarnosti. Napačna ali nepooblaščen poprava so lahko nevarna in ogrožajo uporabnika.
- Naprava je namenjena za uporabo v gospodinjstvu in podobnih okoljih, kot so:
  - kuhinje za osebje v trgovinah, pisarnah in drugih delovnih okoljih;
  - kmetijska poslopja
  - hoteli in druga bivalna okolja, kjer jo lahko uporabljajo gostje;
  - okolja, kjer ponujajo nočitve z zajtrkom.
- Ni namenjena komercialni ali industrijski uporabi.
- Pečice ne poskušajte zagnati, ko so vrata odprta; če so odprta ste lahko izpostavljeni škodljivi mikrovalovni energiji. Varoval ne smete onemogočiti ali spreminjati.
- Mikrovalovna pečica je namenjena ogrevanju hrane in pijač. Sušenje hrane ali oblačil in ogrevanje grelnih blazinic, copat, gobic, vlažne krpe in podobnega lahko vodi do nevarnosti poškodb, vžiga ali požara.
- Med sprednjo stranjo in vrati pečice ne postavljajte predmetov. Na površinah za zapiranje ne dovolite nabiranja ostankov umazanije ali čistil.
- Vsa servisna dela, ki vključujejo odstranitev pokrova, ki zagotavlja zaščito pred izpostavljenostjo mikrovalovni energiji, morajo opraviti pooblaščen osebe/servis. Vsak drug pristop je nevaren.

# 1 Pomembna varnostna in okoljska navodila

- Vaš izdelek je namenjen kuhanju, ogrevanju in odtajanju hrane doma. Ne sme se uporabljati v komercialne namene.
- Vaša pečica ni zasnovana tako, da posuši katero koli živo bitje.
- Naprave ne uporabljajte za sušenje oblačil ali kuhinjskih brišač.
- Naprave ne uporabljajte na prostem, v kopalnicah, v vlažnih okoljih ali na mestih, kjer se lahko zmoči.
- Za škodo, nastalo zaradi zlorabe ali nepravilnega ravnanja z napravo, ne prevzemamo nobene odgovornosti ali garancijskih zahtevkov.
- Naprave nikoli ne poskušajte razstaviti. Garancijski zahtevki za škodo, nastalo zaradi nepravilnega ravnanja, ne bodo sprejeti.
- Uporabljajte samo originalne dele ali dele, ki jih priporoča proizvajalec.
- Med uporabo naprave ne puščajte brez nadzora.
- Napravo vedno uporabljajte na stabilni, ravni, čisti, suhi in nedrseči površini.
- Naprave ne smete uporabljati z zunanjo uro ali ločenim sistemom za daljinsko upravljanje.
- Pred prvo uporabo očistite vse dele. Prosimo, glejte podrobnosti, podane v poglavju "Čiščenje in vzdrževanje".
- Napravo uporabljajte za predviden namen, opisan v tem priročniku.
- Naprava se med uporabo zelo segreje. Pazite, da se ne dotikate vročih delov v pečici.
- Pečice ne uporabljajte prazne.
- Kuhinjski pripomoček je lahko vroč zaradi prehajanja toplote iz ogrete hrane na pripomoček. Morda boste za prijem tega pripomočka potrebovali kuhinjske rokavice.
- Preveriti je potrebno, če so pripomočki primerni za uporabo v mikrovalovnih pečicah.
- Pečice ne postavljajte na štedilnike ali druge naprave za ustvarjanje toplote. V nasprotnem primeru se lahko poškoduje in garancija preneha veljati.
- Po kuhanju hrane lahko med odpiranjem pokrovov ali folije izhaja para.

# 1 Pomembna varnostna in okoljska navodila

- Naprava in njene dostopne površine so lahko med delovanjem naprave zelo vroče.
- Vrata in zunanje steklo sta lahko med delovanjem naprave zelo vroča.
- Prepričajte se, da vaše omrežno napajanje ustreza informacijam, navedenim na tipski ploščici naprave.
- Napravo lahko izključite iz električnega napajanja samo tako, da izključite napajalni vtič iz električne vtičnice.
- Napravo uporabljajte samo z ozemljeno vtičnico.
- Naprave nikoli ne uporabljajte, če je napajalni kabel ali naprava sama poškodovana.
- Te naprave ne uporabljajte s podaljškom.
- Naprave ali njenega vtiča se nikoli ne dotikajte z vlažnimi ali mokrimi rokami.
- Napravo postavite tako, da je vtičač vedno dostopen.
- Preprečite poškodbe napajalnega kabla, tako da ga ne stiskate, upogibate ali drgnete ob ostre robove. Napajalni kabel držite stran od vročih površin in odprtega ognja.
- Prepričajte se, da ni nevarnosti, da bi lahko napajalni kabel ne namerno potegnili ven ali da bi se kdo ob njega spotaknil, ko naprava deluje.
- Napravo izključite iz električnega omrežja pred vsakim čiščenjem in kadar naprava ni v uporabi.
- Ne izključite napravo iz napajanja tako, da vlečete za napajalni kabel in nikoli ne ovijajte napajalnega kabla okoli naprave.
- Naprave, napajalnega kabla ali vtiča ne potaplajte v vodo ali druge tekočine. Ne držite jih pod tekočo vodo.
- Pri segrevanju hrane v plastičnih ali papirnih posodah pazite, da ne pride do požara v pečici.
- Preden jih vstavite v pečico, s papirnih in plastičnih posod odstranite žične sponke in/ali kovinske ročaje.

# 1 Pomembna varnostna in okoljska navodila

- Če opazite dim, izklopite ali izključite napravo, če je to varno, vrata pustite zaprta, da morebiten plamen ugasne.
  - Mikrovalovne pečice ne uporabljajte za shranjevanje. Kadar pečice ne uporabljate, v njej ne puščajte papirja, kuhinjskih sestavin ali hrane.
  - Vsebino hrane za dojenčke v stekleničkah in kozarčkih za otroško hrano je treba pred zaužitjem premešati ali pretresti in preveriti temperaturo, da se otrok ne opeče.
  - Ta naprava je skupine 2 razred B opreme ISM. Oprema skupine 2 vsebuje vse opreme ISM (industrijska, znanstvena in medicinska), v kateri se radiofrekvenčna energija namenoma ustvarja in/ali uporablja v obliki elektromagnetnega sevanja za obdelavo materiala, in oprema za erozijo isker.
  - Oprema razreda B je primerna za uporabo v gospodinjstvu in obratih, ki so neposredno priključeni na nizkonapetostno električno omrežje.
  - V pečici ne uporabljajte jedilnega olja. Vroče olje lahko poškoduje komponente in materiale pečice ter lahko povzroči celo opekline kože.
  - Hrano z močno lupino, kot so krompir, bučke, jabolka in kostanj, prebodite.
  - Naprava mora biti postavljena tako, da je zadnja stran obrnjena proti steni.
  - Pred premikanjem naprave zavaruje vrtljivi pladenj, da preprečite škodo.
  - V mikrovalovni pečici ne segrevajte jajc v njihovi lupini ali trdo kuhanih jajc, saj lahko eksplodirajo tudi po tem, ko se segrevanje z mikrovalovi preneha.
- OPOZORILO:** Če so vratca ali tesnila poškodovana, pečice ne uporabljajte, dokler je ne popravi serviser.
- OPOZORILO:** Vsa servisna dela in popravila morajo izvajati usposobljene osebe, ko je pri popravilu treba sneti pokrov, ki varuje pred nevarnim mikrovalovnim sevanjem.

# 1 Pomembna varnostna in okoljska navodila

**OPOZORILO:** Tekočin in druge hrane ne segrevajte v zaprtih posodah, saj lahko pride do eksplozije.

- Pečico redno čistite in odstranite vse ostanke hrane.
- Nad zgornjim delom pečice naj bo min. 20 cm prostega prostora.
- Ne prekuhajte hrane; v nasprotnem primeru lahko povzročite požar.
- Za čiščenje naprave ne uporabljajte kemikalij in parnih čistilnikov.
- Pri uporabi blizu otrok in oseb z omejenimi fizičnimi, senzoričnimi ali duševnimi sposobnostmi je priporočljiva izjemna previdnost.
- To napravo lahko uporabljajo otroci, starejši od 8 let, in osebe z zmanjšanimi fizičnimi, senzoričnimi ali psihičnimi sposobnostmi ali s pomanjkanjem izkušenj ter znanja, če so pod nadzorom zaradi varne uporabe izdelka ali so prejela navodila o varni uporabi izdelka ter razumejo možne nevarnosti. Otroci se s to napravo ne bi smeli igrati.

Otroci ne smejo izvajati čiščenja in vzdrževanja, razen če jih nadzirajo odrasle osebe.

- **Nevarnost zadušitve!** Ves embalažni material hranite zunaj dosega otrok.
- Zaradi prekomerne toplote, ki se pojavi v načinu žar in kombiniranih načinih, bi morali otroci uporabljati te načine le pod nadzorom odrasle osebe.
- Izdelek in njegov napajalni kabel hranite tako, da ne bosta dostopna otrokom, mlajšim od 8 let.
- Hrane ne kuhajte neposredno na stekleni vrtljivi plošči. Hrano položite v/na ustrezne kuhinjske pripomočke, preden jih postavite v pečico.
- Med kuhanjem v mikrovalovni pečici niso dovoljene kovinske posode za hrano in pijačo. V nasprotnem primeru lahko pride do iskrenja.
- Mikrovalovne pečice ne smete postavljati v omaro, ki ni v skladu z navodili za namestitvev.
- Mikrovalovna pečica je namenjena samo vgradni uporabi.



# 1 Pomembna varnostna in okoljska navodila

- Če se vgradne naprave uporabljajo enako ali višje od 900 mm nad tlemi, pazite, da pri odstranjevanju posod iz naprave ne premaknete tudi vrtljivega pladnja.
- Če je vgrajeni izdelek v omari z vrati, mora mikrovalovna pečica delovati pri odprtih vratih omare.

## 1.2 Skladno z direktivo OEE0 in direktivo o odstranjevanju odpadnih naprav:

Ta naprava je skladna z direktivo EU OEE0 (2012/19/EU). Ta izdelek nosi oznako klasifikacije za odpadno električno in elektronsko opremo (WEEE).



Ta oznaka pomeni, da ob koncu njegove življenjske dobe tega izdelka ne smete odstranjevati skupaj z drugimi gospodinjskimi odpadki. Uporabljeno napravo je treba vrniti na uradno točko za recikliranje električnih in elektronskih naprav. Za lokacije teh sistemov za zbiranje se obrnite na lokalne organe ali trgovca, kjer ste kupili izdelek. Vsako gospodinjstvo ima pomembno vlogo pri obnovi in recikliranju starih naprav. Primerno odlaganje rabljenih naprav pomaga preprečevati potencialne negativne posledice za okolje in človekovo zdravje.

## 1.3 Skladnost z direktivo RoHS

Izdelek, ki ste ga kupili, je skladen z direktivo EU RoHS (2011/65/EU). Ne vsebuje škodljivih in prepovedanih snovi, navedenih v direktivi.

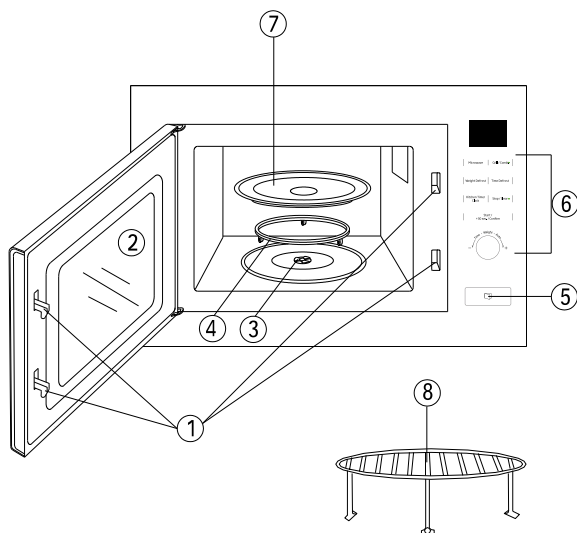
## 1.4 Informacije o embalaži



Embalažni materiali izdelka so izdelani iz materialov, ki jih je mogoče reciklirati, v skladu z nacionalnimi predpisi o okolju. Ne odlagajte embalažnih materialov skupaj z gospodinjskimi ali drugimi odpadki. Peljite jih v zbirne centre za embalažo, pooblaščen s strani lokalne uprave.

## 2 Vaša mikrovalovna pečica

### 2.1 Pregled



1. Sistem varnega zaklepanja vrat
2. Steklo pečice
3. Gred vrtljivega pladnja
4. Podstavek vrtljivega pladnja
5. Gumb za odpiranje vrat
6. Upravljalna plošča
  - Mikrovalovi
  - Žar / kombi
  - Odtaljevanje teža
  - Odtaljevanje čas
  - Časovnik, ura
  - Ustavi / Počisti
  - Zagon/+30sekund./Potrdi
  - Čas / Teža / Samodejno ( potisni gumb )
7. Stekljeni pladenj
8. Rešetka za žar ( ne sme se uporabljati pri načinu segrevanja z mikrovalovi in potrebno jo je postaviti na stekleni pladenj )

### 2.2. Tehnični podatki

<b>Nazivna moč</b>	230 V~50 Hz, 1270 W (mikrovalovi) 1000 W (žar)
<b>moči</b>	800 W
<b>Delovna frekvenca</b>	2450 MHz
<b>Zunanje dimenzije (Vx Šx G) mm</b>	387x594x333
<b>Prostornina pečice</b>	20 litrov
<b>Neto teža</b>	16,5 kg
<b>Barva</b>	črna

Pravice do tehničnih sprememb in sprememb oblikovanja so pridržane.

Oznake na napravi ali vrednosti, navedene v drugih dokumentih, priloženih izdelku, so vrednosti, pridobljene v laboratorijskih pogojih v skladu z ustreznimi standardi. Te vrednosti se lahko razlikujejo glede na uporabo naprave in pogoje okolja. Vrednosti izhodne moči so preizkušene pri 230 V.

## 3 Namestitev in priključitev

### 3.1 Navodila za namestitev

- Prosimo upoštevajte posebna navodila za namestitev.
- Napravo lahko namestite v 60 cm široko stensko omarico.
- Naprava je opremljena z vtičem in mora biti priključena samo na pravilno nameščeno ozemljeno vtičnico.
- Omrežna napetost mora ustrezati napetosti, navedeni na tipski ploščici.
- Samo usposobljen električar mora namestiti vtičnico in zamenjati priključni kabel. Če po namestitvi vtič ni več dostopen, mora biti na strani namestitve nameščena vsepolna odklopna naprava s kontaktno režo najmanj 3 mm.



**OPOZORILO:** Adapterjev, razdelilcev in podaljškov ne smete uporabljati. Preobremenitev lahko povzroči požar.

### 3.2. Električni priklop

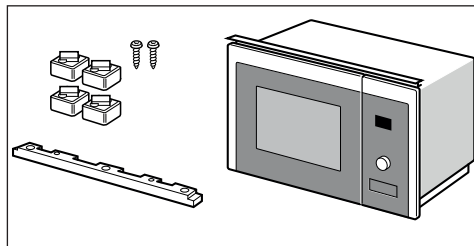
- Naprava je opremljena z vtičem in mora biti priključena samo na pravilno nameščeno ozemljeno vtičnico.
- Samo usposobljen električar, ki upošteva ustrezne predpise, sme namestiti vtičnico ali zamenjati priključni kabel.
- Če po namestitvi vtič ni več dostopen, mora biti na strani namestitve nameščena vsepolna izolacijsko stikalo s kontaktno režo najmanj 3 mm.
- Pri namestitvi je potrebno zagotoviti kontaktno zaščito.

### 3.3 Naprava v viseči stenski omari

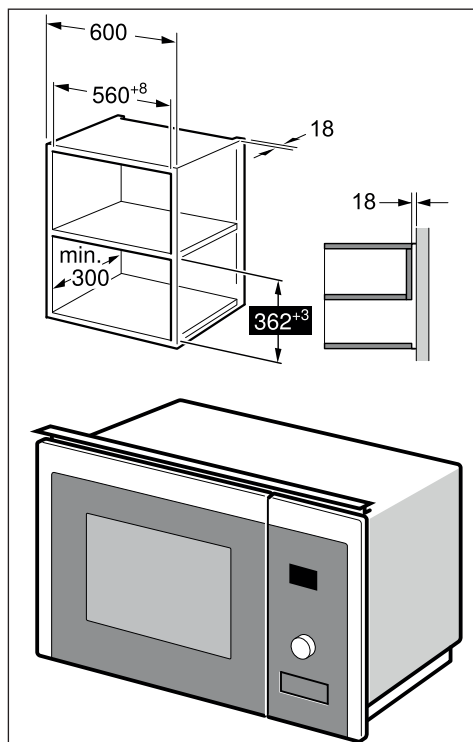
Namestitveno ohišje ne sme imeti zadnje stene.

Najmanjša višina vgradnje: 850 mm. Prezračevalne reže in odprtine ne smejo biti pokrite.

Deli;



#### Naprava v viseči stenski omari



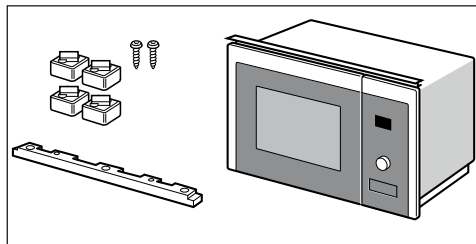
## 3 Namestitev in priključitev

### 3.4 Naprava v talni omari

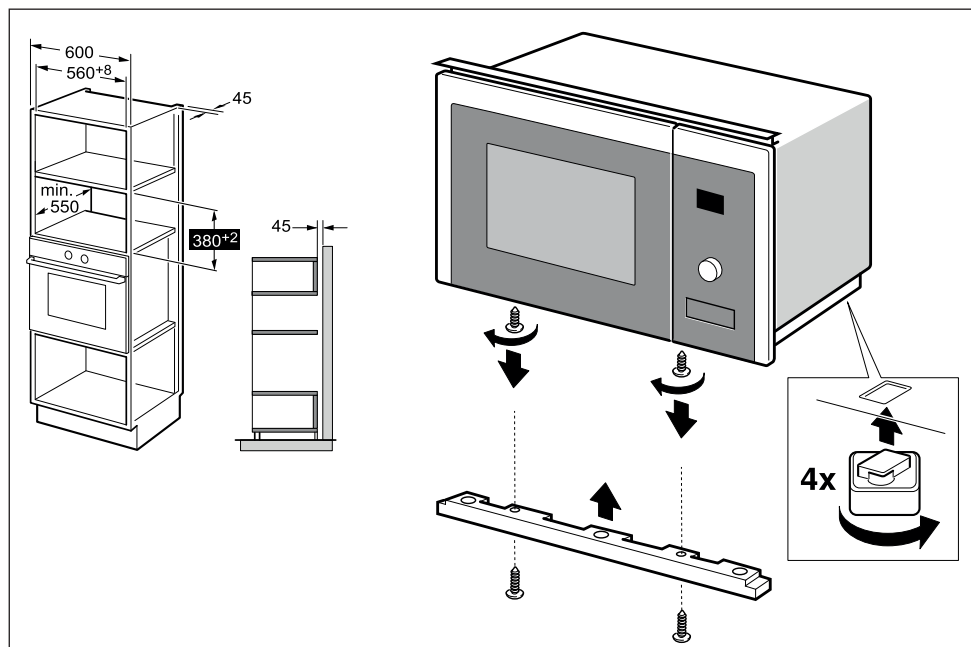
Namestitveno ohišje ne sme imeti zadnje stene.

Najmanjša višina vgradnje: 850 mm. Prezračevalne reže in odprtine ne smejo biti pokrite.

**Delj;**



**Naprava v talni omari**

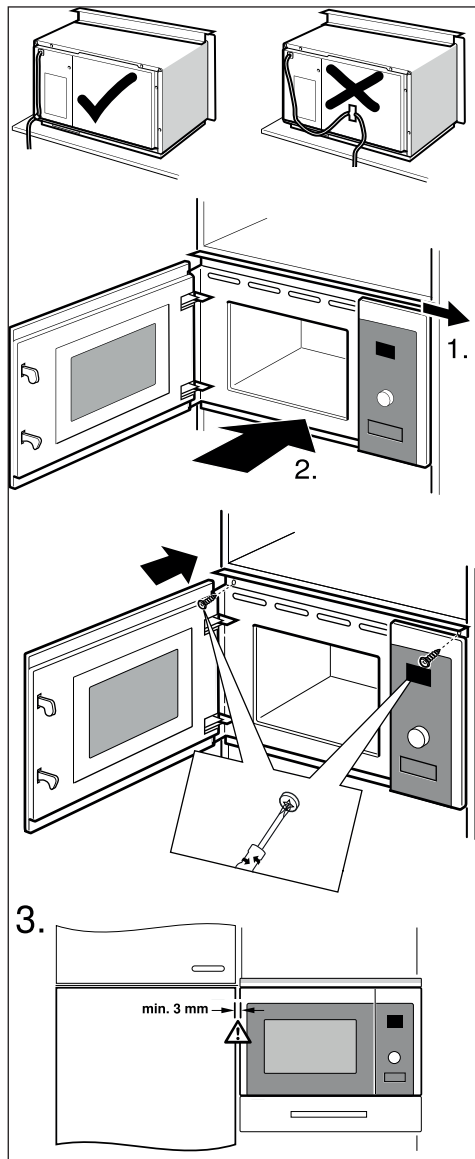


## 3 Namestitev in priključitev

### 3.5 Namestitev pečice



**OPOZORILO:** Električnega kabla ne prepletajte ali pregibajte.



### 3.6 Namestitev vrtljivega pladnja

- Nikoli ne postavljajte steklenega pladnja obrnjenega na glavo. Steklenega pladnja nikoli ne smete omejiti.
- Med kuhanjem je treba vedno uporabljati stekleni pladenj in podstavek vrtljivega pladnja.
- Za kuhanje morajo biti živila in posoda vedno postavljeni na stekleni pladenj.
- Če stekleni pladenj ali podstavek vrtljivega pladnja počí ali se zlomi, se obrnite na najbližji pooblaščen servisni center.

Sedišče (spodnja stran)

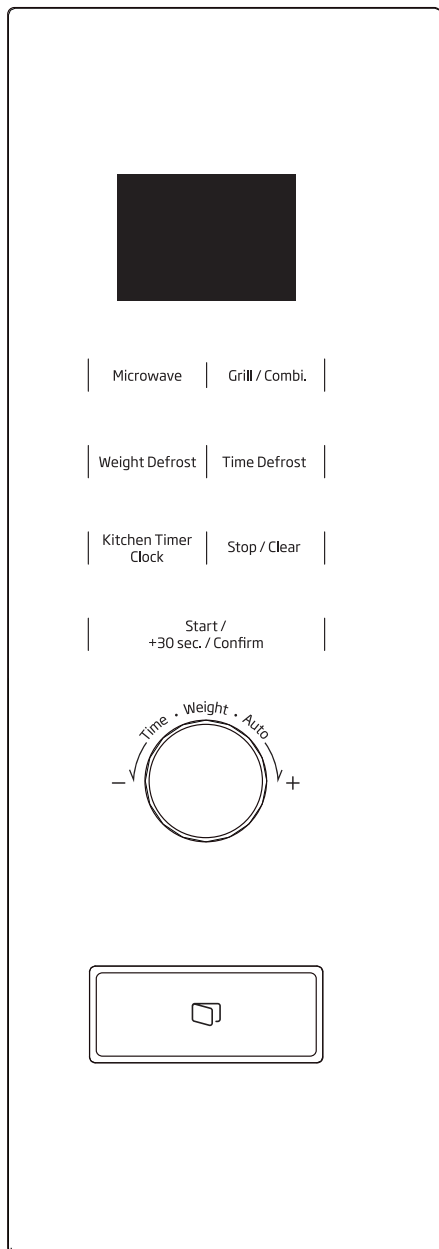
Stekleni pladenj

Gred vrtljivega pladnja

Podstavek vrtljivega pladnja

## 4 Delovanje

### 4.1 Nadzorna plošča



### 4.2 Nastavitev ure

Ko se mikrovalovna pečica priključi, se na njej prikaže "0:00", zvočni signal enkrat zapiska. Mikrovalovna pečica preide v stanje čakanja.

1. Dvakrat pritisnite "Kitchen Timer/Clock" in številke za ure bodo začele utripati.
2. Obrnite "Time / Weight / Auto" , da nastavite uro; vnesena vrednost naj bo med 0 in 23.
3. Pritisnite "Kitchen Timer/Clock" in številke za minute bodo začele utripati.
4. Obrnite "Time / Weight / Auto" , da nastavite minute; vnesena vrednost naj bo med 0 in 59.
5. Pritisnite "Kitchen Timer/Clock" , da zaključite nastavitev. Simbol ":" utripa, in ura bo svetila.



Če ura ni nastavljena, le ta ne deluje, ko priključite pečico.

### 4.3 Kuhanje z mikrovalovi

1. Pritisnite tipko "Microwave" enkrat, in prikaže se "P100".
2. Pritisnite tipko "Microwave" še enkrat in zavrtite "Time / Weight / Auto" , da izberete želeno moč. Vsakič, ko pritisnete tipko, se po tem zaporedju prikaže, "P100", "P80", "P50", "P30" ali "P10".
3. Pritisnite "Start/+30 Sec./Confirm" , da potrdite želeno moč.
4. Obrnite "Time / Weight / Auto" , da nastavite čas kuhanja na vrednost med 0:05 in 95:00.
5. Za začetek kuhanja znova pritisnite "Start/+30 Sec./Confirm".
6. Čas na zaslonu začne odšteti.
7. Po končanem postopku se zasliši zvočni signal "beep".

## 4 Delovanje

Koraki za prilagoditev časa so naslednji:

Nastavitev trajanja	Povečanje
0-1 minuta	5 sekund
1-5 minut	10 sekund
5-10 minut	30 sekund
10-30 minut	1 minuta
30-95 minut	5 minut

Tabela moči mikrovalov

Moč mikrovalov	Visoka	Srednje visoka	Srednje	Srednje Nizko	Nizko
Prikaz	P100	P80	P50	P30	P10

### 4.4 Žar ali kombinirano z mikrovalovi

1. Enkrat pritisnite "Grill/Combi." in na zaslonu se prikaže "G".
2. Večkrat pritisnite ali zavrtite "Time / Weight / Auto", da izberete željeno moč, na zaslonu pa se prikažejo "G", "C-1" ali "C-2".
3. Pritisnite "Start/+30Sec./Confirm", da potrdite moč.
4. Za nastavitev časa kuhanja zavrtite "Time / Weight / Auto". (Najdaljši čas kuhanja je 95 minut)
5. Za začetek kuhanja znova pritisnite "Start/+30Sec./Confirm".
6. Čas na zaslonu začne odšteti.
7. Po končanem postopku se zasliši zvočni signal "beep".

#### Napitek za kombinirano moč

Program	Prikaz	Moč mikrovalov	Moč žara
Žar	G	0%	100%
Kombi.1	C-1	55%	45%
Kombi.2	C-2	36%	64%



Če preteče polovico časa pečenja na žaru, pečica dvakrat zapiska, kar je normalno. Za boljši učinek pečenja hrane na žaru obrnite hrano, zaprite vrata in za nadaljevanje pečenja pritisnite "Start/+30Sec./Confirm". Če ne storite nič, pečica nadaljuje pečenje.

### 4.5 Odtaljevanje glede na težo

1. Enkrat pritisnite "Weight Defrost" in na zaslonu se prikaže "dEF1".
2. Za nastavitev teže živila zavrtite "Time / Weight / Auto". Razpon teže je 100-2000g.
3. Za začetek odtaljevanja pritisnite "Start/+30Sec./Confirm".
4. Čas na zaslonu začne odšteti.
5. Po končanem postopku se zasliši zvočni signal "beep".



Če preteče polovico časa odtaljevanja, pečica dvakrat zapiska, kar je normalno. Za boljši učinek odtaljevanja živilo obrnite, zaprite vrata in za nadaljevanje pritisnite "Start/+30Sec./Confirm". Če ne storite nič, pečica nadaljuje pečenje.

### 4.6 Odtaljevanje glede na čas

1. Enkrat pritisnite "Time Defrost" in na zaslonu se prikaže "dEF2".
2. Za izbiro časa kuhanja zavrtite "Time / Weight / Auto". Najdaljši čas je 95 minut.
3. Za začetek odtaljevanja pritisnite "Start/+30Sec./Confirm".
4. Čas na zaslonu začne odšteti.
5. Po končanem postopku se zasliši zvočni signal "beep".

## 4 Delovanje



Če preteče polovico časa odtaljevanja, pečica dvakrat zapiska, kar je normalno. Za boljši učinek odtaljevanja živilo obrnite, zaprite vrata in za nadaljevanje pritisnite "Start/+30Sec./Confirm". Če ne storite nič, pečica nadaljuje pečenje.

### 4.7 Večstopensko kuhanje

Nastavljeni sta lahko največ 2 stopnji. Če se ena stopnja odtaljevanje, jo je treba samodejno postaviti v prvo stopnjo. Po vsaki stopnji bo zvonec zazvonil enkrat in začela se bo naslednja stopnja.



Samodejnega menija in hitrega kuhanja ni mogoče nastaviti kot večstopenskega.

**Primer:** Živilo želite odtajati v 5 minutah, nato kuhati z 80% mikrovalovi 7 minut.

#### Koraki so naslednji:

1. Enkrat pritisnite "Time Defrost" in na zaslonu se prikaže "dEF2".
2. Za nastavev odtaljevanja 5 minut zavrtite "Time / Weight / Auto";
3. Enkrat pritisnite "Microwave" in na zaslonu se prikaže "P100".
4. Za izbiro moči mikrovalov večkrat pritisnite "Microwave", dokler se ne prikaže "P80";
5. Za potrditev pritisnite "Start/+30Sec./Confirm".
6. Za nastavev kihanja 7 minut zavrtite "Time / Weight / Auto";
7. Za začetek kuhanja pritisnite "Start/+30Sec./Confirm".
8. Po končanem postopku se zasliši zvočni signal "beep".

### 4.8 Časovnik

1. Enkrat pritisnite "Kitchen Timer/Clock" in na zaslonu se prikaže "00:00".

2. Za izbiro ustreznega časa zavrtite "Time / Weight / Auto". (Najdaljši čas kuhanja je 95 minut)
3. Za potrditev pritisnite "Start/+30Sec./Confirm".
4. Čas na zaslonu začne odšteti.
5. Po končanem postopku se zasliši zvočni signal "beep".

### 4.9 Meni Samodejno

1. V stanju čakanja zavrtite "Time / Weight / Auto" v desno, da izberete meni. Na zaslonu se prikaže "A 1".
2. Za izbiro zelenega menija obrnite "Time / Weight / Auto" in na zaslonu se prikaže od "A 1" do "A 8".
3. Za potrditev menija pritisnite "Start/+30Sec./Confirm".
4. Za izbiro teže živila zavrtite "Time / Weight / Auto".
5. Za začetek kuhanja znova pritisnite "Start/+30Sec./Confirm".
6. Čas na zaslonu začne odšteti.
7. Po končanem postopku se zasliši zvočni signal "beep".

#### Tabela za meni:

Meni	Teža	Moč
A 1 - Pizza	200 g	100%(Mik.)
	400 g	
A 2 - Meso	250 g	100%(Mik.)
	350 g	
	450 g	
A 3 - Zelenjava	200 g	100%(Mik.)
	300 g	
	400 g	
A 4 - Testenine	50g (z 450g mrzle vode)	80%(Mik.)
	100g (z 800g mrzle vode)	




## 4 Delovanje

A 5 - Krompir	200 g	100%(Mik.)
	400 g	
	600 g	
A 6 - Riba	250 g	80%(Mik.)
	350 g	
	450 g	
A 7 - Pijača	1 skodelica (približno 120ml)	100%(Mik.)
	2 skodelici (približno 240ml)	
	3 skodelice (približno 360ml)	
A 8 - Kokice	50 g	100%(Mik.)
	100 g	

### 4.10 Hitro kuhanje

1. V stanju čakanja pritisnite tipko "Start/+30Sec./Confirm", da 30 sekund kuhate s 100% močjo. Vsak pritisk na isto tipko poveča trajanje za 30 sekund. Najdaljši čas kuhanja je 95 minut.
2. Pri mikrovalovih, žaru, kombiniranem kuhanju in odtaljevanju glede na čas pritisnite "Start/+30Sec./Confirm", da podaljšate čas kuhanja.
3. Pri samodejnem meniju in odtaljevanju glede na težo časa kuhanja ni mogoče povečati s pritiskom na "Start/+30Sec./Confirm".
4. V stanju čakanja zavrtite "Time / Weight / Auto" v levo, da izberete čas kuhanja. Po nastavitvi časa kuhanja pritisnite "Start/+30Sec./Confirm", da začnete kuhati z mikrovalovi s 100 močjo.

### 4.11 Varovalo za otroke

**Zaklep:** V stanju čakanja za 3 sekunde pritisnite "STOP/Clear", da zaklenete pečico in če je čas nastavljen, se prikaže trenutni čas; v nasprotnem primeru se na zaslonu prikaže " ".

**Prekinitev zaklepa:** V zaklenjenem stanju za 3 sekunde pritisnite "STOP/Clear" in osvobodili ste zaklep.

### 4.12 Funkcija Poizvedovanje

1. Pri kuhanju z mikrovalovi ali žar in kombinacija. Pritisnite "Microwave" ali "Grill/Combi.", za 3 sekunde bo prikazana trenutna moč.
2. Če je med kuhanjem nastavljena ura, pritisnite "Kitchen Timer/Clock", da preverite trenutni čas. Prikazan bo 3 sekunde.

### 4.13 Specifikacija

1. Če so vrata med kuhanjem odprta, zaprite vrata in za nadaljevanje kuhanja pritisnite "Start/+30Sec./Confirm".
2. Ko je program kuhanja nastavljen, se "Start/+30Sec./Confirm" ne aktivira 1 minuto. Prikaže se trenutni čas. Nastavitev bo preklicana.
3. S pravilnim pritiskom se zasliši zvočni signal, v nasprotnem primeru se ne zasliši.

## 5 Kuharski nasveti

Naslednji dejavniki lahko vplivajo na rezultate kuhanja:

### Razporeditev živil

Debelejša živila položite proti zunanji strani posode, tanjša pa proti sredini in jih enakomerno razporedite. Če je mogoče, jih ne prekrivajte.

### Čas kuhanja

Začnite kuhati s nastavitvijo za kratek čas, ocenite jo po izteku časa in jo podaljšajte glede na dejanske potrebe. Predolgo kuhanje lahko povzroči dim in opeklino.

### Enakomerno kuhanje hrane

Hrano, kot je piščanec, hamburger ali zrezek, naj bi med kuhanjem enkrat obrnili.

Odvisno od hrane, med kuhanjem enkrat ali dvakrat premešajte od zunaj proti sredini posode

### Pustite čas mirovanja

Po izteku časa kuhanja pustite hrano dovolj dolgo v pečici, na ta način omogočite, da se hrana »dokuha« in postopoma ohladi

### Kdaj je hrana pripravljena za uživanje

Barva in trdota hrane pomagata ugotoviti, ali je hrana pripravljena, mednje spadajo:

- Para prihaja iz vseh delov hrane, ne samo z roba
- Kostni perutnine je mogoče enostavno premikati
- Svinjina ali perutnina nima nikjer sledi krvi
- Riba ni več prozorna in jo je mogoče enostavno narezati z vilicami

### Zapeka jedi

Ko uporabljate posodo za zapeko ali samo ogrevalno posodo, pod njo vedno položite na toploto odporno izolacijo, kot je porcelanasti krožnik, da preprečite poškodbe steklenega pladnja in vrtljivega obroča.

### Plastična folija za mikrovalovno pečico

Ko kuhate živila z visoko vsebnostjo maščob, vam plastična folija za mikrovalovno pečico preprečuje, da bi ta maščoba, ko se stopi, prišla v stik s hrano

### Plastična posoda za mikrovalovno pečico

Nekateri plastične posode za mikrovalovno pečico, morda niso primerne za kuhanje živil z visoko vsebnostjo maščob in sladkorja. Prav tako ne sme biti prekoračen čas predgrevanja, določen v navodilih za uporabo posode.

## 6 Smernice za pripomočke

### 6.1 Materiali, ki jih lahko uporabite v mikrovalovni pečici ali materiali, ki se jim morate izogniti



Nevarnost telesnih poškodb Vsa servisna dela in popravila morajo izvajati usposobljene osebe, zlasti kadar je pri popravilu treba sneti pokrov, ki varuje pred nevarnim mikrovalovnim sevanjem.

Glejte navodila v poglavju "Materiali, ki jih lahko uporabite v mikrovalovni pečici ali materiali, ki se jim morate izogniti." Obstajajo lahko nekateri nekovinski pripomočki, ki jih ni varno uporabljati v mikrovalovni pečici. Če ste v dvomih, lahko posamezne pripomočke preskusite po naslednjem postopku.

#### Test pripomočka:

1. V mikrovalovno pečico vstavite kozarec hladne vode (250 ml) in kos pribora, ki ga želite preskusiti.
2. Segrevajte na največji moči 1 minuto.
3. Previdno potipajte kos pribora. Če je kos pribora vroč, ni primeren za uporabo v mikrovalovni pečici.
4. Pečice pri preskušanju ne uporabljajte dlje kot 1 minuto.

## 6 Smernice za pripomočke

<b>Materiali, ki jih lahko uporabite v mikrovalovni pečici</b>	
<b>Pripomočki</b>	<b>Opombe</b>
Aluminijasta folija	Samo zaščita Z majhnimi mehкими koščki lahko pokrijemo tanke dele mesa ali perutnine, da preprečimo prekuhanje. Če je folija preblizu sten pečice, se lahko pojavijo iskre. Folija mora biti od sten pečice oddaljena najmanj 2.5cm(1 inč).
Zapeka jedi	Upoštevajte navodila proizvajalca. Dno posode za zapeko mora biti najmanj 5 mm(3/16 inča) nad vrtljivim pladnjem. Nepravilna uporaba lahko povzroči prelom vrtljivega pladnja.
Jedilni pribor	Dovoljeno za mikrovalovno pečico. Upoštevajte navodila proizvajalca. Ne uporabljajte počenega ali odkrušenega pribora.
Stekleni kozarci	Vedno odstranite pokrov. Uporabljajte samo za ogrevanje hrane, samo do toplega. Večina steklenih kozarcev ni odpornih na vročino in lahko počijo.
Steklena posoda	Samo steklena posoda odporna na vročino. Prepričajte se, da nima kovinske obloge, okraska. Ne uporabljajte počenega ali odkrušenega pribora.
Vrečke za kuhanje v mikrovalovni pečici	Upoštevajte navodila proizvajalca. Ne zapirajte s kovinsko žičko. Naredite luknjice, da lahko para uhaja.
Papirnati krožniki in lončki	Uporabljajte samo za kratkotrajno kuhanje/segrevanje. Med kuhanjem ne puščajte pečice brez nadzora.
Papirnat brisače	Uporabite za pokrivanje hrane pri pogrevanje in za vpijanje maščobe. Uporabljajte samo za kratkotrajno kuhanje in pod nadzorom.
Pergamentni papir	Uporabite kot prevleko za preprečevanje škropljenja ali za oblogo za paro.
Plastika	Dovoljeno za mikrovalovno pečico. Upoštevajte navodila proizvajalca. Označeno "Varno za uporabo v mikrovalovni pečici". Nekatere plastične posode se zmeščajo, ko se hrana v njih segreje. "Vrečke za kuhanje" in tesno zaprte plastične vrečke je treba razrezati, preluknjati ali odzračevati kot je označeno na embalaži.
Plastična folija	Dovoljeno za mikrovalovno pečico. Uporabite za pokrivanje hrane med kuhanjem, da zadržite vlago. Pazite, da se plastična folija ne dotika hrane.
Termometri	Dovoljeno za mikrovalovno pečico (termometri za meso in slaščice).
Povoščen papir	Uporabite kot prevleko za preprečevanje škropljenja in za zadrževanje vlage.
<b>Materiali, ki se jim morate v mikrovalovni pečici izogniti</b>	
Aluminijast pladenj	Lahko povzroči iskenje. Hrano prenesite v posodo za mikrovalovno pečico.
Karton za živila s kovinskim ročajem	Lahko povzroči iskenje. Hrano prenesite v posodo za mikrovalovno pečico.
Kovinski in kovinsko okrašeni pripomočki	Kovina ščiti živila pred mikrovalovi. Kovinske obloge lahko povzročijo iskenje.
Kovinske zasučne vezi	Lahko povzroči iskenje in povzroči požar v pečici.
Papirnat vrečke	Lahko povzroči požar v pečici.
Plastična pena	Plastična pena se lahko stopi ali onesaži tekočino v notranjosti, če je izpostavljena visoki temperaturi.
Les	Les se bo pri uporabi v mikrovalovni pečici izsušil in se lahko razcepi ali razpoka.

# 7 Čiščenje in vzdrževanje

## 7.1 Čiščenje



**OPOZORILO:** Za čiščenje naprave ne uporabljajte bencina, topil ali abrazivnih čistil, kovinskih predmetov ali trdih krtač.



**OPOZORILO:** Naprave ali njenega napajalnega kabla nikoli ne potaplajte v vodo ali kakršno koli drugo tekočino.

1. Izklopite napravo in jo izključite iz zidne vtičnice.
2. Počakajte, da se naprava popolnoma ohladi.
3. Naj bo notranjost pečice čista. Ko se hrana ali razlita tekočina prilepi na stene pečice, obrišite z vlažno krpo. Če se pečica resnično umaže, lahko uporabite blago čistilno sredstvo. Izogibajte se uporabi razpršil in drugih agresivnih čistilnih sredstev, saj lahko povzročijo madeže in neprosojnost na površini vratc.
4. Zunanje površine pečice čistite z vlažno krpo. Pazite, da ne pride do vdora vode v prezračevalne odprtine, da ne poškodujete živih delov v notranjosti pečice.
5. Redno brišite obe strani vratc in steklo, tesnila vratc in dele v bližini tesnil z vlažno krpo, da odstranite madeže razlitja. Ne uporabljajte abrazivnih čistilnih sredstev.
6. Pazite, da se upravljalna plošča ne zmoči. Čistite samo z mehko, vlažno krpo. Pustite vratca pečice odprta, da preprečite nenamerno delovanje med čiščenjem upravljalne plošče.
7. Če se znotraj ali okoli vratc pečice nabere para, jo obrišite z mehko krpo. Do tega lahko pride, ko mikrovalovna pečica deluje pod zelo vlažnimi pogoji. To je običajno.
8. V nekaterih primerih boste morali odstraniti stekleni pladenj za čiščenje. Operite pladenj v topli milnici ali v pomivalnem stroju.
9. Ležajni obroč in dno pečice je treba redno čistiti, da se izognemo pretiranemu hrupu.
10. Dovolj je, da spodnjo površino pečice obrišete z blagim čistilnim sredstvom. Ležajni obroč lahko operete v topli milnici ali v pomivalnem stroju. Ko odstranite ležajni obroč iz notranjega dna pečice zaradi čiščenja, bodite pozorni, da ga vrnete v pravilni položaj.
11. Če želite odstraniti neprijetne vonjave v pečici, vanjo postavite globoko posodo, ki je primerena za uporabo v mikrovalovni pečici, vanjo pa dajte kozarec vode, soka in limonin olupek ter pustite pečico delovati 5 minut v načinu mikrovalovne pečice. Nato pa obrišite do suhega z mehko krpo.
12. Ko je treba zamenjati lučko pečice, se obrnite na pooblaščen servis.
13. Redno čistite pečico in iz nje odstranjujte ostanke hrane. Če pečica ni čista, lahko pride do napak na površini, ki lahko vplivajo na življenjski cikel naprave in povzročijo nevarna tveganja.
14. Te naprave ne odlagajte skupaj z gospodinjskimi odpadki; stare pečice je treba odpeljati na posebne zbirne centre, ki jih zagotovijo proizvajalci.
15. Ko se mikrovalovna pečica uporablja v funkciji žara, lahko pride do majhne količine dima in vonja, ki po določenem času uporabe izgine.

## 7.2 Shranjevanje

- Če naprave ne želite uporabljati dlje časa, jo skrbno shranite.
- Prepričajte se, da je naprava izključena iz omrežja, ohlajena in popolnoma suha.
- Napravo hranite na hladnem in suhem mestu.
- Napravo shranjujte izven dosega otrok.

## 7.3 Rokovanje in transport

- Med rokovanjem in prevozom prenašajte napravo v originalni embalaži.
- Embalaža napravo varuje pred fizičnimi poškodbami.
- Na napravo ali embalažo ne polagajte težkih bremen. Naprava se lahko poškoduje.

## 8 Odpravljanje težav

Normalno	
Mikrovalovna pečica moti televizijski sprejem.	Delovanje mikrovalovne pečice lahko moti radijski in televizijski sprejem. To je podobno motnji, ki jo povzročijo mali električni aparati, kot je mešalnik, sesalnik in električni ventilator. To je običajno.
Luč pečice je zatemnjena.	Pri kuhanju pri nizki moči mikrovalovne pečice je lahko luč pečice zatemnjena. To je običajno.
Para se nabira na vratcih, iz zračnikov prihaja vroč zrak.	Med kuhanjem se lahko iz hrane dviga para. Večino pare bo izstopilo skozi zračnike. Nekaj pa se je lahko nabere na hladnem mestu, kot so vratca pečice. To je običajno.
Pečica se je zagnala brez hrane.	Naprave ni dovoljeno uporabljati prazne. To je zelo nevarno.

Težava	Možen vzrok	Rešitev
Pečice ni mogoče zagnati.	1) Napajalni kabel ni pravilno priključen.	Izklopite iz omrežja. Počakajte 10 sekund in ponovno priključite.
	2) Varovalka je pregorela ali se je aktiviralo diferencialno stikalo.	Zamenjajte varovalko ali ponastavite diferencialno stikalo (popravljeno s strani strokovnega osebja našega podjetja).
	3) Težava z vtičnico.	Testirajte vtičnico z drugimi električnimi napravami.
Pečica ne segreva.	4) Vrata niso pravilno zaprta.	Pravilno zaprite vrata.

# Molimo Vas, prvo pročitajte uputstvo za upotrebu!


Poštovani korisniče,

Zahvaljujemo Vam za kupovinu ovog Beko uređaja. Nadamo se da ćete dobiti najbolje rezultate od svog uređaja, proizvedenog pomoću najsavremenije tehnologije visokog kvaliteta. Molimo Vas, pažljivo pročitajte celo uputstvo za upotrebu i sve prateće dokumente pre upotrebe uređaja i čuvajte ga u slučaju da Vam zatreba ubuduće.

Ukoliko dajete uređaj nekom drugom, dajte i uputstvo za upotrebu uz uređaj. Poštujte sva upozorenja i informacije iz uputstva.

## Objašnjenje simbola

U uputstvu za upotrebu se koriste naredni simboli:

	Važne informacije i korisni saveti za upotrebu.
	Upozorenje na opasnost po život ili oštećenje imovine.
	Upozorenje na vruće površine.
	Upozorenje na električni udar.
	Upozorenje na opasnost od požara.



Ovaj uređaj je napravljen najnovijom tehnologijom u uslovima koji nisu štetni po okolinu.

# 1 Važna uputstva u vezi sa bezbednošću i zaštitom životne sredine

**Važna bezbednosna uputstva pažljivo pročitajte i sačuvajte za naknadne reference.**

## 1.1 BEZBEDNOSNA UPOZORENJA

Ovaj odeljak sadrži bezbednosna uputstva koja će vam pomoći da se zaštitite od opasnosti od požara, električnog udara, izlaganja mikrotalasnoj energiji, povreda i oštećenja imovine. Nepoštovanje ovih uputstava poništava odobrenu garanciju.

- Beko mikrotalasne pećnice su u skladu s važećim bezbednosnim standardima; prema tome, u slučaju bilo kakvih oštećenja na uređaju ili kablju za napajanje, iste treba da popravi ili zameni prodavač, servisni centar ili stručnjak i ovlašćeni servis kako bi se izbegla bilo kakva opasnost. Neispravni ili nekvalifikovani radovi na popravci mogu biti opasni i mogu dovesti do opasnosti za korisnika.
- Ovaj uređaj je namenjen za upotrebu u domaćinstvima i sličnim objektima kao što su:

- Mala kuhinja za zaposlene u prodavnicama, kancelarijama i drugim radnim okruženjima;
- Seoske kuće.
- Gosti u hotelima, motelima i drugim stambenim objektima.
- Za objekte koja nude prenoćište i doručak.
- Nije namenjena za industrijsku upotrebu ili upotrebu u laboratoriji.
- Ne pokušavajte da uključite pećnicu dok su joj vrata otvorena; u suprotnom možete biti izloženi štetnoj mikrotalasnoj energiji. Sigurnosne brave ne smeju se onemogućavati ili dirati.
- Mikrotalasna pećnica namenjena je za zagrevanje hrane i pića. Sušenje hrane ili odeće i zagrevanje podmetača za zagrevanje, papuča, sunđera, vlažne krpe i slično može dovesti do opasnosti od povreda, paljenja ili požara.

# 1 Važna uputstva u vezi sa bezbednošću i zaštitom životne sredine

- Ne postavljajte nikakve predmete između prednje strane i vrata pećnice. Ne dozvolite da se na površini vrata nakupljaju prljavština ili ostaci sredstva za čišćenje.
- Bilo koji servisni radovi koji uključuju uklanjanje poklopca koji pruža zaštitu od izlaganja mikrotalasnoj energiji moraju da obavljaju ovlašćena lica/servis. Bilo koji drugi pristup je opasan.
- Vaš proizvod je namenjen za kuvanje, grejanje i odmrzavanje hrane kod kuće. Ne sme da se koristi u komercijalne svrhe.
- Vaša pećnica nije dizajnirana za sušenje nijednog živog bića.
- Ne koristite svoj uređaj za sušenje odeće ili kuhinjskih peškira.
- Ne koristite ovaj uređaj na otvorenom, u kupatilima, u vlažnim okruženjima ili na mestima gde se on može navlažiti.
- Ne preuzimamo nikakvu odgovornost niti odštetni zahtjev po osnovu garancije za štete nastale zloupotrebom ili nepravilnim rukovanjem uređajem.
- Nikada ne pokušavajte da rastavite uređaj. Nijesu prihvatljivi odštetni zahtjev po osnovu garancije za štete nastale nepravilnim rukovanjem.
- Koristite samo originalne delove ili delove koje je preporučio proizvođač.
- Ne ostavljajte uređaj bez nadzora dok je u upotrebi.
- Uređaj uvek koristite na stabilnoj, ravnoj, čistoj, suvoj i neklizavoj površini.
- Uređaj ne treba koristiti sa spoljašnjim tajmerom ili zasebnim sistemom daljinske kontrole.
- Pre prve upotrebe uređaja, očistite sve delove. Pogledajte detalje date u odeljku „Čišćenje i održavanje“.
- Upravljajte uređajem prema predviđenoj nameni samo kako je opisano u ovom uputstvu.
- Uređaj postaje veoma vruć dok se koristi. Vodite računa da ne dodirnete vruće delove unutar pećnice.
- Nemojte uređaj uključivati dok je prazan.



# 1 Važna uputstva u vezi sa bezbednošću i zaštitom životne sredine

- Pribor za kuvanje može se zagrijati zbog topline koja se iz zagrijane hrane prenosi na pribor. Možda će vam biti potrebne rukavice za pećnicu da bi mogli držati pribor.
- Obavezno proverite da li je pribor pogodan za upotrebu u mikrotalasnim pećnicama.
- Ne stavljajte pećnicu na štednjake ili druge aparate koji proizvode toplotu. U suprotnom, može se oštetiti, a garancija postati nevažeća.
- Para može izaći prilikom otvaranja vrata ili folije nakon pripreme hrane.
- Uređaj i njegove pristupne površine mogu biti veoma vruće tokom korišćenja uređaja.
- Vrata i vanjsko staklo mogu biti jako vrući kada se uređaj koristi.
- Vaše mrežno napajanje strujom mora biti u skladu sa informacijama na pločici na uređaju.
- Jedini način da isključite uređaj iz napajanja je da uklonite utikač iz utičnice.
- Uređaj koristite samo sa uzemljenom utičnicom.
- Nikada ne koristite uređaj ako je kabl za napajanje ili sam uređaj oštećen.
- Nemojte koristiti uređaj s produžnim kablom.
- Nikada ne dodirujte uređaj ili utikač vlažnim ili mokrim rukama.
- Postavite uređaj na način da utikač bude uvijek dostupan.
- Sprečite oštećenje kabla za napajanje tako što ga nećete stiskati, savijati ili trljati po ostrim ivicama. Držite kabl za napajanje dalje od vrućih površina i izvora plamena.
- Vodite računa da nema opasnosti od toga da neko slučajno povuče kabl za napajanje, ili da se o njega saplete, dok je uređaj u upotrebi.
- Isključite uređaj sa napajanja pre svakog čišćenja i kada uređaj ne koristite.
- Ne povlačite kabl za napajanje uređaja kako biste ga isključili sa napajanja i nikada nemojte da obmotavate kabal oko uređaja.

# 1 Važna uputstva u vezi sa bezbednošću i zaštitom životne sredine

- Uređaj, kabal za napajanje ili utikač ne potapajte u vodu ili bilo koju drugu tečnost. Ne stavljajte ga pod tekuću vodu.
- Prilikom zagrevanja hrane u plastičnim ili papirnim posudama, nadgledajte mikrotalasnu pećnicu jer postoji mogućnost da se one zapale.
- Sa papirnih ili plastičnih kesa skinite žičane obujmice i/ili metalne drške pre nego što ih stavite u mikrotalasnu pećnicu.
- Ako primetite dim, isključite uređaj ili izvucite utikač sa napajanja, ako se to može uraditi na bezbedan način, i držite vrata zatvorena da biste zagušili eventualni plamen ukoliko postoji.
- Nemojte da koristite prostor u mikrotalasnoj pećnici za čuvanje stvari. Ne ostavljajte papirne predmete, materijal za kuvanje ili hranu u pećnicu kada ista nije u upotrebi.
- Sadržaj flašica i teglica sa hranom za bebe treba da se promeša i promućka i da se proverí temperatura pre konzumiranja da bi se izbegle opekotine.
- Ovaj uređaj je ISM (industrijska, naučna i medicinska) oprema grupe 2 klase B. Grupa 2 sadrži svu ISM (industrijsku, naučnu i medicinsku) opremu u kojoj se radiofrekventna energija namerno generiše i/ili koristi u obliku elektromagnetnog zračenja za obradu materijala, kao i opremu za sprečavanje stvaranja varnica.
- Oprema klase B pogodna je za upotrebu u kućnom okruženju i objektima koji su direktno povezani na mrežu niskog napona.
- e koristite ulje za spremanje hrane u pećnici. Vrelo ulje može oštetiti komponente i materijale pećnice, a može čak i da izazove opekotine na koži.
- Izbockajte hranu koja ima debelu koru kao što su krompir, tikvice, jabuke i kesteni.

# 1 Važna uputstva u vezi sa bezbednošću i zaštitom životne sredine

- Uređaj mora biti postavljen tako da je zadnja strana okrenuta prema zidu.
  - Pre pomeranja uređaja, obezbedite pokretno ležište kako biste sprečili oštećenje.
  - Jaja u ljusci i cela tvrdo kuvana jaja ne treba da se zagrevaju u mikrotalasnoj pećnici pošto ona mogu da eksplodiraju, čak i nakon što se zagrevanje u mikrotalasnoj pećnici završi.
- UPOZORENJE:** Ako su vrata ili zaptivke vrata oštećeni, mikrotalasna pećnica ne sme da radi dok je ne popravi stručno lice.
- UPOZORENJE:** Opasno je da nestručna lica sprovode bilo kakve aktivnosti servisiranja ili popravke koje uključuju skidanje obloge koja pruža zaštitu od izlaganja mikrotalasnoj energiji.
- UPOZORENJE:** Tečnosti i druge vrste hrane ne smeju da se zagrevaju u zatvorenim posudama pošto mogu da eksplodiraju.
- Mikrotalasna pećnica treba redovno da se čisti i da se uklanjaju ostaci hrane.
  - Treba da se obezbedi najmanje 20 cm slobodnog prostora iznad gornje površine pećnice.
  - Nemojte preterano dugo pripremati hranu unutar pećnice; u suprotnom možete izazvati požar.
  - Za čišćenje uređaja ne koristite hemikalije i paročištače.
  - Savetuje se izuzetna opreznost kada se koristi u blizini dece i osoba sa ograničenim fizičkim, čulnim ili mentalnim sposobnostima.
  - Ovaj uređaj mogu koristiti deca u uzrastu od 8 i više godina, kao i osobe sa ograničenim fizičkim, čulnim ili mentalnim sposobnostima ili osobe bez znanja i iskustva, sve dok su pod nadzorom sa ciljem bezbedne upotrebe uređaja, ili su im data adekvatna uputstva odnosno razumiju rizike upotrebe uređaja. Deca ne treba da se igraju s uređajem. Postupke čišćenja i održavanja od strane korisnika ne bi trebalo da obavljaju deca, osim pod nadzorom odrasle osobe.

# 1 Važna uputstva u vezi sa bezbednošću i zaštitom životne sredine

- **Opasnost od gušenja!** Ambalažu držite van domašaja dece.
- Zbog prekomerne toplote koja nastaje prilikom režima grilovanja i kombinovanog režima, deci treba dozvoliti da ih koriste samo pod nadzorom odrasle osobe.
- Uređaj i kabal za napajanje držite van domašaja dece uzrasta ispod 8 godina.
- Ne spremajte hranu direktno na staklenom plehu. Pre stavljanja u pećnicu, stavite hranu u/na odgovarajuću kuhinjsku posudu.
- Metalne posude za hranu i pića nisu dozvoljene tokom spremanja hrane u mikrotalasnoj pećnici. U suprotnom može doći do stvaranja varnica.
- Mikrotalasna pećnica ne sme se postavljati u ormarić koji nije u skladu sa uputstvima za ugradnju.
- Mikrotalasna pećnica namenjena je samo za upotrebu kada je ugrađena.
- Ako se ugradni uređaji koriste na visini jednakoj ili višoj od 900 mm iznad poda, treba voditi računa da se ne pomere i pokretno ležište prilikom uklanjanja posuda iz uređaja.
- Ako je ugradni uređaj smešten u ormarić s vratima, proizvodom treba upravljati držeći vrata ormarića otvorenim.

## 1.2 Usaglašenost sa WEEE direktivom i odlaganje otpada:

Ovaj proizvod je usaglašen sa WEEE direktivom Evropske unije (2012/19/EU). Ovaj proizvod nosi simbol klasifikacije za odlaganje električne i elektronske opreme (WEEE).



Ovaj simbol označava da se ovaj proizvod ne sme odlagati zajedno s ostalim kućnim otpadom na kraju njegovog radnog veka. Korišćeni aparat mora se vratiti na službeno sabirno mesto za recikliranje električnih i elektronskih uređaja. Da biste pronašli ove sisteme za sakupljanje, obratite se lokalnim nadležnim telima ili prodavcu gde je proizvod kupljen. Svako domaćinstvo igra važnu ulogu u obnavljanju i recikliranju starog aparata. Odgovarajuće odlaganje korišćenog uređaja pomaže u sprečavanju potencijalnih negativnih posledica po životnu sredinu i zdravlje ljudi.

## 1.3 Usklađenost sa RoHS Direktivom

Proizvod koji ste kupili u saglasnosti je sa RoHS Direktivom Evropske unije (2011/65/EU). On ne sadrži štetne i zabranjene materijale navedene u Direktivi.

# 1 Važna uputstva u vezi sa bezbednošću i zaštitom životne sredine

## 1.4 Informacije o pakovanju

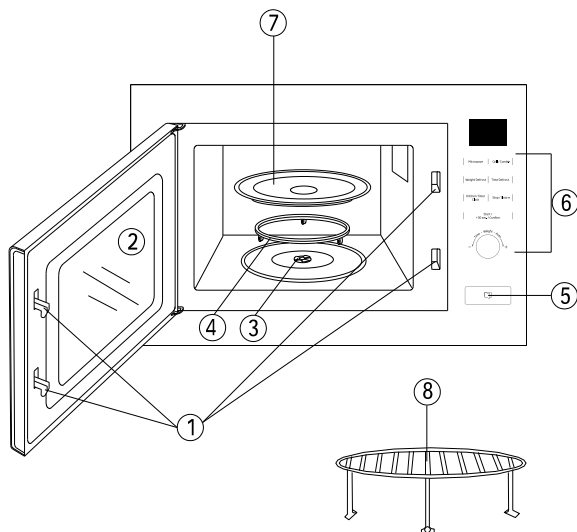


Ambalažni materijali ovog proizvoda su napravljeni od materijala koji mogu da se recikliraju u skladu sa nacionalnim propisima o zaštiti životne sredine.

Ambalažne materijale ne odlagati zajedno sa kućnim ili drugim otpadom. Odnosite ih na mesta za prikupljanje ambalažnog materijala određena od strane lokalnih nadležnih tela.

## 2 Vaša mikrotalasna pečnica

### 2.1 Prikaz



1. Sistem za bezbednosno zaključavanje vrata
2. Otvor pečnice
3. Okretač
4. Držač pokretnog ležišta
5. Tipka za otvaranje vrata
6. Kontrolna tabla
  - Mikrotalasi
  - Gril / kombi.
  - Težina za odmrzavanje
  - Vreme odmrzavanja
  - Kuhinjski tajmer sat
  - Zaustavljanje / Poništavanje
  - Start / + 30sec. / Potvrda
  - Vreme / težina / automatski (taster za izbacivanje)
7. Stakleni pleh
8. Stalak za grilovanje (Ne može se koristiti u funkciji mikrotalasne obrade i mora se postaviti na stakleni pleh)

### 2.2. Tehnički podaci

<b>Potrošnja električne energije</b>	230 V~50 Hz, 1270 W (mikrotalasna) 1000 W (grilovanje)
<b>Izlazna jačina</b>	800 W
<b>Radna frekvencija</b>	2450 MHz
<b>Spoljne dimenzije (V x Š x D) mm</b>	387x594x333
<b>Zapremina pečnice</b>	20 litra
<b>Neto težina</b>	16,5 kg
<b>Boja</b>	Crna

Zadržavam prava na tehničke modifikacije i modifikacije u dizajnu.

Oznake na uređaju ili vrednosti navedene u drugim dokumentima koji se isporučuju uz proizvod su vrednosti dobijene u laboratorijskim uslovima prema odgovarajućim standardima. Ove vrednosti mogu da variraju prema upotrebi uređaja i uslovima sredine. Vrednosti napajanja testiraju se na 230 V.

## 3 Montaža i povezivanje

### 3.1 Pribor za ugradnju

- Obratite pažnju na posebna uputstva za ugradnju.
- Uređaj se može ugraditi u ormar montiran na zid širine 60 cm.
- Uređaj je opremljen utikačem i mora biti povezan samo na pravilno instaliranu uzemljenu utičnicu.
- Mrežni napon mora odgovarati naponu navedenom na tipskoj pločici.
- Utičnica mora biti instalirana, a priključni kabl sme zameniti samo kvalifikovani električar. Ako utikač više nije dostupan nakon instalacije, na strani ugradnje mora biti prisutan svepolni uređaj za odvajanje koji ima razmak od kontakta najmanje 3 mm.



**UPOZORENJE:** Ne smeju se koristiti adapteri, višesmerne trake i produžni kablovi. Preopterećenje može dovesti do opasnosti od požara.

### 3.2 Električni priključak

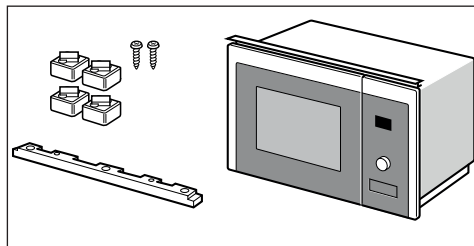
- Uređaj je opremljen utikačem i mora biti povezan samo na pravilno instaliranu uzemljenu utičnicu.
- Samo kvalifikovani električar koji uzima u obzir odgovarajuće propise može da instalira utičnicu ili zameni priključni kabl.
- Ako utikač više nije dostupan nakon instalacije, na strani ugradnje mora biti prisutan svepolni izolacioni prekidač koji ima razmak od kontakta najmanje 3 mm.
- Instalacija mora osigurati kontaktnu zaštitu.

### 3.3 Uređaj u zidnoj jedinici

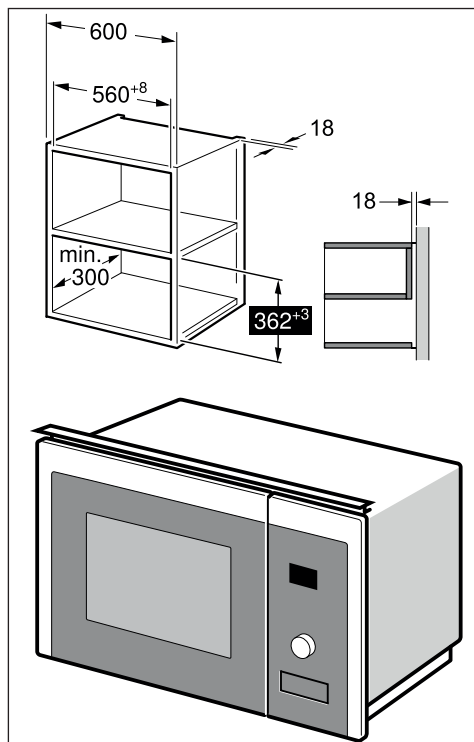
Instalacioni ormar ne sme imati zadnju ploču postavljenu iza uređaja.

Minimalna visina ugradnje: 850 mm. Prorezi za ventilaciju i usisni otvori ne smeju biti pokriveni.

Delovi;



#### Uređaj u zidnoj jedinici



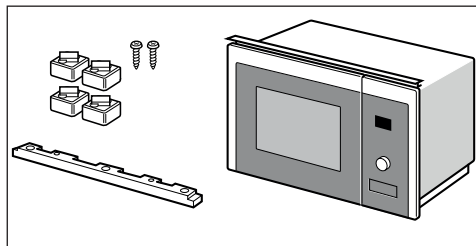
## 3 Montaža i povezivanje

### 3.4 Uređaj u visokoj jedinici

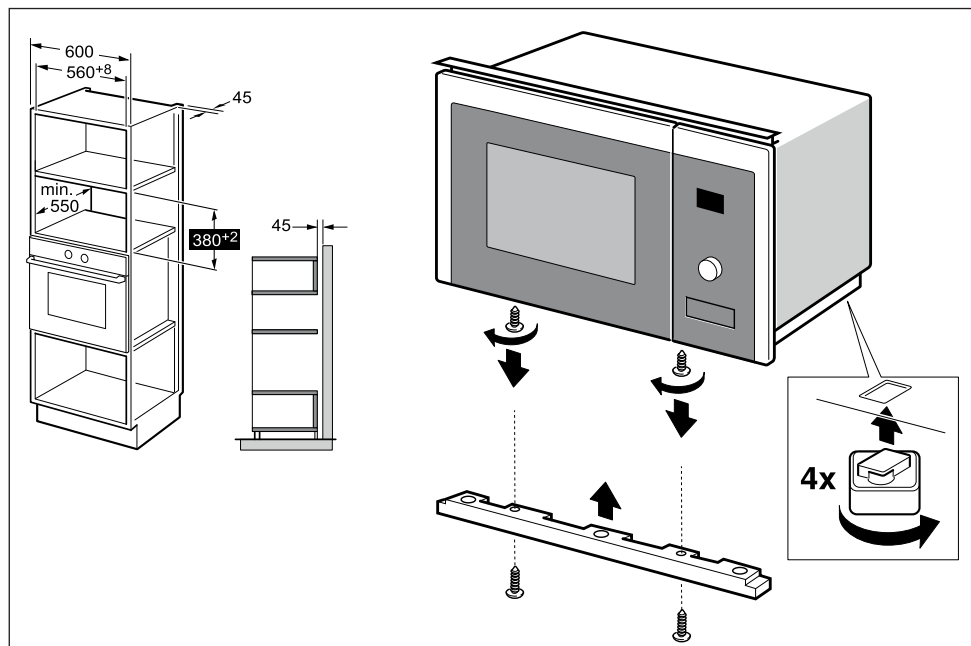
Instalacioni ormar ne sme imati zadnju ploču postavljenu iza uređaja.

Minimalna visina ugradnje: 850 mm. Prorezi za ventilaciju i usisni otvori ne smeju biti pokriveni.

**Delovi;**



**Uređaj u visokoj jedinici**



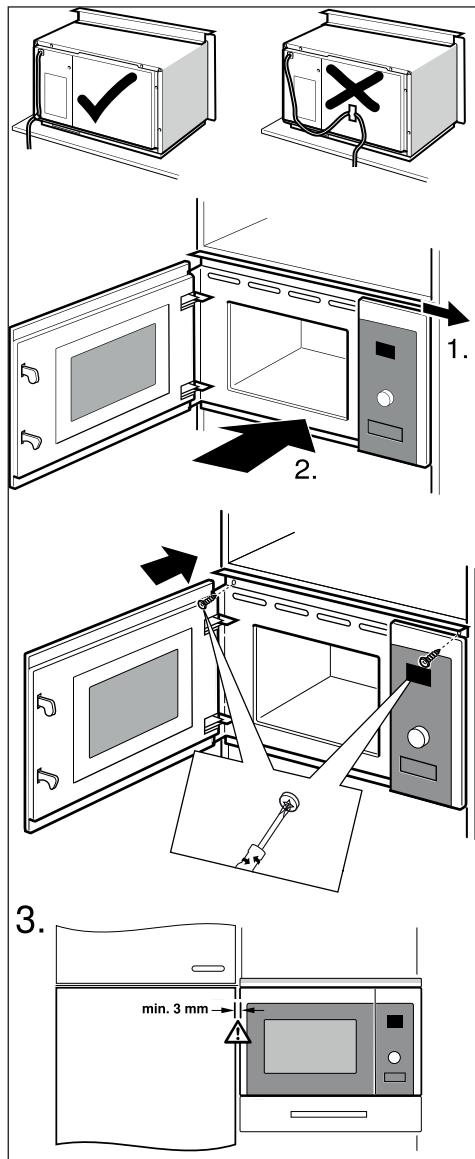


## 3 Montaža i povezivanje

### 3.5 Ugradnja pećnice



**UPOZORENJE:** Nemojte mrežni kabl učiniti nedostupnim ili presavijenim.



### 3.6 Ugradnja okretača

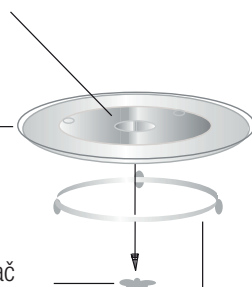
- Stakleni pleh nikada ne postavljajte naopako. Stakleni pleh nikada ne sme biti postavljen u skućenom prostoru.
- Za vreme spremanja hrane uvek se moraju koristiti stakleni pleh i nosač okretača.
- Sva hrana i posude sa hranom moraju uvek biti stavljeni na stakleni pleh za zagrevanje.
- Ako stakleni pleh ili nosač okretača napuknu ili se polome, obratite se najbližem ovlašćenom servisnom centru.

Čvorište (donja strana)

Stakleni pleh

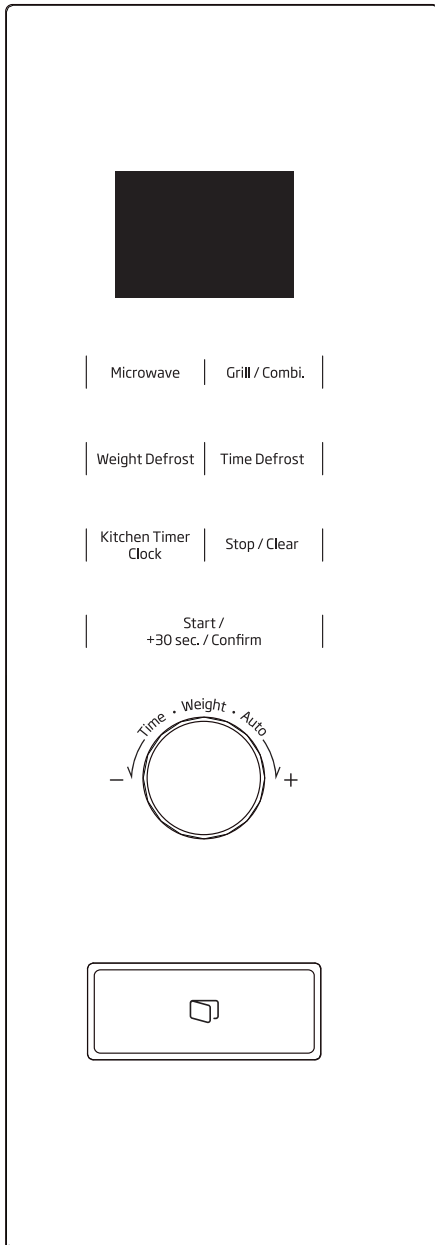
Okretač

Držać pokretnog ležišta



## 4 Rad

### 4.1 Kontrolna tabla



### 4.2 Podešavanje sata

Kada je mikrotalasna pećnica priključena na napajanje, pećnica će prikazati "0:00", zujalica će jednom zazvoniti. Pećnica će biti u statusu pripravnosti.

1. Pritisnite "Kitchen Timer/Clock" dva puta i brojke za sate će početi treptati.
2. Okrenite "Time / Weight / Auto" kako biste podesili sat; ulazna vrednost treba da bude između 0 i 23.
3. Pritisnite "Kitchen Timer/Clock" i brojke za minute će početi treptati.
4. Okrenite "Time / Weight / Auto" kako biste podesili minute; ulazna vrednost treba da bude između 0 i 59.
5. Pritisnite "Kitchen Timer/Clock" da biste završili podešavanje vremena. Simbol ":" će treptati i vreme će zasvetleti.



Ako sat nije podešen, neće funkcionisati kada se uspostavi napajanje.

### 4.3 Spremanje hrane u režimu mikrotalasa

1. Pritisnite jednom tipku "Microwave" i prikazaće se "P100".
2. Ponovo pritisnite "Microwave" ili okrenite "Time / Weight / Auto" da biste izabrali željenu snagu. Svaki put kada pritisnete taster, prikazaće se "P100, P80, P50, P30" ili "P10".
3. Pritisnite "Start/+30 Sec./Confirm" da biste potvrdili željenu snagu.
4. Okrenite "Time / Weight / Auto" da podesite vreme kuvanja na vrednost između 0:05 i 95:00.
5. Pritisnite "Start/+30 Sec./Confirm" ponovo da biste započeli spremanje hrane.
6. Vreme na ekranu počinje da odbrojava.
7. Po završetku postupka čuje se zvučni signal.

## 4 Rad

Koraci za podešavanje vremena na dugmetu za kodiranje su sledeći:

Postavljanje trajanje	Iznos dopunskog punjenja
0-1 minuta	5 sekundi
1-5 minuta	10 sekundi
5-10 minuta	30 sekundi
10-30 minuta	1 minut
30-95 minuta	5 minuta

### Tabela snage mikrotalasa

Snaga mikro-talasa	Jako	Sred-nje jako	Sred.	Sred. Slabo	Sla-bo
Ekran	P100	P80	P50	P30	P10

### 4.4 Grilovanje ili kombinovano spremanje hrane

1. Pritisnite "Grill/Combi." jednom, na ekranu će se prikazati "G".
2. Pritisnite nekoliko puta ili okrenite "Time / Weight / Auto" da biste izabrali snagu koju želite i prikazaće se "G", "C-1" ili "C-2".
3. Pritisnite "Start/+30Sec./Confirm" da biste potvrdili napajanje.
4. Okrenite "Time / Weight / Auto" da podesite vreme spremanja hrane. Najduže vreme za pripremu hrane je 95 minuta.
5. Pritisnite "Start/+30Sec./Confirm" ponovo da biste započeli spremanje hrane.
6. Vreme na ekranu počinje da odbrojava.
7. Po završetku postupka čuje se zvučni signal.

### Uputstva za kombinovanu snagu

Program	Ekran	Snaga mikro-talasa	Snaga grilovanja
Grilovanje	G	0%	100%
Combi.1	C-1	55%	45%
Combi.2	C-2	36%	64%



Ako prođe pola vremena grilovanja, pećnica se oglasi dva puta i to je normalno. Da biste imali bolji efekat grilovanog jela, hranu treba da okrenete, zatvorite vrata, a zatim pritisnete "Start/+30Sec./Confirm" da biste nastavili sa spremanjem jela. Ako nema operacije, pećnica će nastaviti da radi.

### 4.5 Odmrzavanje prema težini

1. Pritisnite "Weight Defrost" jednom, na ekranu će se prikazati "dEF1".
2. Okrenite "Time / Weight / Auto" da biste izabrali težinu hrane. Raspon težine je 100-2000 g.
3. Pritisnite taster "Start/+30Sec./Confirm" da biste započeli odmrzavanje.
4. Vreme na ekranu počinje da odbrojava.
5. Po završetku postupka čuje se zvučni signal.



Ako prođe pola vremena odmrzavanja, pećnica se oglasi dva puta i to je normalno. Da biste imali bolji efekat odmrzavanja, hranu treba da okrenete, zatvorite vrata, a zatim pritisnete "Start/+30Sec./Confirm" da biste nastavili sa spremanjem jela. Ako nema operacije, pećnica će nastaviti da radi.

### 4.6 Vreme odmrzavanja

1. Pritisnite "Time Defrost" jednom, na ekranu će se pojaviti "dEF2".
2. Okrenite "Time / Weight / Auto" da biste izabrali vreme spremanja hrane. Najduže vreme je 95 minuta.
3. Pritisnite taster "Start/+30Sec./Confirm" da biste započeli odmrzavanje.
4. Vreme na ekranu počinje da odbrojava.
5. Po završetku postupka čuje se zvučni signal.

## 4 Rad



Ako prođe pola vremena odmrzavanja, pećnica se oglasi dva puta i to je normalno. Da biste imali bolji efekat odmrzavanja, hranu treba da okrenete, zatvorite vrata, a zatim pritisnete "Start/+30Sec./Confirm" da biste nastavili sa spremanjem jela. Ako nema operacije, pećnica će nastaviti da radi.

### 4.7 Višestepeno kuvanje

Mogu se maksimalno postaviti 2 faze. Ako je jedna od faza odmrzavanje, treba je automatski postaviti kao prvu fazu. Zujalica će zazvoniti jednom nakon svake faze i tada započinje sledeća faza.



Automatski meni i brzo kuvanje ne mogu se postaviti kao jedan od koraka u višestepenom postupku.

**Primer:** Ako želite da hranu odmrzavate 5 minuta, a zatim kuvate sa 80% mikrotalasne snage 7 minuta,

#### Koraci su sledeći:

1. Pritisnite "Time Defrost" jednom, na ekranu će se pojaviti "dEF2".
2. Okrenite "Time / Weight / Auto" da biste podesili vreme odmrzavanja od 5 minuta;
3. Pritisnite "Microwave" jednom, na ekranu će se pojaviti "P100".
4. Pritiskajte "Microwave" nekoliko puta da biste odabrali snagu mikrotalasa dok se ne prikaže „P80“;
5. Pritisnite "Start/+30Sec./Confirm" da biste potvrdili.
6. Okrenite "Time / Weight / Auto" za podešavanje vremena spremanja hrane od 7 minuta;
7. Pritisnite "Start/+30Sec./Confirm" da biste započeli spremanje hrane.
8. Po završetku postupka čuje se zvučni signal.

### 4.8 Kuhinjski tajmer

1. Pritisnite "Kitchen Timer/Clock" jednom, na ekranu će se pojaviti "00:00".
2. Okrenite "Time / Weight / Auto" da biste podesili tačan tajmer. Najduže vreme za pripremu hrane je 95 minuta.
3. Pritisnite "Start/+30Sec./Confirm" da biste potvrdili.
4. Vreme na ekranu počinje da odbrojava.
5. Po završetku postupka čuje se zvučni signal.

### 4.9 Automatski meni

1. U stanju čekanja, okrenite "Time / Weight / Auto" udesno da biste izabrali meni. Na ekranu će se prikazati "A 1".
2. Okrenite "Time / Weight / Auto" da biste izabrali željeni meni, prikazaće se "A 1" do "A 8".
3. Pritisnite "Start/+30Sec./Confirm" da biste potvrdili meni.
4. Okrenite "Time / Weight / Auto" da biste izabrali težinu hrane.
5. Pritisnite "Start/+30Sec./Confirm" ponovo da biste započeli spremanje hrane.
6. Vreme na ekranu počinje da odbrojava.
7. Po završetku postupka čuje se zvučni signal.

#### Prikaz menija:

Meni	Težina	Električna energija
A 1 - Pica	200 g	100% (Mik.)
	400 g	
A 2 - Meso	250 g	100% (Mik.)
	350 g	
	450 g	
A 3 - Povrće	200 g	100% (Mik.)
	300 g	
	400 g	


## 4 Rad

A 4 - Testenine	50g (sa 450g hladne vode)	80% (Mik.)
	100g (sa 800g hladne vode)	
A 5 - Krompir	200 g	100% (Mik.)
	400 g	
	600 g	
A 6 - Riba	250 g	80% (Mik.)
	350 g	
	450 g	
A 7 - Napitak	1 šolja (oko 120 ml)	100% (Mik.)
	2 šolje (oko 240 ml)	
	3 šolje (oko 360 ml)	
A 8 - Kokice	50 g	100% (Mik.)
	100 g	

### 4.10 Brzo kuvanje

1. U stanju čekanja pritisnite taster "Start/+30Sec./Confirm" da biste kovali sa 100% nivoa snage 30 sekundi. Svaki pritisak na isti taster može da poveća vreme za 30 sekundi. Najduže vreme za pripremu hrane je 95 minuta.
2. Tokom programa mikrotalasa, grilovanja, kombinovane pripreme hrane i odmrzavanja po vremenskom postupku, pritisnite "Start/+30Sec./Confirm" da biste povećali vreme spremanja hrane.
3. U statusu automatskog menija i odmrzavanja u odnosu na težinu, vreme spremanja hrane ne može se povećati pritiskom na "Start/+30Sec./Confirm".
4. U statusu čekanja okrenite "Time / Weight / Auto" ulevo da biste izabrali vreme spremanja hrane. Nakon podešavanja vremena kuvanja, pritisnite "Start/+30Sec./Confirm" da biste započeli kuvanje u mikrotalasnoj pećnici sa nivoom od 100% snage.

### 4.11 Funkcija zaključavanja za decu

**Zaključavanje:** U stanju čekanja pritisnite "STOP/Clear" 3 sekunde da biste ušli u stanje zaključavanja za decu i trenutno vreme će se prikazati ako je vreme postavljeno, u suprotnom će se na ekranu prikazati " ".

**Obustava zaključavanja:** U zaključanom stanju pritisnite "STOP/Clear" 3 sekunde, brava se otpušta.

### 4.12 Funkcija provere

1. U statusima pripreme hrane mikrotalasila ili grilovanje i kombinovana priprema pritisnite "Microwave" ili "Grill/Combi.", trenutna snaga će biti prikazana 3 sekunde.
2. Ako je sat podešen, tokom stanja pripreme hrane pritisnite "Kitchen Timer/Clock" da biste proverili trenutno vreme. Prikazaće se 3 sekunde.

### 4.13 Specifikacija

1. Ako su vrata otvorena u procesu pripreme hrane, zatvorite vrata i pritisnite "Start/+30Sec./Confirm" da biste nastavili sa pripremom hrane.
2. Jednom kada se podesi program kuvanja, tokom 1 minuta ne pritiskajte "Start/+30Sec./Confirm". Prikazaće se trenutno vreme. Podešavanje će biti otkazano.
3. Zujalica se jednom oglasi na pritisak, a ako nema kontakta nema ni zvučnog oglašavanja.

## 5 Saveti za pripremu hrane

Sledeći faktori mogu uticati na rezultate pripreme hrane:

### Raspored hrane

Stavite deblje komade prema spoljnoj strani posude, a tanji deo prema sredini i ravnomerno ga rasporedite. Nemojte preklapati koade ako je moguće.

### Dužina trajanja pripreme hrane

Počnite da pripremate hranu sa kratko podešenim vremenskim intervalom, izvršite procenu nakon isteka vremena i produžite prema stvarnoj potrebi. Prekomerno spremanje hrane može dovesti do dima i pregorevanja.

### Spremanje hrane ravnomerno

Hranu kao što je piletina, hamburger ili odrezak treba okrenuti jednom tokom pripreme.

Zavisno od vrste hrane, ako je primjenljivo, promešajte je pokretima od ivica prema sredini posude jednom ili dva puta tokom pripreme

### Ostavite vremena da hrana odstoji

Nakon isteka vremena pripreme hrane ostavite hranu u pećnici tokom izvesnog vremena, jer tako omogućavate da završi ciklus pripreme i hladi se postepeno

### Da li je hrana pripremljena

Boja i tvrdoća hrane pomažu da se utvrdi da li je pripremljena, uključujući sledeće:

- Para izlazi iz svih delova hrane, ne samo sa ivica
- Zglobovi živine mogu se lako pomerati
- Svinjetina ili živina ne pokazuju znake krvi
- Riba je neprozirna i lako se preseca viljuškom

### Jelo iz pekača

Kada koristite pekač ili posudu za samozagrevanje, uvek ispod nje postavite izolator otporan na toplotu, poput porcelanske ploče, kako biste sprečili oštećenje okretača i rotirajućeg prstena.

### Plastična folija namenjena za mikrotalasnu pećnicu

Kada spremate hranu sa visokim sadržajem masti, ne dozvolite da plastična folija dođe u kontakt sa hranom jer se može otopiti

### Plastično posuđe za mikrotalasnu pećnicu

Neko plastično posuđe namenjeno za upotrebu u mikrotalasnim pećnicama možda nije pogodno za spremanje hrane sa visokim sadržajem masti i šećera. Takođe, ne sme se prekoračiti vreme predgrevanja navedeno u uputstvu za upotrebu posuđa.

## 6 Smernice za posuđe

### 6.1 Materijali koje možete koristiti u mikrotalasnoj pećnici ili koje treba izbegavati u mikrotalasnoj pećnici



Opasnost od povredesoba Opasno je da nestručna lica sprovode bilo kakve operacije servisiranja ili popravke koje uključuju skidanje obloge koja pruža zaštitu od izlaganja mikrotalasnoj energiji.

Pogledajte uputstva o „Materijalima koje možete koristiti u mikrotalasnoj pećnici ili koje treba izbegavati u mikrotalasnoj pećnici“ Možda postoji određeni nemetalni pribor koji nije bezbedan za upotrebu u mikrotalasnoj pećnici. Ukoliko niste sigurni, određeni materijal možete testirati praćenjem procedure u nastavku.

#### Testiranje posuđa:

1. Posudu bezbednu za korišćenje u mikrotalasnoj pećnici napunite 1 čašom hladne vode (250 ml) zajedno sa odgovarajućim kuhinjskim priborom.
2. Kuvajte na maksimalnoj jačini otprilike 1 minut.
3. Pažljivo dodirnite kuhinjski pribor. Ako je prazan kuhinjski pribor topao, ne koristite ga za zagrevanje u mikrotalasnoj pećnici.
4. Nemojte da prekoračujete vreme zagrevanja od 1 minuta.

Materijali koje možete koristiti u mikrotalasnoj pećnici	
Posuđe	Detalji
Aluminijska folija	Samo u svrhe zaštite. Mali glatki komadi mogu se koristiti za pokrivanje tankih delova mesa ili živine kako bi se sprečilo prekuhavanje. Luk može nastati ako je folija preblizu zidovima peći. Folija treba da bude udaljena najmanje 2,5 cm od zidova rerne.
Jelo iz pekača	Sledite uputstva proizvođača. Dno pekača mora biti najmanje 5 mm iznad okretača. Nepravilna upotreba može dovesti do pucanja okretača.
Posuđe za jelo	Samo posuđe namenjeno za mikrotalasnu pećnicu. Sledite uputstva proizvođača. Ne upotrebljavajte ispućalo ili oštećeno posuđe.
Staklene posude	Uvek uklonite poklopac. Koristite samo za grejanje hrane dok ne postane topla. Većina staklenih posuda nisu otporne na toplotu i mogu puknuti.
Stakleno posuđe	Samo stakleno posuđe otporno na toplotu. Proverite da li ima metalnih obloga. Ne upotrebljavajte ispućalo ili oštećeno posuđe.
Vrećice za kuvanje u rerni	Sledite uputstva proizvođača. Ne zatvarajte metalnom spojnicom. Ostavite otvore kako bi para mogla da izlazi.
Papirni tanjiri i šolje	Koristite samo za kratkotrajnu pripremu/zagrevanje. Ne ostavljajte pećnicu bez nadzora tokom pripreme hrane.
Papirni ubrusi	Koristite za pokrivanje hrane za podgrevanje i upijanje masti. Koristite pod nadzorom samo za kratkotrajno spremanje hrane.
Pergament papir	Koristite kao pokrivač za sprečavanje prskanja ili omotač za spremanje na pari.

## 6 Smernice za posuđe

Plastika	Samo posuđe namenjeno za mikrotalasnu pećnicu. Sledite uputstva proizvođača. Treba da bude označeno kao „namenjeno za mikrotalase“. Neke plastične posude omekšavaju, jer se hrana unutra zagreva. „Vrećice za kuvanje“ i čvrsto zatvorene plastične kese treba prorezati, probušiti ili odzračiti prema uputstvu na pakovanju.
Plastična folija	Samo posuđe namenjeno za mikrotalasnu pećnicu. Koristite za pokrivanje hrane tokom kuvanja kako biste sačuvali sočnost. Ne dozvolite da plastična folija dodiruje hranu.
Termometri	Samo u mikrotalasnoj pećnici (termometri za meso i slatkiše).
Voštana hartija	Koristite kao pokrivač kako biste sprečili prskanje i sačuvali sočnost.
<b>Materijali koje treba izbegavati u mikrotalasnoj pećnici</b>	
Aluminijumski pleh	Može izazvati stvaranje električnog luka. Prebacite hranu u posudu bezbednu za mikrotalasnu pećnicu.
Karton za hranu sa metalnom ručkom	Može izazvati stvaranje električnog luka. Prebacite hranu u posudu bezbednu za mikrotalasnu pećnicu.
Metalni pribor ili pribor sa metalnim ivicama	Metal štiti hranu od mikrotalasnne energije. Metalne obloge mogu izazvati stvaranje električnog luka.
Metalne spojnice	Mogu prouzrokovati stvaranje električnog luka i mogu izazvati požar u pećnici.
Papirne kese	Mogu izazvati požar u pećnici.
Plastična pena	Plastična pena se može rastopiti ili kontaminirati tečnost iznutra kada je izložena visokoj temperaturi.
Drvo	Drvo se isušuje kada se koristi u mikrotalasnoj pećnici i može napuknuti ili pući.



# 7 Čišćenje i održavanje

## 7.1 Čišćenje i održavanje



**UPOZORENJE:** Nikada ne koristite benzin, rastvarače, abrazivna sredstva za čišćenje, metalne predmete ili tvrde četke za čišćenje uređaja.



**UPOZORENJE:** Nikada ne uranjajte uređaj ili strujni kabl u vodu ili neku drugu tečnost.

1. Isključite uređaj iz struje i izvucite utikač iz utičnice u zidu.
2. Začekajte da se uređaj potpuno ohladi.
3. Održavajte unutrašnjost pećnice čistom. Brišite vlažnom krpom ako se rasipana hrana ili tečnost zalepe za zidove pećnice. Koristite blag deterdžent ako se pećnica dosta zaprlja. Izbegavajte sprejeve i gruba sredstva za čišćenje jer mogu izazvati fleke, ogrebotine ili tamnjenje površina na vratima.
4. Spoljašnje površine pećnice se moraju čistiti vlažnom krpom. Ne dozvolite da voda proдре u ventilacione otvore kako se delovi pećnice ne bi oštetili.
5. Često brišite obe strane vrata i staklo, gume na vratima i delove uređaja u blizini gume vlažnom krpom, kako biste uklonili fleke od prskanja. Ne koristite abrazivna sredstva za čišćenje.
6. Ne dozvolite da se kontrolna tabla nakvasi. Čistite je mekom vlažnom krpom. Ostavite otvorena vrata pećnice kako ne biste slučajno uključili neku funkciju dok čistite kontrolnu tablu.
7. Ako se para nakupi unutar ili oko vrata pećnice, obrišite vlagu mekom krpom. To se može desiti kada mikrotalasna pećnica radi u vlažnim uslovima. Ovo je sasvim normalno.
8. U nekim slučajevima ćete morati da skinete stakleni tanjir i očistite ga. Operite tanjir u toploj vodi sa sapunicom ili u mašini za pranje sudova.
9. Prsten i plafon pećnice se moraju redovno čistiti kako se ne bi javljala buka.
10. Dovoljno je obrisati površinu mekom krpom sa blagim deterdžentom. Prsten se može prati u vodi sa sapunicom ili u mašini za pranje sudova. Kada skinete prsten iz pećnice radi čišćenja, proverite dali ste ga pravilno vratili na mesto.
11. Kako biste uklonili neprijatne mirise iz pećnice, stavite čašu vode sa korom i sokom limuna u duboku posudu koja se može koristiti u mikrotalasnoj pećnici i uključite pećnicu na 5 minuta u režimu mikrotalasne pećnice. Dobro obrišite i osušite mekom krpom.
12. Molimo Vas, kontaktirajte ovlašćenog serviseru ukoliko je potrebno da se zameni sijalica u pećnici.
13. Pećnica se mora redovno čistiti i potrebno je ukloniti sve ostatke hrane. Ako pećnica nije čista, može doći do oštećenja površina, što može uticati na vek trajanja pećnice i izazvati moguću rizik za korisnika.
14. Molimo Vas, ne bacajte stari uređaj sa običnim otpadom iz domaćinstva; stare pećnice je potrebno odnesti u centre za reciklažu.
15. Kada se mikrotalasna pećnica koristi sa funkcijom grila, može se javiti mala količina dima i mirisa koji će nestati nakon određenog vremena korišćenja.

## 7.2 Čuvanje

- Ako ne planirate da koristite uređaj duže vreme, molimo Vas da ga pažljivo odložite.
- Molimo vas, proverite da li je uređaj isključen, hladan i potpuno suv.
- Ostavite uređaj na suvo i hladno mesto.
- Držite uređaj van domašaja dece.

## 7 Čišćenje i održavanje

### 7.3 Prenosnje i transport

- Za vreme prenošenja i transporta, uređaj nosite u originalnom pakovanju.
- Ambalaža uređaja ga štiti od fizičkih oštećenja.
- Nemojte stavljati teške predmete na uređaj ili njegovu ambalažu. Uređaj se može oštetiti.

## 8 Pomoć u rešavanju problema

Normalno	
Mikrotalasna pećnica ometa TV prijem	Radio i TV prijem se mogu ometati kada je mikrotalasna pećnica uključena. Ovo je slično interferenciji koju izazivaju mali kuhinjski uređaji poput miksera, usisivača i fena za kosu. Ovo je normalno.
Svetlo u pećnici je zatamnjeno	Prilikom kuvanja na nižoj snazi pećnice, svetlo u pećnici može biti slabijeg intenziteta. Ovo je normalno.
Para se nakuplja na vratima, vruć vazduh izlazi iz otvora za ventilaciju	Tokom kuvanja se može pojaviti isparavanje iz hrane. Veći deo ove pare će izaći kroz ventilacione otvore. Deo se može nakupiti na hladnijim mestima poput vrata rerne. Ovo je normalno.
Pećnica se uključila slučajno bez hrane u njoj	Nije dozvoljeno uključivati uređaj bez hrane u pećnici. Ovo je veoma opasno.

Problem	Moguć razlog	Rešenje
Pećnica se ne uključuje.	1) Strujni kabl nije umetnut u utičnicu kako treba.	Izvucite utikač iz utičnice. Zatim ga ponovo ubacite nakon 10 sekundi.
	2) Ispao je osigurač ili je sigurnosni prekidač isključen.	Zamenite osigurač ili resetujte prekidač (popravke mora vršiti profesionalno lice iz naše kompanije).
	3) Problem sa utičnicom.	Testirajte utičnicu pomoću nekog drugog električnog uređaja.
Pećnica se ne zagreva.	4) Vrata nisu dobro zatvorena.	Pravilno zatvorite vrata.

## Najprije pročitajte ovaj priručnik!

Poštovani kupci,

Hvala vam što ste izabrali proizvod tvrtke Beko. Nadamo se da ćete dobiti najbolje rezultate od vašeg proizvoda koji je proizveden s pomoću kvalitetne i moderne tehnologije. Zbog toga prije upotrebe proizvoda pažljivo pročitajte korisnički priručnik i druge popratne dokumente i čuvajte ih kao referencu za buduću upotrebu. Ako predajete proizvod nekome drugome, prosljedite joj osobi i korisnički priručnik. Slijedite sva upozorenja i informacije u korisničkom priručniku.

### Značenje simbola

Sljedeći se simboli upotrebljavaju u raznim dijelovima ovog priručnika:



Važne informacije i korisni savjeti o upotrebi.



Upozorenja o opasnim situacijama vezanim za sigurnost života i imovine.



Upozorenje o vrućim površinama.



Upozorenje na električni udar.



Upozorenje na opasnost od požara.



Ovaj je proizvod proizveden u ekološki prihvatljivim modernim postrojenjima bez štetnog utjecaja na okoliš.

# 1 Važne upute za sigurnost i očuvanje okoliša

## **Pažljivo pročitajte ove važne sigurnosne upute i čuvajte ih za buduću uporabu**

### **1.1 Sigurnosna upozorenja**

Ovaj odjeljak sadrži sigurnosne upute koje će vam pomoći zaštititi se od požara, strujnog udara, izlaganju energiji mikrovalova, tjelesnih ozljeda ili oštećenja imovine. Nepridržavanje ovih uputa poništava sva odobrena jamstva.

- Mikrovalne pećnice tvrtke Beko usklađene su s važećim sigurnosnim standardima, stoga, u slučaju bilo kakvog oštećenja uređaja ili strujnog kabela treba ih popraviti ili zamijeniti zastupnik, servis ili stručnjak ili ovlaštenu servisnu ekipu kako bi se izbjegla daljnja oštećenja. Neispravan ili nestručan popravak mogu biti opasni i predstavljati opasnost za korisnika.
- Ovaj uređaj namijenjen je uporabiti u kućanstvu te za primjenu u prostorima poput sljedećeg:
  - kuhinja za osoblje, trgovina, ureda i drugih radnih okruženja;
  - farmi;
  - od strane gostiju u hotelima, ili drugim vrstama sličnih uslužnih objekata;
  - u uslužnim objektima poput pansiona.
- Nije dizajniran za primjenu u industriji ili laboratoriju.
- Ne pokušavajte pokrenuti pećnicu kada su joj vrata otvorena; u protivnom možete se izložiti štetnoj energiji mikrovalova. Sigurnosno zaključavanje se ne smije deaktivirati ili mijenjati.
- Mikrovalna pećnica namijenjena je za zagrijavanje hrane i pića. Sušenje hrane i odjeće te grijanje termofora, kućnih papuča, spužvi, vlažnih krpa i slično može izazvati opasnost od ozljede, zapaljenja ili požara.
- Ne stavljajte predmet između prednje strane i vrata pećnice. Ne dozvolite da su u unutrašnjosti pećnice nakupe nečistoća ili ostaci sredstva za čišćenje.
- Bilo koje servisne poslove koji uključuju uklanjanje poklopca koji pruža zaštitu od izlaganja energiji mikrovalova trebaju obaviti ovlaštene osobe/servis. Svaki drugi pristup je opasan.

# 1 Važne upute za sigurnost i očuvanje okoliša

- Proizvod je namijenjen za kuhanje, zagrijavanje i odmrzavanje hrane u kućanstvima. Ne smije se koristiti za komercijalne namijene.
- Pećnica nije namijenjena sušenju živih bića.
- Ne koristite uređaj za sušenje odjeće ili kuhinjskih krpa.
- Ne koristite uređaj na otvorenom, u kupaonicama, u vlažnom okruženju ili na mjestima gdje se može ovlažiti.
- Ne preuzima se nikakva odgovornost niti jamstvo za štetu nastalu zbog pogrešne primjene ili nepravilnog rukovanja uređajem.
- Nikad ne pokušavajte rastaviti uređaj. Neće se prihvatiti jamstveni zahtjev za štetu nastalu zbog nepravilnog rukovanja.
- Koristite samo originalne dijelove ili dijelove koje je preporučio proizvođač.
- Tijekom upotrebe ne ostavljajte uređaj bez nadzora.
- Uređaj uvijek koristite na stabilnoj, ravnoj, čistoj, suhoj i neklizajućoj površini.
- Uređaj se ne smije koristiti s vanjskim tajmerom sata ili odvojenim sustavom daljinskog upravljanja.
- Prije prve upotrebe uređaja očistite sve dijelove. Pojednosti pogledajte u dijelu "Čišćenje i održavanje".
- Uređaj koristite samo za ono za što je namijenjen kako je opisano u ovom priručniku.
- Uređaj postaje jako vruć tijekom upotrebe. Pripazite i ne dirajte vruće dijelove unutar pećnice.
- Ne rukujte pećnicom kada je prazna.
- Kuhinjski pribor može postati vruć zbog prijenosa topline sa zagrijane hrane na pribor. Možda ćete trebati koristiti kuhinjske rukavice za držanje kuhinjskog pribora.
- Trebate provjeriti kuhinjski pribor i utvrditi smije li se koristiti u mikrovalnoj pećnici.
- Pećnicu ne stavlajte na štednjake ili druge uređaje koji stvaraju toplinu. U protivnom to ih može oštetiti i poništiti jamstvo.

# 1 Važne upute za sigurnost i očuvanje okoliša

- Para može izaći kada otvarate poklopce ili podižete foliju nakon kuhanja hrane.
- Uređaj i njegova dostupna površina mogu postati vrlo vrući kada se uređaj koristi.
- Vrata i vanjsko staklo mogu postati jako vrući kada se uređaj koristi.
- Pripazite da napajanje iz strujne mreže odgovara informacijama navedenim na nazivnoj ploči uređaja.
- Jedini način za odspajanje uređaja iz strujnog napajanja je iskopčavanje strujnog utikača iz strujne utičnice.
- Uređaj koristite samo s uzemljenom utičnicom.
- Nikada ne koristite uređaj ako su kabel za napajanje ili sam uređaj oštećeni.
- Uređaj ne koristite s produžnim kabelom.
- Nikad ne dirajte uređaj ili utikač s vlažnim ili mokrim rukama.
- Uređaj postavite tako da je utikač uvijek dostupan.
- Spriječite oštećenje strujnog kabela tako što ga nećete gnječiti, savijati i trljati o oštre rubove.
- Strujni kabel držite podalje od vrućih površina i otvorenog plamena.
- Pripazite da ne postoji opasnost po strujni kabel tako da ga se slučajno povuče ili da se netko spotakne preko njega dok uređaj radi.
- Isključite uređaj iz napajanja prije svakog čišćenja i kada uređaj ne koristite.
- Ne povlačite strujni kabel uređaja kako biste ga iskopčali iz strujnog napajanja i nikad nemojte omotavati strujni kabel oko uređaja.
- Ne uranjajte uređaj, strujni kabel ili utikač u vodu ili druge tekućine. Ne držite ga pod tekućom vodom.
- Ako zagrijavate hranu koja je u plastičnim ili papirnatim posudama, pripazite na pećnicu jer se posude mogu zapaliti.
- Prije stavljanja u pećnicu papirnatih ili plastičnih vrećica uklonite s njih vezice za vezivanje i/ili metalne ručke.
- Ako primijetite dim, isključite uređaj ili ga odspojite iz strujne utičnice i držite vrata zatvorena kako bi se obuzdao plamen.

# 1 Važne upute za sigurnost i očuvanje okoliša

- Mikrovalnu pećnicu ne koristite kao prostor za čuvanje/odlaganje stvari. Kada se pećnica ne koristi ne ostavljajte u njoj predmete od papira, kuhinjski pribor ili namirnice.
- Radi izbjegavanja opeklina sadržaj bočica za hranjenje i dječje hrane u staklenkama treba se promiješati ili promućkati, a temperatura se treba provjeriti prije konzumacije.
- Ovaj uređaj pripada u skupinu 2 razred B ISM opreme. Skupina 2 sadrži svu ISM (Industrial, Scientific and Medical - industrijsku, znanstvenu i medicinsku) opremu u kojoj se namjerno stvara radijsko-frekvencijska energija i/ili se koristi u obliku elektromagnetskog zračenja za obradu materijala i elektroerozijske opreme.
- Oprema razreda B prikladna je za primjenu u domaćinstvima i ustanovama koje su izravno spojene na niskonaponsku električnu mrežu.
- U pećnici ne koristite ulje za kuhanje. Vrelo ulje može oštetiti dijelove i materijale pećnice te može čak izazvati i opekline.
- Probodite hranu s debljom korom poput krumpira, tikvica, jabuka ili kestena.
- Uređaj postavite tako da je stražnja strana okrenuta prema zidu.
- Prije pomicanja uređaja učvrstite okretni dio i tako spriječite štetu.
- Jaja u ljusci, cijela tvrdo kuhana jaja ne trebaju se zagrijavati u mikrovalnim pećnicama jer mogu eksplodirati, čak i kad završi postupak zagrijavanja u mikrovalnoj pećnici.

**UPOZORENJE:** Ako su vrata ili brtva na vratima oštećeni tada se pećnica ne smije koristiti dok je ne popravi kvalificirana osoba.

**UPOZORENJE:** Opasno je za svakog, osim za stručne osobe, izvršiti servis ili popravak koji uključuje skidanje poklopca koji pruža zaštitu od izlaganja energiji mikrovalova.

**UPOZORENJE:** Tekućine i druga hrana moraju se zagrijavati u zatvorenim posudama jer mogu eksplodirati.

# 1 Važne upute za sigurnost i očuvanje okoliša

- Pećnicu treba redovito čistite i uklanjati ostatke hrane.
- Trebate ostaviti minimalno 20 cm razmaka iznad gornje površine pećnice.
- Nemojte prekuhati hranu, jer u protivnom možete izazvati požar.
- Za čišćenje uređaja ne koristite kemikalije i parne čistače.
- Preporučuje se izniman oprez kada se uređaj koristi u blizini djece i osobe sa smanjenim tjelesnim, osjetilnim ili metalnim sposobnostima.
- Ova uređaj mogu koristiti djeca starija od 8 godina te osobe sa smanjenim sa smanjenim tjelesnim, osjetilnim ili mentalnim sposobnostima ili s nedostatnim iskustvom i znanjem ako su pod nadzorom i ako su dobile potrebne upute za rad s uređajem na siguran način te ako razumiju moguće opasnosti. Djeca se ne smiju igrati s uređajem. Postupke čišćenja i korisničkog održavanja ne smiju obavljati djeca, osim ako nisu pod nadzorom.
- **Opasnost od gušenja!** Svu ambalažu držite izvan dohvata djece.
- Zbog pretjerane topline koja proizlazi iz načina rada roštilja ili kombiniranog načina rada djeci se treba dozvoliti korištenje tih načina rada samo pod nadzorom odrasle osobe.
- Proizvod i strujni kabel čuvajte tako da ih ne mogu dohvatiti djeca mlađa od 8 godina.
- Ne kuhajte hranu izravno na staklenom pladnju. Hranu stavite u/na odgovarajuće kuhinjsko posuđe prije stavljanja u pećnicu.
- Metalne posude za hranu i piće ne smiju se koristiti za vrijeme kuhanja u mikrovalnoj pećnici. U protivnom, može doći do iskrenja.
- Mikrovalnu pećnicu ne smijete stavljati u kuhinjski ormarić koji nije u skladu s uputama za instalaciju.
- Mikrovalna pećnica namijenjena je za upotrebnu samo kao ugradbeni uređaj.



# 1 Važne upute za sigurnost i očuvanje okoliša

- Ako se ugradbeni uređaji koriste na visini od ili većoj od 900 mm iznad poda tada trebate paziti da se okretni dio ne izmjesti prilikom uklanjanja posuda iz uređaja.
- Ako se ugradbeni proizvodu nalazi u kuhinjskom ormariću s vratima tada se uređaj mora koristiti s otvorenim vratima kuhinjskog ormarića.

## 1.2 Sukladnost s Direktivom o gospodarenju otpadnim električnim i elektroničkim uređajima i opremom (WEEE Directive) i zbrinjavanje iskorištenog proizvoda:

Ovaj proizvod usklađen je s WEEE direktivom EZ (2012/19/EZ). Ovaj proizvod nosi klasifikacijsku oznaku za električni i elektronski otpad (WEEE).



Ovaj simbol označava da ovaj proizvod ne treba odlagati s ostalim otpadom iz kućanstva na kraju vijeka uporabe. Rabljeni uređaj mora se vratiti u službeno zbirno mjesto za recikliranje električnih i elektronskih uređaja.

Da biste pronašli mjesta za zbrinjavanje kontaktirajte lokalne vlasti ili prodavača od kojeg ste kupili proizvod. Sva kućanstvo igra važnu ulogu u uporabi i reciklaži iskorištenih uređaja. Odgovarajući zbrinjavanje iskorištenih proizvoda pomaže spriječiti potencijalne negativne posljedice za okoliš i ljudsko zdravlje.

## 1.3 Usklađenost sa RoHS direktivom:

Ovaj proizvod je sukladan Direktivi EU o ograničavanju opasnih tvari (RoHS Directive) (2011/65/EU). Proizvod ne sadrži štetne i zabranjene materijale koji su specificirani u Direktivi.

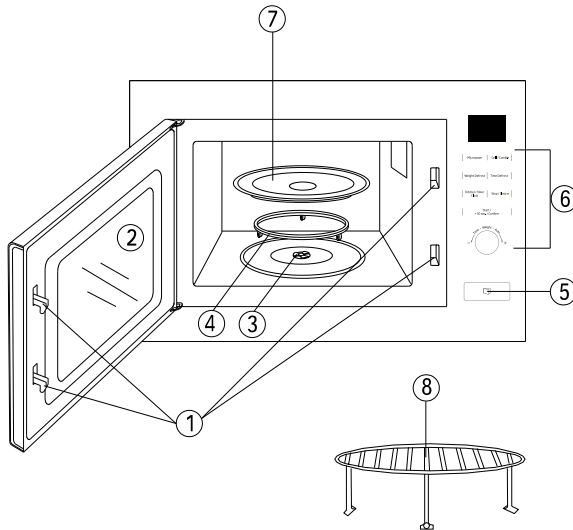
## 1.4. Informacije o pakiranju



Ambalažni materijal proizvoda proizveden je od recikliranih materijala u skladu s nacionalnim odredbama o zaštiti okoliša. Ambalažni materijal ne zbrinjavajte zajedno s kućanskim i drugim otpadom. Odnosite ga u sabirne centre za ambalažni materijal određene od strane tijela lokalnih vlasti.

## 2 Mikrovalna pećnica

### 2.1 Pregled



1. Sustav sigurnosne blokade vrata
2. Prozor pećnice
3. Osovina okretnog dijela
4. Potpora okretnog dijela
5. Gumb za otvaranje vrata
6. Upravljačka ploča
  - Mikrovalna
  - Roštilj/kombinirano
  - Težina odmrzavanja
  - Vrijeme odmrzavanja
  - Sat tajmera kuhanja
  - Zaustavi/izbriši
  - Pokreni/+30 sek./potvrđi
  - Vrijeme/težina/automatski (tipkalo)
7. Stakleni pladanj
8. Rešetka roštilja (ne može se koristiti kod mikrovalne funkcije i mora se postaviti na stakleni pladanj)

### 2.2. Tehnički podaci

<b>Potrošnja energije</b>	230 V~50 Hz, 1270 W (mikrovalovi) 1000 W (roštilj)
<b>Izlazna snaga</b>	800 W
<b>Radna frekvencija</b>	2450 MHz
<b>Vanjske dimenzije (Vx Šx D) mm</b>	387x594x333
<b>Kapacitet pećnice</b>	20 litre
<b>Neto težina</b>	16,5 kg
<b>Boja:</b>	Crna

Zadržana su prava tehničkih i nacrtnih promjena.

Oznake na uređaju ili navedene vrijednosti u drugim dokumentima dostavljenima s proizvodom su vrijednosti dobivene u laboratorijskim uvjetima u skladu s važećim standardima. Ove vrijednosti mogu se razlikovati ovisno o upotrebi uređaja i uvjetima u okruženju. Vrijednosti snage su testirani na 230 V.

## 3 Instalacija i priključivanje

### 3.1 Upute za instalaciju

- Molimo, pridržavajte se posebnih uputa za instalaciju.
- Uređaj se može instalirati u zidni kuhinjski ormarić širine 60 cm.
- Uređaj je opremljen utikačem i mora se priključiti samo na ispravno uzemljenu strujnu utičnicu.
- Napon električne mreže mora odgovarati naponu navedenom na strujnoj pločici.
- Strujna utičnica mora biti instalirana, a priključni kabel smije zamijeniti samo kvalificirani električar. Ako nakon instalacije utikač više nije dostupan tada prilikom instalacije treba postojati svepolna sklopka za razdvajanje koja ima kontaktni zazor od barem 3 mm.



**UPOZORENJE:** Adapteri, strujne letve i produžni kabeli ne smiju se koristiti. Preopterećenje može rezultirati opasnošću od požara.

### 3.2 Priključivanje na električnu mrežu

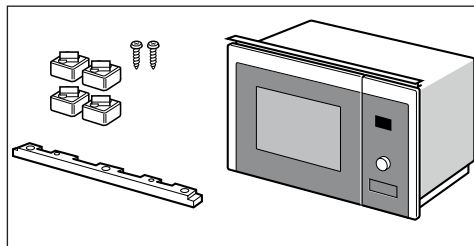
- Uređaj je opremljen utikačem i mora se priključiti samo na ispravno uzemljenu strujnu utičnicu.
- Samo kvalificirani električar koji se pridržava odgovarajućih propisa smije instalirati utičnicu ili zamijeniti priključni kabel.
- Ako nakon instalacije utikač više nije dostupan tada prilikom instalacije treba postojati svepolna izolacijska sklopka koja ima kontaktni zazor od barem 3 mm.
- Zaštita od kontakta mora biti osigurana izolacijom.

### 3.3 Uređaj u zidnoj jedinici

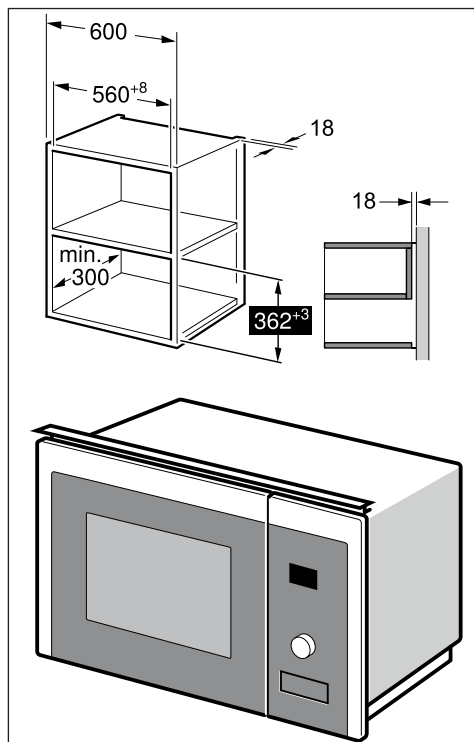
Zidni ormarić u kojem se uređaj instalira ne smije imati stražnju drvenu stijenku iza uređaja.

Minimalna visina instalacije: 850 mm. Otvori za ventilaciju i dovod zraka ne smiju se prekrivati.

Dijelovi;



#### Uređaj u zidnoj jedinici



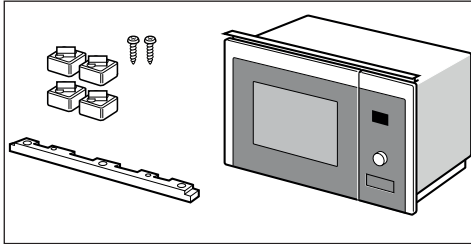
## 3 Instalacija i priključivanje

### 3.4 Uređaj u visokoj jedinici

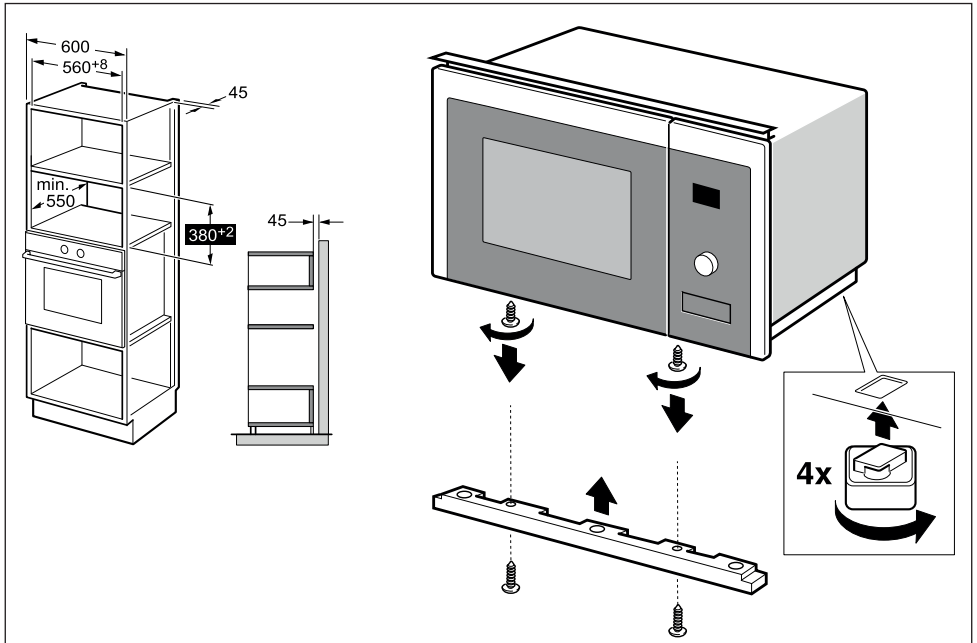
Zidni ormarić u kojem se uređaj instalira ne smije imati stražnju drvenu stijenku iza uređaja.

Minimalna visina instalacije: 850 mm. Otvori za ventilaciju i dovod zraka ne smiju se prekrivati.

#### Dijelovi;



#### Uređaj u visokoj jedinici

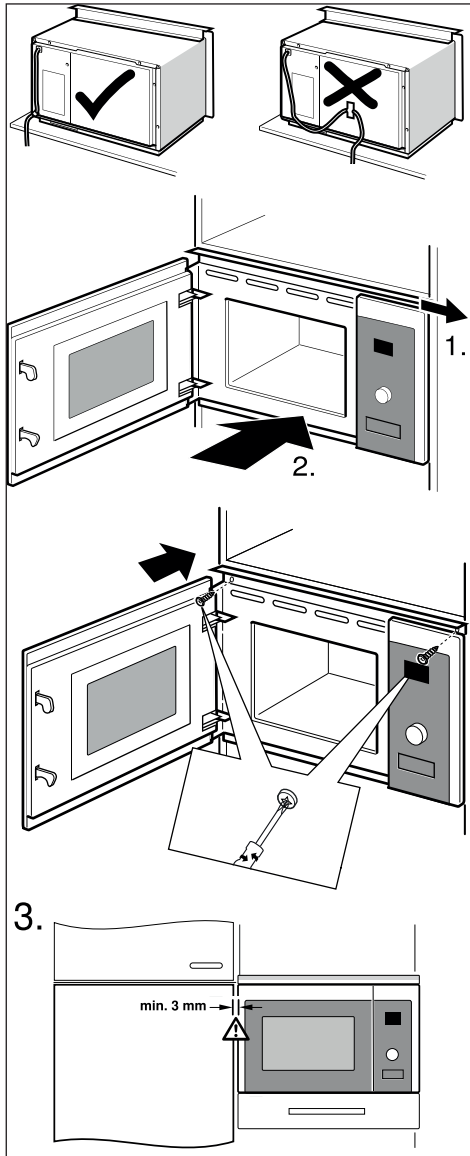


## 3 Instalacija i priključivanje

### 3.5 Instalacija pećnice



**UPOZORENJE:** Ne gnječite i ne savijajte strujni kabel.



### 3.6 Instalacija okretnog dijela

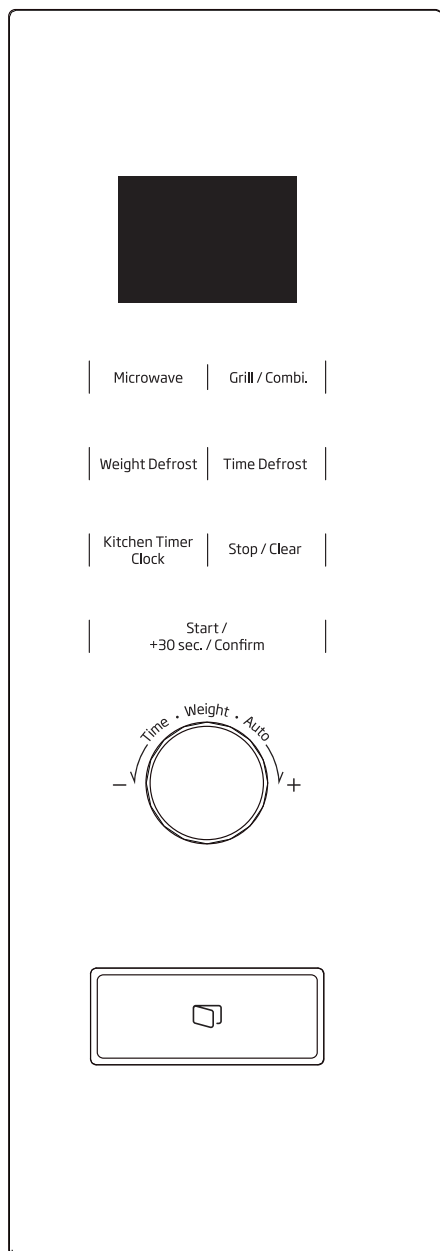
- Stakleni pladanj nikad ne postavljajte obrnuto. Stakleni pladanj nikad ne smije biti ograničen.
- I stakleni pladanj i potporni okretni dio trebaju se uvijek koristiti prilikom kuhanja.
- Hrana i posude s hranom uvijek se trebaju staviti na stakleni pladanj prilikom kuhanja.
- Ako stakleni pladanj ili potporni okretni dio napuknu ili se slome tada kontaktirajte najbliži ovlaštenu servis.

Pogon (donja strana)



## 4 Rukovanje

### 4.1 Upravljačka ploča



### 4.2 Podešavanje sata

Kada je mikrovalna pećnica uključena u električnu mrežu tada će se na zaslonu prikazati "0:00", a alarm će zazvoniti jednom. Pećnica će ući u način pripravnosti.

1. Dvapat pritisnite "Kitchen Timer/Clock", tada će znamenke sata početi treperiti.
2. Okrenite "Time / Weight / Auto" i podesite sat, unesena vrijednost treba biti između 0 i 23
3. Pritisnite "Kitchen Timer/Clock", tada će znamenke minuta početi treperiti.
4. Okrenite "Time / Weight / Auto" i podesite minute, unesena vrijednost treba biti između 0 i 59
5. Za završetak podešavanje pritisnite "Kitchen Timer/Clock". Zatreperit će simbol ":", a vrijeme će zasvijetliti.



Ako sat nije podešen tada neće raditi kada se uređaj uključi.

### 4.3 Kuhanje u mikrovalnoj pećnici

1. Jednom pritisnite gumb "Microwave" i tada će se prikazati „P100“.
2. Ponovno pritisnite "Microwave" i okrenite "Time / Weight / Auto" i odaberite željenu jačinu. Svaki put kad pritisnete gumb pojavit će se "P100, P50, P30" ili "P10".
3. Pritisnite "Start/+30 Sec./Confirm" i potvrdite željenu jačinu.
4. Okrenite "Time / Weight / Auto" i podesite vrijeme kuhanja na vrijednost između 0.05 i 95.00.
5. Ponovno pritisnite "Start/+30 Sec./Confirm" za početak kuhanja.
6. Na zaslonu će početi odbrojanje vremena.
7. Kada se postupak završi začut će se zvuk "biip".

## 4 Rukovanje

Koraci za podešavanje vremena pomoću gumba navedeni su dolje:

Podešavanje vremena trajanja	Iznos povećanja
0-1 minute	5 sekundi
1-5 minute	10 sekundi
5-10 minute	30 sekundi
10-30 minute	1 minuta
30-95 minute	5 minutna

### Tablica snage mikrovalne pećnice

Tablica snage mikrovalne pećnice	Jako	Srednje jako	Srednje	Srednje Nisko	Nisko
Zaslon	P100	P80	P50	P30	P10

### 4.4 Kuhanje na roštilju ili kombiniranim načinom

1. Jednom pritisnite „Grill/Combi“ na zaslonu će se prikazati „G“.
2. Uzastopno pritisnite ili okrenite “Time / Weight / Auto” i odaberite željenu jačinu, tada će se na zaslonu pojaviti „G“, „C-1“ ili „C-2“.
3. Pritisnite “Start/+30Sec./Confirm” i potvrdite jačinu.
4. Okrenite “Time / Weight / Auto” i podesite vrijeme kuhanja. (Maksimalno vrijeme kuhanja je 95 minuta)
5. Ponovno pritisnite “Start/+30Sec./Confirm” za početak kuhanja.
6. Na zaslonu će početi odbrojavanje vremena.
7. Kada se postupak završi začut će se zvuk “biip”.

### Upute za kombiniranu jačinu

Program	Zaslon	Snaga mikrovalne pećnice	Snaga roštilja
Roštilj	G	0%	100%
Komb.1	C-1	55%	45%
Komb.2	C-2	36%	64%



Kada prođe pola vremena kuhanja na roštilju tada će se pećnica oglašiti dvaput, što je normalno. Za što bolji učinak kuhanja hrane na roštilju trebate okrenuti hranu, zatvoriti vrata i pritisnuti “Start/+30 Sec./Confirm” za nastavak kuhanja. Ako ne uradite ništa pećnica će nastaviti s radom.

### 4.5 Odmrzavanje prema težini

1. Jednom pritisnite “Weight Defrost” na zaslonu će se prikazati “dEF1”.
2. Okrenite “Time / Weight / Auto” i podesite težinu namirnice. Raspon težine je od 100-2000 g.
3. Pritisnite gumb “Start/+30Sec./Confirm” za početak odmrzavanja.
4. Na zaslonu će početi odbrojavanje vremena.
5. Kada se postupak završi začut će se zvuk “biip”.



Kada prođe pola vremena odmrzavanja tada će se pećnica oglašiti dvaput, što je normalno. Za što bolji učinak odmrzavanja trebate okrenuti hranu, zatvoriti vrata i pritisnuti “Start/+30Sec./Confirm” za nastavak kuhanja. Ako ne uradite ništa pećnica će nastaviti s radom.

### 4.6 Vrijeme odmrzavanja

1. Jednom pritisnite “Time Defrost” na zaslonu će se prikazati “dEF2”.
2. Okrenite “Time / Weight / Auto” i odaberite vrijeme kuhanja. Maksimalno vrijeme je 95 minuta.

## 4 Rukovanje

3. Pritisnite gumb "Start/+30Sec./Confirm" za početak odmrzavanja.
4. Na zaslonu će početi odbrojavanje vremena.
5. Kada se postupak završi začut će se zvuk "biip".



Kada prođe pola vremena odmrzavanja tada će se pećnica oglasiti dvaput, što je normalno. Za što bolji učinak odmrzavanja trebete okrenuti hranu, zatvoriti vrata i pritisnuti "Start/+30Sec./Confirm" za nastavak kuhanja. Ako ne uradite ništa pećnica će nastaviti s radom.

### 4.7 Kuhanje u više faza

Maksimalno se mogu podesiti 2 faze. Ako se na jednoj razini odmrzava hrana, to će se automatski obavljati na prvoj razini. Alarm će se oglasiti jednom nakon svake faze i kada iduća faza počne s radom.



Automatski izbornik i brzo kuhanje ne mogu se odjednom podesiti kod kuhanja u više faza.

**Primjer:** Ako želite odmrznuti hranu na 5 minuta, a zatim kuhati na 80% snaga mikrovalne pećnice na 7 minuta.

#### Ovo su koraci:

1. Jednom pritisnite "Time Defrost" na zaslonu će se prikazati "dEF2".
2. Okrenite "Time / Weight / Auto" i podesite vrijeme odmrzavanje na 5 minuta;
3. Jednom pritisnite "Microwave" na zaslonu će se prikazati "P100".
4. Uzastopno pritisnite "Microwave" i odaberite jačinu mikrovalova dok se na zaslonu ne prikaže "P80".
5. Pritisnite "Start/+30Sec./Confirm" za potvrdu.
6. Okrenite "Time / Weight / Auto" i podesite vrijeme kuhanja na 7 minuta;
7. Pritisnite "Start/+30Sec./Confirm" za početak kuhanja.
8. Kada se postupak završi začut će se zvuk "biip".

### 4.8 Tajmer kuhanja

1. Jednom pritisnite "Kitchen Timer/Clock", na zaslonu će se prikazati " 00:00 ".
2. Okrenite "Time / Weight / Auto" i unesite ispravno vrijeme tajmera. (Maksimalno vrijeme kuhanja je 95 minuta)
3. Pritisnite "Start/+30Sec./Confirm" za potvrdu.
4. Na zaslonu će početi odbrojavanje vremena.
5. Kada se postupak završi začut će se zvuk "biip".

### 4.9 Automatski izbornik

1. U stanju pripravnosti okrenite "Time / Weight / Auto" za odabir izbornika. Na zaslonu će se prikazati "A 1".
2. Okrenite „Time / Weight / Auto“ za odabir željenog izbornika prikazat će se "A 1" do "A 8".
3. Pritisnite "Start/+30Sec./Confirm" i potvrdite izbornik.
4. Okrenite "Time / Weight / Auto" i podesite težinu namirnice.
5. Ponovno pritisnite "Start/+30Sec./Confirm" za početak kuhanja.
6. Na zaslonu će početi odbrojavanje vremena.
7. Kada se postupak završi začut će se zvuk "biip".



## 4 Rukovanje

### Tablica izbornika:

Izbornik	Težina	Jačina
A 1 - pizza	200 g	100%(mik.)
	400 g	
A 2 - meso	250 g	100%(mik.)
	350 g	
	450 g	
A 3 - povrće	200 g	100%(mik.)
	300 g	
	400 g	
A 4 - tjestenina	50g (s 450g hladne vode)	80%(mik.)
	100g (s 800g hladne vode)	
A 5 - Krumpir	200 g	100%(mik.)
	400 g	
	600 g	
A 6 - riba	250 g	80%(mik.)
	350 g	
	450 g	
A 7 - napitci	1 šalica (pribl. 120 ml)	100%(mik.)
	2 šalice (pribl. 240 ml)	
	3 šalice (pribl. 360 ml)	
A 8 - kokice	50 g	100%(mik.)
	100 g	

### 4.10 Brzo kuhanje

1. U načinu pripravnosti pritisnite gumb "Start/+30Sec./Confirm" za kuhanje sa 100% jačinom na 30 sekundi. Svaki pritisak na isti gumb može produžiti vrijeme za 30 sekundi. Maksimalno vrijeme kuhanja je 95 minuta.
2. Tijekom kuhanja s mikrovalovima, roštiljem, kombiniranim kuhanjem ili prilikom odmrzavanja pritisnite "Start/+30Sec./Confirm" i produžite vrijeme kuhanja.

3. U načinima rada automatskog izbornika i odmrzavanja prema težini vrijeme kuhanja ne može se produžiti pritiskom na gumb "Start/+30Sec./Confirm".

4. U stanju pripravnosti okrenite "Time / Weight / Auto" i odaberite vrijeme kuhanja. Nakon podešavanja vremena kuhanja, pritisnite "Start/+30Sec./Confirm" za početak kuhanja u mikrovalnoj pećnici s 100% jačinom.

### 4.11 Funkcija blokade za djecu

**Blokada:** U načinu pripravnosti pritisnite "STOP/Clear" na 3 sekunde za ulazak u način blokade za djecu, ako je vrijeme podešeno prikazat će se trenutno vrijeme, a na zaslonu će se prikazati "🔒".

**Poništavanje blokade:** U načinu blokade pritisnite "STOP/Clear" na 3 sekunde i tada će se blokada otpustiti.

### 4.12 Funkcija prikaza podataka

1. U načinu kuhanja u mikrovalnoj pećnici ili u načinu roštilj ili kombiniranom načinu. Pritisnite "Microwave" ili "Grill/Combi.", tada će se na 3 sekunde prikazati trenutna jačina.
2. Ako je sat podešen u načinu kuhanja pritisnite "Kitchen Timer/Clock" i provjerite trenutno vrijeme. Prikazat će se na 3 sekunde.

### 4.13 Specifikacije

1. Ako se vrata otvore za vrijeme postupka kuhanja zatvorite vrata i zatim pritisnite "Start/+30Sec./Confirm" za nastavak kuhanja.
2. Kada se podesi program kuhanja, a "Start/+30Sec./Confirm" nije pritisnuto u roku od 1 minute. Prikazat će se trenutno vrijeme. Postavka će se poništiti.
3. Alarm će se oglašiti jednom nakon učinkovitog pritiska, u suprotnom se neće oglašiti.

## 5 Savjeti za kuhanje

Sljedeći faktori mogu utjecati na rezultat kuhanja:

### Raspored hrane

Postavite deblje dijelove prema vanjskom dijelu posude, a tanje dijelove prema središnjem dijelu posude i ravnomjerno rasporedite hranu. Ako je moguće ne stavljajte hranu jednu iznad druge.

### Dužina vremena pečenja

Na početku kuhanja podesite kraće vrijeme, procijenite nakon isteka i produžite ako vam odgovara način kuhanja. Predugo kuhanje može rezultirati dimom i opeklinama.

### Ravnomjerno kuhanje hrane

Hrana poput piletine, hamburgera ili bifteka treba se okrenuti jednom tijekom kuhanja.

Ovisno o vrsti hrane, ako je moguće, protresite od vanjske strane prema središtu posude jednom ili dvaput tijekom kuhanja

### Dopustite hrani da odstoji

Nakon što istekne vrijeme kuhanja, pustite hranu da odstoji u pećnici određeno vrijeme, ovom omogućava dovršenje ciklusa kuhanja i postepeno hlađenje

### Je li hrana gotova

Boja i tvrdoća hrane pomažu vam odrediti je li gotova, ovo uključuje:

- Paru koja izlazi iz svih dijelova hrane, ne samo s rubova
- Zglobovi peradi lako se odvajaju
- Svinjetina ili perad ne pokazuju ostatke krvi
- Riba je neprozirna i može se lako presjeći vilicom

### Pekač (za mikrovalnu pećnicu)

Prilikom korištenja pekača ili samogrijajuće posude uvijek postavite vatrostalnu izolaciju poput porculanske ploče ispod radi sprječavanja oštećenja okretnog dijela ili rotacijskog prstena.

### Sigurnosni plastični omot za mikrovalnu pećnicu

Kada kuhate hranu s velikim udjelom masnoće ne dozvolite da plastični omot dođe u kontakt s hranom jer se može otopiti

### Plastično posuđe koje se sigurno može koristiti u mikrovalnoj pećnici

Neko plastično posuđe koje se može sigurno koristiti u mikrovalnoj pećnici možda nije prikladno za kuhanje hrane s velikim udjelom masnoće i šećera. Također, vrijeme zagrijavanja naznačeno u uputama posuda ne smije se premašiti.

## 6 Smjernice za kuhinjski pribor

### 6.1 Materijali koje možete koristiti u mikrovalnoj pećnici ili koje trebate izbjegavati



Opasnost od tjelesnih ozljeda Opasno je za svakog, osim stručne osobe, izvršiti servis ili popravak koji uključuje skidanje poklopca koji pruža zaštitu od izlaganja mikrovalnoj energiji.

Pogledajte upute u dijelu „ Materijali koje možete koristiti u mikrovalnoj pećnici ili koje trebate izbjegavati“. Možda postoje neki nemetalni kuhinjski pribor koji nije siguran za upotrebu prilikom kuhanja u mikrovalnoj pećnici. Ako niste sigurni možete testirati navedeni kuhinjski pribor primjenom donjeg postupka.

#### Test kuhinjskog pribora:

1. Napunite posudu koja se može sigurno koristiti u mikrovalnoj pećnici s 1 šalicom hladne vode (250 ml) zajedno s kuhinjskim priborom kojeg želite koristiti.
2. Kuhajte primjenom maksimalne snage u trajanju od 1 minute.
3. Pažljivo opipajte kuhinjski pribor. Ako je prazni kuhinjski pribor topao tada ga ne koristite za kuhanje u mikrovalnoj pećnici.
4. Nemojte premašiti vrijeme kuhanja od 1 minute.

Materijali koje možete koristiti u mikrovalnoj pećnici	
Kuhinjski pribor	Primjedbe
Aluminijska folija	Samo za prekrivanje. Mali ravni komadi mogu se koristiti za prekrivanje dijelova mesa ili peradi kako bi se spriječilo prekuhavanje. Može doći do iskrenja ako je folija preblizu stijenkama pećnice. Folija treba biti barem 1 inč (2,5 cm) dalje od stijenki pećnice.
Pekač (za mikrovalnu pećnicu)	Pridržavajte se uputa proizvođača. Dno pekača mora biti barem 3/16 inča (5mm) iznad okretnog dijela. Neispravna upotreba može izazvati lom okretnog dijela.
Posude za jelo	Samo ono koje se sigurno može koristiti u mikrovalnoj pećnici. Pridržavajte se uputa proizvođača. Ne koristite napuklo ili okrnuto posuđe.
Stakleni vrčevi	Uvijek uklonite poklopac. Koristite samo za zagrijavanje hrane dok vrč ne postane topao. Većina staklenih vrčeva nisu otporni na toplinu i mogu puknuti.
Stakleno posuđe	Samo stakleno posuđe otporno na toplinu koje se može koristiti u pećnici. Pazite da nema metalni obrub. Ne koristite napuklo ili okrnuto posuđe.
Vrećice za kuhanje u pećnici	Pridržavajte se uputa proizvođača. Ne zatvarajte ih s metalnim vrpcama. Napravite proreze kako bi para mogla izaći.
Papirnati tanjuri i čaše	Koristite samo za kratkotrajno kuhanje/zagrijavanje. Za vrijeme kuhanja ne ostavljajte pećnicu bez nadzora.
Papirnati ručnici	Koristite za prekrivanje hrane prilikom podgrijavanja i upijanja masnoće. Uz nadzor koristite samo prilikom kratkotrajnog kuhanja.
Papir za pečenje	Koristite poklopac i tako spriječite prskanje ili zamotajte zbog parenja.

## 6 Smjernice za kuhinjski pribor

Plastični	Samo ono koje se sigurno može koristiti u mikrovalnoj pećnici. Pridržavajte se uputa proizvođača. Treba imati oznaku „sigurno za upotrebu u mikrovalnoj pećnici“. Neke plastične posude omekšaju kada hrana u njima postane vruća. „Vrećice za kuhanje“ i čvrsto zatvorene plastične vrećice trebaju se presjeći, probušiti ili otvoriti kako je navedeno na pakiranju.
Plastična folija	Samo ono koje se sigurno može koristiti u mikrovalnoj pećnici. Koristite za prekrivanje hrane tijekom kuhanja kako bi održala sočnost. Ne dozvolite da plastična folija dodirne hranu.
Termometri	Samo ona koje se sigurno može koristiti u mikrovalnoj pećnici (termometri za meso i slatkiše).
Neljepljivi papir	Koristite kao pokrov i tako spriječite prskanje i za održavanje sočnosti.
<b>Materijali koje trebate izbjegavati prilikom kuhanja u mikrovalnoj pećnici</b>	
Aluminijske posude	Mogu izazvati iskrenje. Prebacite hranu u posudu sigurnu za kuhanje u mikrovalnoj pećnici.
Kartonska posuda za hranu s metalnom ručkom	Mogu izazvati iskrenje. Prebacite hranu u posudu sigurnu za kuhanje u mikrovalnoj pećnici.
Metalni kuhinjski pribor ili onaj s metalnim obrubom.	Metal štiti hranu od energije mikrovalova. Metalni obrub može izazvati iskrenje.
Metalne vezice	Mogu izazvati iskrenje i vatru pećnici.
Papirnate vrećice	Mogu izazvati vatru u pećnici.
Plastična pjena	Plastična pjena se može otopiti i kontaminirati tekućinu unutra kada je izložena visokoj temperaturi.
Drvo	Drvo će se osušiti kada se koristi u mikrovalnoj pećnici i može se rascijepiti ili puknuti.

# 7 Čišćenje i održavanje

## 7.1 Čišćenje



**UPOZORENJE:** Nikada nemojte upotrebljavati benzin, otapala, abrazivna sredstva za čišćenje, metalne predmete ili tvrde četke.



**UPOZORENJE:** Ne uranjajte uređaj u vodu ili bilo koju drugu tekućinu.

1. Isključite uređaj i isključite ga iz utičnice.
2. Pustite da se uređaj ohladi do kraja.
3. Držite unutrašnjost pećnice čistom. Kada se hrana ili prolivena tekućina zalijepi na stranice pećnice, obrišite vlažnom krpom. Ako se pećnica jako zaprlja, može se upotrebljavati blagi deterđent. Izbjegavajte upotrebu sprejeva i ostalih jakih sredstava za čišćenje, jer mogu uzrokovati mrlje, tragove i neprozirnost na površini vrata.
4. Vanjske površine pećnice moraju se čistiti vlažnom krpom. Nemojte dopustiti ulazak vode iz ventilacijskih otvora kako biste spriječili oštećenje radnih dijelova pećnice.
5. Često brišite obje strane vrata i stakla, brtvi na vratima i dijelova blizu brtvi s vlažnom krpom da biste uklonili mrlje od prskanja hrane ili tekućine. Nemojte upotrebljavati abrazivna sredstva za čišćenje.
6. Nemojte dopustiti da se upravljačka ploča smoči. Čistite samo vlažnom mekom krpom. Ostavite vrata otvorena da biste spriječili slučajan rad tijekom čišćenja upravljačke ploče.
7. Ako se para nakupi unutar ili oko vrata, obrišite je mekom krpom. Do ovoga može doći ako mikrovalna pećnica radi u vlažnim uvjetima. To je normalno.
8. U nekim ćete slučajevima morati ukloniti stakleni pladanj zbog čišćenja. Operite pladanj u toploj vodi sa sapunom ili u perilici za suđe.
9. Prsten s kotačićima trebao bi se redovito čistiti da bi se izbjegla prevelika buka.

10. Trebalo bi biti dovoljno obrisati donju površinu pećnice blagim deterđentom. Prsten s kotačićima može se prati u toploj vodi sa sapunom ili u perilici za suđe. Kada uklonite prsten s kotačićima iz unutrašnjeg donjeg dijela pećnice zbog čišćenja, osigurajte da ga postavite na ispravno mjesto dok ga zamjenjujete.
11. Za uklanjanje neugodnih mirisa iz pećnice, postavite čašu vode i soka i koru limuna u duboku posudu prikladnu za upotrebu u mikrovalnoj te uključite pećnicu na 5 minuta u načinu mikrovalne. Temeljito obrišite i osušite suhom krpom.
12. Kada je potrebno zamijeniti svjetiljku u pećnici, obratite se ovlaštenom servisu.
13. Pećnica se mora redovito čistiti i ostaci hrane trebaju se ukloniti. Ako se pećnica ne održava čistom, to može uzrokovati površinska oštećenja koja mogu negativno utjecati na vijek trajanja uređaja i to može uzrokovati potencijalne rizike.
14. Nemojte odlagati uređaj s kućanskim otpadom; stare se pećnice trebaju odlagati u posebne centre za otpad, ovisno o gradskoj upravi.
15. Kada se mikrovalna pećnica upotrebljava u funkciji roštilja, može se pojaviti mala količina dima i neugodnog mirisa koji će nestati nakon određenog vremena upotrebe.

## 7.2 Pohrana

- Ako ne planirate koristiti uređaj dulje vrijeme, pažljivo ga pohranite.
- Provjerite da je uređaj isključen iz struje, da se ohladio i da je u potpunosti suh.
- Pohranite uređaj na hladnom i suhom mjestu.
- Držite uređaj podalje od dosega djece.

## 7.3 Rukovanje i transport

- Za vrijeme rukovanja i transporta nosite uređaj u njegovom originalnom pakiranju.
- Pakiranje štiti uređaj od fizičkih oštećenja.
- Ne stavljajte teške predmete na uređaj ili na pakiranje. Uređaj se može oštetiti.

## 8 Rješavanje problema

Normalno	
Mikrovalna pećnica ometa TV-prijem	Tijekom rada mikrovalne pećnice, može doći do smetnji u radio i TV-prijemu. Te su smetnje slične kao i one uzrokovane malim električnim uređajima poput miksera, usisavača i električnog sušila za kosu. To je normalno.
Svjetlo pećnice prigušeno je	Tijekom mikrovalnog kuhanja niske snage, svjetlo pećnice može biti prigušeno. To je normalno.
Para se nakuplja na vratima, vrući zrak izlazi iz otvora	Tijekom kuhanja, para može izlaziti iz hrane. Većina te pare izaći će kroz otvore. Ali dio se može nakupiti na hladnim mjestima poput vrata pećnice. To je normalno.
Pećnica se slučajno uključila, a unutra nema hrane.	Pećnica se ne smije uključiti ako u njoj nema hrane. To je vrlo opasno.

Problem	Mogući uzrok	Rješenje
Pećnica se ne može uključiti.	1) Kabel napajanja nije ispravno uključen.	Isključite ga. Zatim ga ponovo uključite nakon 10 sekundi.
	2) Osigurač je pregorio ili je aktiviran prekidač strujnog kruga.	Zamijenite osigurač ili ponovo postavite prekidač strujnog kruga (koji je popravilo profesionalno osoblje naše tvrtke).
	3) Problem s utičnicom.	Isprobajte utičnicu s drugim električnim uređajima.
Pećnica se ne zagrijava.	4) Vrata nisu ispravno zatvorena.	Ispravno zatvorite vrata.

## Najsôr si preãítajte tento návod!

Vážení zákazníci,

ãakujeme Vám, že ste si zvolili spotrebiã Beko. Dúfame, že z vášho produktu, ktorý bol vyrobený pomocou vysoko kvalitnej a najmodernejšej technológie, získate najlepšie výsledky. Z tohto dôvodu si pred použitím zariadenia pozorne preãítajte celú používateľskú príručku a všetky ďalšie sprievodné dokumenty a uschovajte ich ako referenciu pre budúce použitie. Ak produkt odovzdáte niekomu inému, odovzdajte mu tiež návod na použitie. Postupujte podľa všetkých varovaní a informácií uvedených v používateľskej príručke.

### Významy symbolov

V tlačidlá rôznych ãastiach tohto návodu sa používajú nasledovné symboly:



Dôležitá informácia a užitočné rady o použití.



Varovanie pred nebezpečnými situáciami v súvislosti so bezpečnosťou života a majetku.



Varovanie pred horúcimi povrchmi.



Varovanie pred zásahom elektrickým prúdom.



Varovanie pred rizikom vzniku požiaru.



Tento produkt bol vyrobený v moderných závodoch šetrných k životnému prostrediu bez poškodzovania prírody.

# 1 Dôležité bezpečnostné a environmentálne pokyny

## Dôležité bezpečnostné pokyny si pozorne prečítajte a uchovajte do budúcnosti

### 1.1 Bezpečnostné Upozornenia

Táto časť obsahuje bezpečnostné pokyny, ktoré vám pomôžu chrániť sa pred rizikom vzniku požiaru, vystaveniu sa uniknutej mikrovlnnej energii, fyzickým zraneniam alebo škodám na majetku. Nedodržanie týchto pokynov ruší záruku.

- Mikrovlnné rúry značky Beko sú v súlade s platnými bezpečnostnými štandardmi. V prípade akéhokoľvek poškodenia spotrebiča alebo napájacieho kábla je nevyhnutné ho dať opraviť predajcovi, servisnému stredisku alebo odborníkovi čo podobnému oprávnenému poskytovateľovi služieb, čím sa predíde akémukoľvek nebezpečenstvu. Chybná alebo neodborná oprava môže byť nebezpečná a pre používateľa predstavuje riziko.
- Toto zariadenie je určené pre použitie v domácnosti a v podobných podmienkach, ako sú napríklad:
  - Kuchynské miestnosti pre personál v obchodoch, kanceláriách a v iných pracovných prostrediach;
  - Farmové domy
  - Pre hotelových hostí a iné typy obytných prostredí;
  - V ubytovacích zariadeniach typu bed and breakfast;
- Nie je určená na priemyselné alebo laboratórne využitie.
- Nepokúšajte sa spustiť rúru, ak sú otvorené jej dvierka; inak by ste mohli byť vystavení škodlivej mikrovlnnej energii. Bezpečnostné zámky neblokujte ani nepozmeňujte.
- Mikrovlnná rúra je určená na ohrev jedál a nápojov. Sušenie potravín alebo odevov a ohrev otepľovacích podložiek, papúč, špongií, vlhkej handričky a podobne môže viesť k riziku poranenia, vznietenia alebo požiaru.



# 1 Dôležité bezpečnostné a environmentálne pokyny

- Medzi prednú stranu a dverka rúry nedávajte žiadne predmety. Dbajte na to, aby sa na uzatváracích plochách nemohli hromadiť zvyšky nečistôt alebo čistiacich prostriedkov.
- Všetky servisné práce spojené s odstránením krytu, ktorý poskytuje ochranu pred vystavením mikrovlnnej energii, musia vykonávať autorizované osoby / servis. Akýkoľvek iný prístup je nebezpečný.
- Váš výrobok je určený na pečenie, ohrievanie a rozmrazovanie jedál doma. Nesmie sa používať na komerčné účely.
- Vaša rúra nie je navrhnutá na sušenie žiadnej živej bytosti.
- Nepoužívajte prístroj na sušenie odevov alebo kuchynských utierok.
- Nepoužívajte tento spotrebič vonku, v kúpeľni, vo vlhkom prostredí alebo na miestach, kde môže byť navlhčený.
- Za škody vzniknuté v dôsledku nesprávneho použitia alebo nesprávneho zaobchádzania so spotrebičom sa nepreberá zodpovednosť ani neposkytuje záruka.
- Prístroj nikdy svojpomocne nerozoberajte. Za škody spôsobené nesprávnou manipuláciou sa neakceptujú žiadne nároky na záruku.
- Používajte výlučne originálne diely alebo diely odporúčané výrobcom.
- Pokiaľ je spotrebič v prevádzke, nenechávajte ho bez dozoru.
- Spotrebič vždy používajte na stabilnom, rovnom, čistom, suchom a nekízavom povrchu.
- Toto zariadenie nesmie byť prevádzkované s externým časovačom alebo so samostatným systémom diaľkového ovládania.
- Pred prvým použitím spotrebiča očistite všetky jeho časti. Prečítajte si podrobnosti v časti "Čistenie a údržba".
- Spotrebič používajte výlučne na účely opísané v tomto návode.
- Spotrebič sa počas prevádzky značne zahreje. Dbajte na to, aby ste sa nedotkli horúcich častí rúry.
- Nepoužívajte rúru prázdnu.

# 1 Dôležité bezpečnostné a environmentálne pokyny

- Kuchynský riad sa môže zahriať v dôsledku tepla prenášaného z ohriateho jedla na riad. Možno budete potrebovať kuchynské rukavice.
- Skontrolujte nádoby, či sú vhodné na použitie v mikrovlnných rúrach.
- Neumiestňujte rúru na kachle alebo iné zariadenie generujúce teplo. V opačnom prípade by mohlo dôjsť k jeho poškodeniu a zrušeniu platnosti záruky.
- Po otvorení pokrmov alebo fólie po upečení jedla môže unikať para.
- Spotrebič a jeho prístupné povrchy môžu byť pri používaní veľmi horúce.
- Dvere a vonkajšie sklo môžu byť pri používaní prístroja veľmi horúce.
- Dbajte na to, aby vaša elektrická sieť vyhovovala údajom uvedeným na typovom štítku spotrebiča.
- Jediným spôsobom, ako odpojiť spotrebič od zdroja napájania, je vytiahnuť sieťovú zástrčku zo zásuvky.
- Spotrebič používajte výlučne v uzemnenej zásuvke.
- Spotrebič nepoužívajte v prípade, ak je poškodený napájací kábel či samotný spotrebič.
- Nepoužívajte tento prístroj s predlžovacím káblom.
- Nikdy sa nedotýkajte prístroja alebo jeho zástrčky vlhkými alebo mokrymi rukami.
- Spotrebič umiestnite spôsobom, aby bola zásuvka vždy prístupná.
- Dávajte pozor, aby nedošlo k poškodeniu napájacieho kábla jeho stláčaním, ohýbaním či trením o ostré hrany. Napájací kábel uchovávajte mimo horúce povrchy a priamy oheň.
- Zaisťte, aby nehrozilo, že by ste mohli náhodne potiahnuť napájací kábel alebo o neho niekto zakopnúť, keď je prístroj v prevádzke.
- Spotrebič pred každým čistením a v období nepoužívania odpojte.
- Neťahajte za napájací kábel prístroja, aby ste ho odpojili od zdroja napájania, a nikdy ho neobvívajte okolo prístroja.

# 1 Dôležité bezpečnostné a environmentálne pokyny

- Neponárajte prístroj, napájací kábel alebo sieťovú zástrčku do vody alebo iných tekutín. Nedržte ho pod tečúcou vodou.
- Pri ohreve potravín v plastových alebo papierových nádobách, sledujte rúru vzhľadom k možnosti vznietenia.
- Pred vložením vreciek do rúry odstráňte drôtené šnúrky a / alebo kovové rúčky z papierových alebo plastových vreciek.
- Ak spozorujete dym, vypnite alebo odpojte prístroj zo zásuvky, ak je to bezpečné, a nechajte dvierka zatvorené, aby nedošlo k potlačeniu ohňa.
- Mikrovlnnú rúru nepoužívajte na skladovanie. Pokiaľ rúru nepoužívate, nenechávajte v nej papierové predmety, kuchynský materiál ani potraviny.
- Obsah dojčenských fliaš a nádob s detským jedlom premiešajte alebo pretrepte a pred spotrebou skontrolujte ich teplotu, aby nedošlo k popáleniu.
- Toto zariadenie je zariadenie Skupiny 2 triedy B ISM. Skupina 2 obsahuje všetky zariadenia ISM (priemyselné, vedecké a lekárske), v ktorých sa zámerne generuje a/alebo používa rádiodiofrekvenčná energia alebo sa používa vo forme elektromagnetického žiarenia na spracovanie materiálu, a zariadenie na eróziu iskier.
- Zariadenie triedy B je vhodné na použitie v domácich zariadeniach a zariadeniach priamo pripojených k nízkonapäťovej napájacej sieti.
- V rúre nepoužívajte kuchynský olej. Horúci olej môže poškodiť komponenty a materiály rúry a môže dokonca spôsobiť popáleniny.
- Prepichnete jedlo s hustou kôrkou, ako sú zemiaky, cukety, jablká a gaštany.
- Spotrebič musí byť umiestnený tak, aby jeho zadná strana smerovala k stene.
- Pred premiestnením prístroja zaistite otočný tanier, aby nedošlo k jeho poškodeniu.

# 1 Dôležité bezpečnostné a environmentálne pokyny

- V mikrovlnnej rúre nezohrievajte vajcia v škrupine a celé natvrdo upečené vajcia, pretože môžu explodovať, a to aj po skončení mikrovlnného ohrevu.

**VÝSTRAHA:** Ak sú dvierka alebo tesnenie dvierok poškodené, nepoužívajte rúru, kým nebude opravená kvalifikovanou osobou.

**VÝSTRAHA:** Pre iné, ako kompetentné osoby je nebezpečné vykonávať akúkoľvek údržbu alebo opravy, ktoré zahŕňajú odstránenie krytu, ktorý poskytuje ochranu pred vystavením mikrovlnnej energii.

**VÝSTRAHA:** Tekutiny a iné potraviny sa nesmú ohrievať v uzavretých nádobách, pretože sú náchylné na explóziu.

- Rúru pravidelne čistíte a odstraňujete akékoľvek zvyšky jedla.
- Nad horným povrchom rúry by mal byť voľný priestor minimálne 20 cm.
- Potraviny príliš neprevarujte; inak môžete spôsobiť požiar.
- Na čistenie prístroja nepoužívajte chemikálie a parné čističe.

- Pri používaní v blízkosti detí a osôb s obmedzenými fyzickými, zmyslovými alebo duševnými schopnosťami sa vyžaduje mimoriadna opatrnosť.

- Toto zariadenie môžu používať deti vo veku 8 rokov a viac a osoby s obmedzenými fyzickými, zmyslovými alebo mentálnymi schopnosťami alebo osoby, ktoré nemajú vedomosti a skúsenosti, pokiaľ sú pod dozorom ohľadom bezpečného používania výrobku alebo sú primerane poučení alebo rozumejú rizikám používania výrobku. S týmto spotrebičom sa nesmú hrať deti. Čistenie a údržbu zariadenia by nemali vykonávať deti, pokiaľ nie sú kontrolované staršími.

## • **Nebezpečenstvo udusenía!**

Všetky obalové materiály uchovávajte mimo dosahu detí.

- Kvôli nadmernému teplu, ktoré vzniká v grilovacích a kombinovaných režimoch, deťom dovoľte používať tieto režimy iba pod dohľadom dospelšej osoby.

# 1 Dôležité bezpečnostné a environmentálne pokyny

- Udržujte produkt a jeho napájací kábel tak, aby k nim nemali prístup deti do 8 rokov.
- Nevarte jedlo priamo na sklennom podnose. Pred vložením do rúry vložte jedlo do/na príslušné kuchynské náradie.
- Počas mikrovlnného pečenia nie sú povolené kovové nádoby na jedlo a nápoje. V opačnom prípade môže dôjsť k iskreniu.
- Mikrovlnná rúra nesmie byť umiestnená v skrinke, ktorá nie je v súlade s pokynmi na inštaláciu.
- Mikrovlnná rúra je určená iba pre použitie ako zabudovaná.
- Ak sa vstavané spotrebiče používajú vo výške najmenej 900 mm nad podlahou, je treba dávať pozor, aby ste pri vyberaní nádob z prístroja nevytláčili otočný tanier.
- Ak je zabudovaný výrobok v skrinke s dverami, musí sa s výrobkom pracovať s otvorenými dverami skrinky.

## 1.2 Súlad so smernicou OEEZ a Odstránenie odpadov výrobu:

Tento výrobok spĺňa požiadavky smernice WEEE EU (2012/19/EU). Tento výrobok nesie symbol klasifikácie pre odpad z elektrických a elektronických zariadení (WEEE).



Tento symbol znamená, že na konci svojej životnosti sa tento výrobok nesmie likvidovať spolu s ostatným domovým odpadom. Použitie zariadenie sa musí odniesť na oficiálne zberné miesto na recykláciu elektrických a elektronických zariadení. Ak chcete nájsť tieto miesta zberu, obráťte sa na miestne úrady alebo na predajcu, u ktorého bol produkt zakúpený. Každá domácnosť plní dôležitú úlohu pri zhodnocovaní a recyklácii starých zariadení. Správna likvidácia použitého spotrebiča pomáha predchádzať možným negatívnym následkom pre životné prostredie a ľudské zdravie.

## 1.3 Súlad so smernicou RoHS

Vami zakúpený produkt spĺňa požiadavky smernice RoHS EÚ (2011/65/EÚ). Neobsahuje škodlivé a zakázané látky uvedené v smernici.

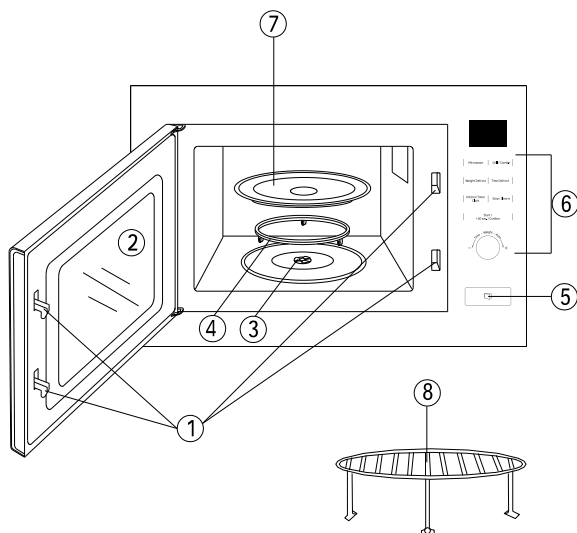
## 1.4 Informácie o balení.



Obalové materiály výrobku sú vyrobené z recyklovateľných materiálov v súlade s našimi národnými predpismi o životnom prostredí. Nevyhadzujte obalové materiály spolu s domácimi alebo inými odpadmi. Vezmite ich do zberných miest pre obalové materiály určené miestnymi orgánmi.

## 2 Vaša mikrovlnná rúra

### 2.1 Prehľad



1. Bezpečnostný blokovací systém dverí
2. Okienko rúry
3. Hriadeľ taniera
4. Otočná podpora
5. Tlačidlo otvárania dverí
6. Kontrolný panel
  - Microwave
  - Grill / Combi.
  - Weight Defrost
  - Time Defrost
  - Kitchen Timer Clock
  - Stop / Clear
  - Start/+30Sec./Confirm
  - Time / Weight / Auto (Vysúvacie tlačidlo)
7. Sklenený Plech
8. Rošt na grilovanie (Nemôže sa používať s mikrovlnnou funkciou a musí sa umiestniť na sklenenú misku.)

### 2.2. Technické údaje

<b>Spotreba elektrickej energie</b>	230 V~50 Hz, 1270 W (mikrovlna) 1 000 W (gril)
<b>Výstup</b>	800 W
<b>Pracovná frekvencia</b>	2450 MHz
<b>Vonkajšie rozmery (VxŠxH) mm</b>	387x594x333
<b>Kapacita rúry</b>	20 litrov
<b>Netto hmotnosť</b>	16,5 kg
<b>Color (Farba)</b>	Čierna

Technické práva a práva na zmeny dizajnu sú vyhradené.

Značky na prístroji alebo hodnoty uvedené v iných dokumentoch dodávaných s výrobkom sú hodnotami získanými za laboratórnych podmienok podľa príslušných noriem. Tieto hodnoty sa môžu líšiť v závislosti od používania prístroja a okolitých podmienok. Hodnoty výkonu sa testujú pri 230 V.

## 3 Inštalácia a pripojenie

### 3.1 Inštalčný návod

- Dodržujte špeciálne pokyny pre inštaláciu.
- Spotrebič je možné inštalovať do 60 cm širokej nástennej skrinky.
- Spotrebič je vybavený zástrčkou a môže byť pripojený iba k riadne inštalovanej zásuvke s ochranným kontaktom.
- Sieťové napätie musí zodpovedať napätiu uvedeného na typovom štítku.
- Zásuvka musí byť inštalovaná a pripojovací kábel smie byť vymenený len kvalifikovaným elektrikárom. Ak zástrčka po inštalácii už nie je prístupná, na inštaláčnej strane musí byť k dispozícii zariadenia na odpojenie všetkých pólov so vzdialenosťou kontaktov najmenej 3 mm.



**VÝSTRAHA:** Nesmú sa používať adaptéry, viaccestné pásy a predživacie káble. Preťaženie môže spôsobiť nebezpečenstvo požiaru.

### 3.2 Elektrické pripojenie

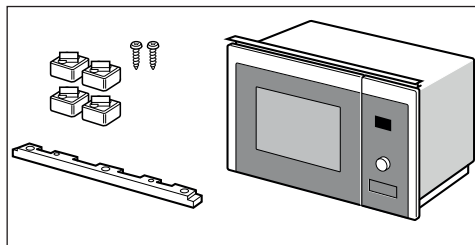
- Spotrebič je vybavený zástrčkou a môže byť pripojený iba k riadne inštalovanej zásuvke s ochranným kontaktom.
- Zásuvku môže inštalovať alebo vymeniť pripojovací kábel iba kvalifikovaný elektrikár, ktorý zohľadňuje príslušné predpisy.
- Ak zástrčka po inštalácii už nie je prístupná, na inštaláčnej strane musí byť k dispozícii zariadenia na odpojenie všetkých pólov so vzdialenosťou kontaktov najmenej 3 mm.
- V rámci inštalácie musí byť zabezpečená ochrana kontaktov.

### 3.3 Spotrebič v jednotke na zavesenie na stenu

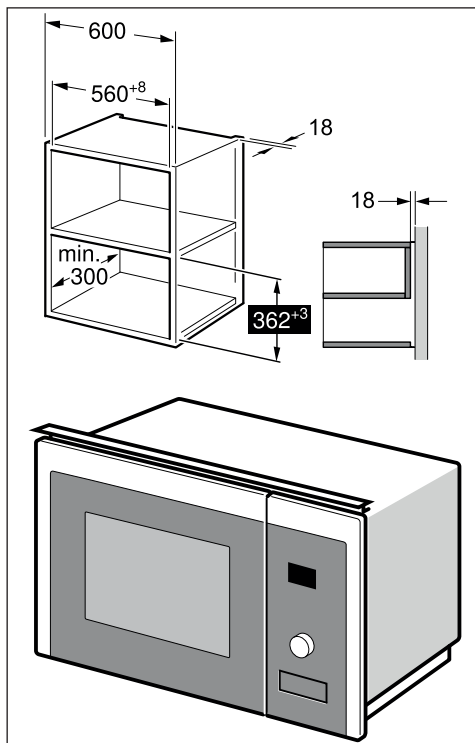
Inštaláčna skrinka nesmie mať za prístrojom zadný panel.

Minimálna výška inštalácie: 850 mm. Vetracie otvory a vstupy nesmú byť zakryté.

Časti;



#### Zariadenie v jednotke na zavesenie na stenu



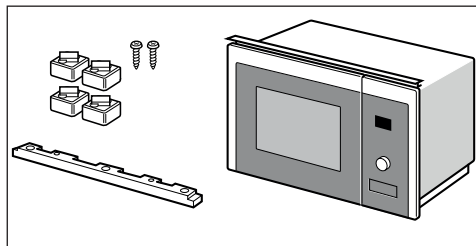
## 3 Inštalácia a pripojenie

### 3.4 Spotrebič vo vysokej jednotke

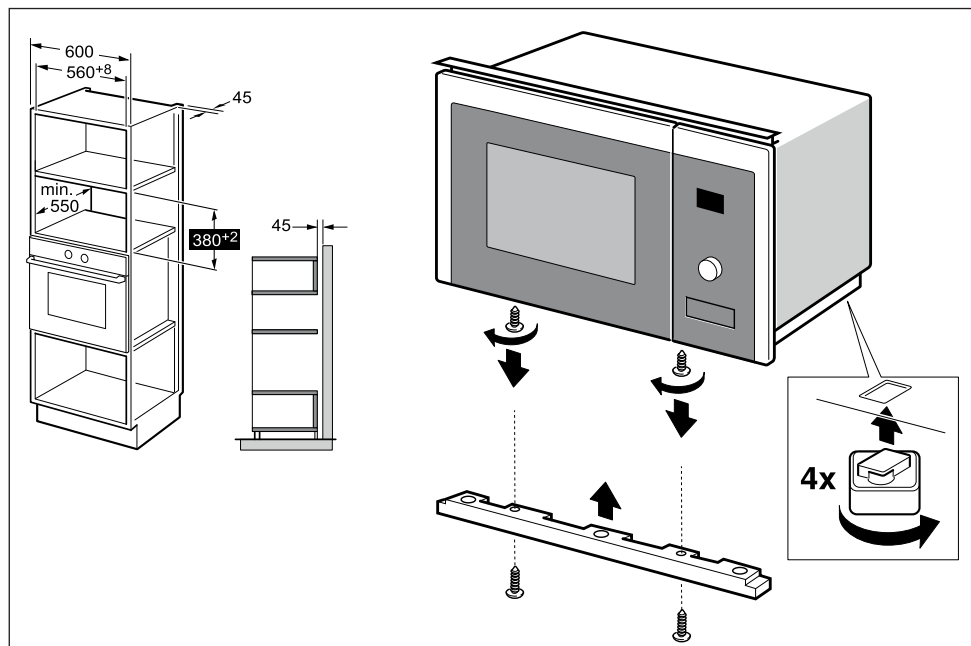
Inštaláčna skrinka nesmie mať za prístrojom zadný panel.

Minimálna výška inštalácie: 850 mm. Vetracie otvory a vstupy nesmú byť zakryté.

**Časti;**



**Spotrebič vo vysokej jednotke**



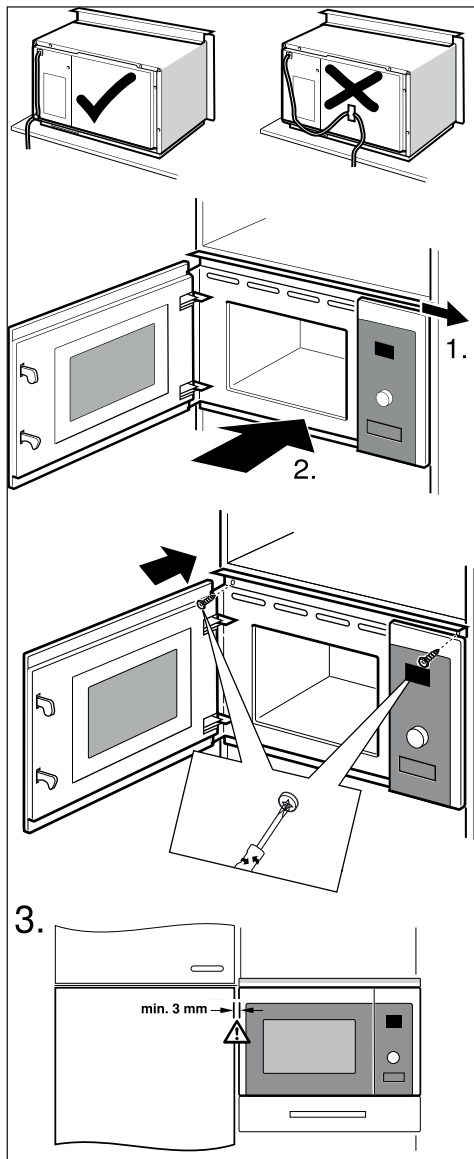


## 3 Inštalácia a pripojenie

### 3.5 Inštalácia rúry



**VÝSTRAHA:** Nezachytávajújte a neza-  
uzlujte sieťový kábel.



### 3.6 Inštalácia otočného taniera

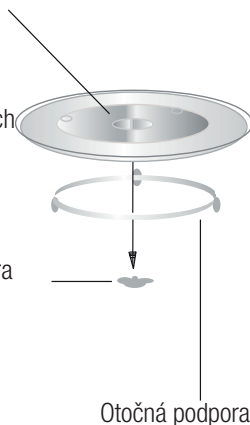
- Nikdy neumiestňujte sklenený podnos hore nohami. Sklenený podnos nesmie byť obmedzovaný.
- Počas pečenia musí byť vždy použitá sklenená tácka aj podpera otočného taniera.
- Všetko jedlo a nádoby s jedlom musia byť pri pečení položené na sklenenom podnose.
- Ak sklenený podnos alebo podnos otočného taniera prasknú alebo sa zlomia, obráťte sa na najbližšie autorizované servisné stredisko.

Stred (spodná strana)

Sklenený plech

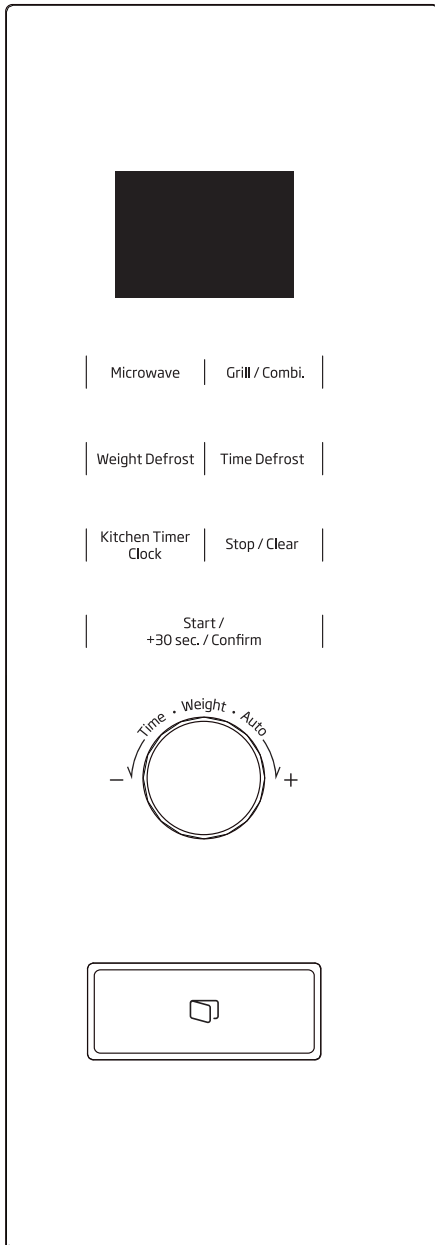
Hriadeľ taniera

Otočná podpora



## 4 Prevádzka

### 4.1 Ovládací panel



### 4.2 Nastavenie hodín

Keď je mikrovlnná rúra zapojená do elektrickej siete, na rúre sa zobrazí "0:00", a bzučiak raz zazvoní. Rúra na pečenie prejde do stavu čakania.

1. Dvackrát stlačte "Kitchen Timer/Clock" a hodiny začnú blikať.
2. Otáčaním "Time / Weight / Auto" nastavíte hodinu; vstupná hodnota by mala byť medzi 0 a 23.
3. Stlačte "Kitchen Timer/Clock" a začnú blikať číslice minút.
4. Otáčaním "Time / Weight / Auto" nastavíte minúty; vstupná hodnota by mala byť medzi 0 a 59.
5. Stlačením "Kitchen Timer/Clock" dokončíte nastavenie času. Začne blikať symbol ":" a čas sa rozsvieti.



Ak nie sú hodiny nastavené, nebudú po zapnutí pracovať.

### 4.3 pečenie v mikrovlnnej rúre

1. Stlačte raz tlačidlo "Microwave" a zobrazí sa "P100".
2. Opätovným stlačením tlačidla "Microwave" alebo otáčaním tlačidla "Time / Weight / Auto" vyberte požadovaný výkon. Po každom stlačení klávesu sa zobrazí "P100, P80, P50, P30" alebo "P10".
3. Stlačením tlačidla "Start/+30 Sec./Confirm" potvrdíte požadovaný výkon.
4. Otočením "Time / Weight / Auto" nastavíte čas pečenia na hodnotu medzi 0:05 a 95:00.
5. Opätovným stlačením tlačidla "Start/+30 Sec./Confirm" spustíte pečenie.
6. Čas na obrazovke sa začne odpočítavať.
7. Po dokončení procesu je počuť "pípnutie".

## 4 Prevádzka

Kroky na nastavenie času v tlačidle kódovania sú uvedené nižšie:

Nastavenie trvania	Výška prírastku
0-1 minút	5 sekúnd
1-5 minút	10 sekúnd
5-10 minút	30 sekúnd
10-30 minút	1 minúta
30-95 minút	5 minút

### Graf mikrovlnného výkonu

Výkon mikrovlnnej rúry	Vysoký	stred. Vysoký	Stredný	Stredný Nízky	Nízky
Displej	P100	P80	P50	P30	P10

### 4.4 Grilovanie alebo kombi. pečenie

1. Stlačte raz "Grill / Combi.", na obrazovke sa zobrazí "G".
2. Opakovaným stláčaním alebo otáčaním "Time / Weight / Auto" zvolíte požadovaný výkon, na displeji sa zobrazí "G", "C-1" alebo "C-2".
3. Stlačením tlačidla "Start/+30Sec./Confirm" potvrdíte napájanie.
4. Otočením "Time / Weight / Auto" nastavíte čas pečenia. (Maximálna doba pečenia je 95 minút.)
5. Opätovným stlačením tlačidla "Start/+30Sec./Confirm" spustíte pečenie.
6. Čas na obrazovke sa začne odpočítavať.
7. Po dokončení procesu je počuť "pípnutie".

### Pokyny pre kombinované napájanie

Program	Displej	Výkon mikrovlnnej rúry	Grilový výkon
Grilovanie	G	0%	100%
Kombi.1	C-1	55%	45%
Kombi.2	C-2	36%	64%



Po uplynutí polovice doby času grilovania sa ozve dvakrát pípnutie, čo je normálne. Pre lepší účinok pri grilovaní, jedlo otočte, zavrite dverka a potom pokračujte v pečení stlačením tlačidla "Start/+30Sec./Confirm". Ak nevykonáte žiadny úkon, rúra bude pokračovať v činnosti.

### 4.5 Rozmrazovanie podľa hmotnosti

1. Raz stlačte "Weight Defrost", na displeji sa zobrazí „dEF1“.
2. Otáčaním "Time / Weight / Auto" zvolíte hmotnosť jedla. Rozsah hmotnosti je 100-2000 g.
3. Stlačením tlačidla "Start/+30Sec./Confirm" spustíte rozmrazovanie.
4. Čas na obrazovke sa začne odpočítavať.
5. Po dokončení procesu je počuť "pípnutie".



Po uplynutí polovice doby času rozmrazovania sa ozve dvakrát pípnutie, čo je normálne. Pre lepší účinok rozmrazovania, jedlo otočte, zavrite dverka a potom pokračujte v pečení stlačením tlačidla "Start/+30Sec./Confirm". Ak nevykonáte žiadny úkon, rúra bude pokračovať v činnosti.

### 4.6 Rozmrazovanie podľa času

1. Raz stlačte "Time Defrost", na displeji sa zobrazí "dEF2".
2. Otáčaním "Time / Weight / Auto" zvolíte dobu pečenia. Maximálny čas je 95 minút.
3. Stlačením tlačidla "Start/+30Sec./Confirm" spustíte rozmrazovanie.
4. Čas na obrazovke sa začne odpočítavať.
5. Po dokončení procesu je počuť "pípnutie".

## 4 Prevádzka



Po uplynutí polovice doby času rozmrazovania sa ozve dvakrát pípnutie, čo je normálne. Pre lepší účinok rozmrazovania, jedlo otočte, zavrite dverka a potom pokračujte v pečení stlačením tlačidla "Start/+30Sec./Confirm". Ak nevykonáte žiadny úkon, rúra bude pokračovať v činnosti.

### 4.7 Viacetapové pečenie

Maximálne je možné nastaviť 2 etapy. Ak sa jedna etapa rozmrazuje, automaticky sa zaraďí do prvej etapy. Po každej etape zaznie raz bzučiak a spustí sa ďalšia etapa.



Ako viacetapové nie je možné nastaviť automatické menu a rýchle pečenie.

**Príklad:** Ak chcete jedlo rozmraziť po dobu 5 minút, a piecť ho s 80% mikrovlnným výkonom po dobu 7 minút.

#### Kroky sú nasledovné:

1. Raz stlačte "Time Defrost", na displeji sa zobrazí "dEF2".
2. Otočením "Time / Weight / Auto" upravte čas rozmrazovania na 5 minút;
3. Stlačte raz tlačidlo "Microwave", na obrazovke sa zobrazí "P100".
4. Opakovaným stlačením tlačidla "Microwave" vyberte mikrovlnný výkon, až kým sa nezobrazí hodnota "P80";
5. Stlačením tlačidla "Start/+30Sec./Confirm" potvrdíte výber.
6. Otočením "Time / Weight / Auto" nastavíte čas pečenia na 7 minút;
7. Stlačením tlačidla "Start/+30Sec./Confirm" spustíte pečenie.
8. Po dokončení procesu je počuť "pípnutie".

### 4.8 Kuchynský časovač

1. Stlačte jedenkrát "Kitchen Timer/Clock", na obrazovke sa zobrazí "00:00".
2. Otočením "Time / Weight / Auto" zadajte správnu hodnotu časovača. (Maximálna doba pečenia je 95 minút.)
3. Stlačením tlačidla "Start/+30Sec./Confirm" potvrdíte výber.
4. Čas na obrazovke sa začne odpočítavať.
5. Po dokončení procesu je počuť "pípnutie".

### 4.9 Ponuka Auto

1. V stave čakania zvolíte menu otáčaním "Time / Weight / Auto" doprava. Na obrazovke sa zobrazí "A1".
2. Otočením "Time / Weight / Auto" zvolíte požadované menu, zobrazí sa "A1" až "A8".
3. Stlačením tlačidla "Start/+30Sec./Confirm" potvrdíte menu.
4. Otáčaním "Time / Weight / Auto" zvolíte hmotnosť jedla.
5. Opätovným stlačením tlačidla "Start/+30Sec./Confirm" spustíte pečenie.
6. Čas na obrazovke sa začne odpočítavať.
7. Po dokončení procesu je počuť "pípnutie".

## 4 Prevádzka

### Graf ponúk:

Ponuka	Hmotnosť	Napájanie
A 1 - Pizza	200 g	100% (Mic.)
	400 g	
A 2 - Mäso	250 g	100% (Mic.)
	350 g	
	450 g	
A 3 - Zelenina	200 g	100% (Mic.)
	300 g	
	400 g	
A 4 - Cestoviny	50 g (so 450 g studenej vody)	80% (Mic.)
	100g (so 800g studenej vody)	
A 5 - Zemiaky	200 g	100% (Mic.)
	400 g	
	600 g	
A 6 - Ryby	250 g	80% (Mic.)
	350 g	
	450 g	
A 7 - nápoje	1 šálka (asi 120 ml)	100% (Mic.)
	2 šálky (asi 240 ml)	
	3 šálky (asi 360 ml)	
A 8 - Popcorn	50 g	100% (Mic.)
	100 g	

### 4.10 Rýchle pečenie

1. V čakajúcom stave stlačte tlačidlo "Start/+30Sec./Confirm", aby ste varili so 100% úrovňou výkonu po dobu 30 sekúnd. Každé stlačenie toho istého klávesu predĺži dobu o 30 sekúnd. Maximálna doba pečenia je 95 minút.
2. Počas používania mikrovln, grilovania, kombinovaného pečenia a rozmrazovania podľa času stlačte tlačidlo "Start/+30Sec./Confirm", pre predĺženie času pečenia.

3. Za stavu automatického menu a rozmrazovania podľa hmotnosti nemožno dobu pečenia predĺžiť stlačením tlačidla "Start/+30Sec./Confirm".

4. V stave čakania otočte "Time / Weight / Auto" doľava a vyberte čas pečenia. Po nastavení času pečenia stlačte "Start/+30Sec./Confirm", pre spustenie mikrovlnného pečenia na 100% výkone.

### 4.11 Funkcia blokovania pre deti

**Blokovanie:** V stave čakania stlačte tlačidlo "STOP/Clear" po dobu 3 sekundy, pre vstup do stavu detskej zámky, a ak je nastavený čas, zobrazí sa aktuálny čas, v opačnom prípade sa na obrazovke zobrazí "🔒".

**Ukončenie blokovania:** V uzamknutom stave stlačte tlačidlo "STOP/Clear" na 3 sekundy, zámok sa odblokuje.

### 4.12 Dopytovacia funkcia

1. Pri pečení v mikrovlnnej rúre alebo grile a v kombinácii. Stlačte tlačidlo "Microwave" alebo "Gril / Combi", na 3 sekundy sa zobrazí aktuálny výkon.
2. Ak sú hodiny nastavené, počas pečenia stlačte "Kitchen Timer/Clock", pre skontrolovanie aktuálneho času. Zobrazí sa na 3 sekundy.

### 4.13 Špecifikácia

1. Ak sú dvierka počas pečenia otvorené, zatvorte ich a potom stlačte "Start/+30Sec./Confirm", pre pokračovanie vo pečení.
2. Akonáhle je program pečenia nastavený, nestlačí sa "Start/+30Sec./Confirm" do 1 minúty. Zobrazí sa aktuálny čas. Nastavenie sa zruší.
3. Pri efektívnom stlačení zaznie raz bzučiak, neefektívne stlačenie nespôsobí odozvu.

## 5 Tipy na pečenie

Výsledok pečenia môžu ovplyvňovať nasledujúce faktory:

### Rozloženie jedla

Hrubšie časti ukladajte smerom von z misky, tenšie časti smerom do stredu a rovnomerne ich rozložte. Pokiaľ je to možné, neprekývajte ich.

### Dĺžka pečenia

Začnite variť s krátkym nastaveným časom, po uplynutí časového limitu ho vyhodnotte a predĺžte podľa aktuálnej potreby. Prepečenie môže spôsobiť dym a popáleniny.

### Rovnomerné pečenie jedla

Počas pečenia by ste mali jedlo ako kuracie mäso, hamburger alebo steak raz otočiť.

Podľa druhu jedla, ak je to vhodné, ich počas pečenia raz alebo dvakrát premiešajte zvonka do stredu misky

### Nechajte odstáť

Po uplynutí časového limitu nechajte jedlo v rúre na primeranú dobu, čo umožní dokončiť jeho cyklus pečenia a postupné ochladenie.

### Ak je jedlo hotové

Farba a tvrdosť jedla pomáhajú určiť, či je už hotové, patria sem tiež znaky:

- Para vychádzajúca zo všetkých častí jedla, nielen z okraja
- Kíby hydiny sa dajú ľahko posúvať
- Bravčové alebo hydinové mäso nejaví známky krvi
- Ryby sú nepriehľadné a dajú sa ľahko krájať vidličkou

### Riad na browning

Pri použití riadu na browning alebo samoohrievacej nádoby pod ňu vždy vložte tepelne odolný izolátor, napríklad porcelánový tanier, aby nedošlo k poškodeniu otočného taniera a rotujúceho krúžku.

### Plastový obal vhodný pre mikrovlnnú rúru

Pri pečení jedál s vysokým obsahom tuku zabráňte kontaktu plastového obalu s potravinami, pretože by sa mohol roztváť

### Plastový riad vhodný pre mikrovlnné rúry

Niektorý plastový riad vhodný pre mikrovlnné rúry nemusí byť vhodný na pečenie jedál s vysokým obsahom tuku a cukru. Rovnako nesmie byť prekročený čas predohrevu uvedený v návode na použitie riadu.

## 6 Pokyny pre riad

### 6.1 Materiály, ktoré môžete použiť v mikrovlnnej rúre alebo ktorým sa treba vyhnúť v mikrovlnnej rúre



Nebezpečenstvo zranenia osôb Pre iné, ako kompetentné osoby je nebezpečné vykonávať akúkoľvek údržbu alebo opravy, ktorá zahŕňajú odstránenie krytu, ktorý poskytuje ochranu pred vystavením mikrovlnnej energii.

Viď pokyny v "Materiály, ktoré môžete použiť v mikrovlnnej rúre, alebo Materiály, ktoré nesmiete používať v mikrovlnnej rúre". Existujú určité nekovové riady, ktoré nie sú bezpečné pre použitie v mikrovlnnej rúre. V prípade pochybností, môžete otestovať kuchynský riad nižšie uvedeným postupom.

#### Test riadu:

1. Naplňte nádobu určenú do mikrovlnnej rúry s 1 šálkou studenej vody (250 ml), spolu s testovaným kuchynským riadom.
2. Varte na maximálnom výkone po dobu 1 minúty.
3. Opatrne chyťte riad. Ak je riad teplý, nepoužívajte ho na pečenie v mikrovlnnej rúre.
4. Neprekračujte čas ohrevu 1 minútu.

Materiály, ktoré môžete používať v mikrovlnnej rúre	
Kuchynské náradie	Poznámky
Hliníková fólia	Iba na zakrytie. Malé hladké kusy je možné použiť pre zakrytie tenkých častí mäsa alebo hydiny, aby sa zabránilo ich prepečeniu. Pokiaľ je fólia príliš blízko stien rúry, môže dôjsť k iskreňiu. Fólia by mala byť aspoň na 1 palec (2,5 cm) od stien rúry.
Riad na browning	Postupujte podľa pokynov výrobcu. Spodná časť hlineného riadu musí mať aspoň 3/16 palca (5 mm) nad otočným stolom. Nesprávne použitie môže spôsobiť prasknutie taniera.
Stolný riad	Iba určený do mikrovlnnej rúry. Postupujte podľa pokynov výrobcu. Nepoužívajte prasknutý alebo obitý riad.
Sklenené poháre	Vždy odstráňte viečko. Používajte len na ohrev jedla až kým nie je teplé. Väčšina sklenených pohárov neodoláva teplotám a môže prasknúť.
Sklenený riad	Len tepelne odolný sklenený riad určený do rúry. Uistite sa, že nie je sú nej žiadne kovové časti. Nepoužívajte prasknutý alebo obitý riad.
Vrecká na varenie v rúre	Postupujte podľa pokynov výrobcu. Nezatvárajte s kovovou slučkou. Urobte zárezy, aby mohla unikáť para.
Papierové taniere a poháre	Použite len pre krátkodobé pečenie/ohrev. Počas pečenia rúru nenechávajte bez dozoru.
Papierové utierky	Použite pre zakrytie jedla pre prihrievanie a absorbovanie tuku. Použitie s dozorom iba pre krátkodobé pečenie.
Pergamenový papier	Používajte ako obal pre zabránenie špliechania alebo ako obal pre naparovanie.

## 6 Pokyny pre riad

Plast	Iba určený do mikrovlnnej rúry. Postupujte podľa pokynov výrobcu. Iba označený ako "Microwave Safe" (Bezpečné pre použitie v mikrovlnnej rúre). Niektoré plastové nádoby zmäknú, keď sa jedlo vo vnútri zahreje. „Varné sáčky“ a vzduchotesne uzavreté plastové sáčky by mali byť prederavené alebo ventilované podľa doporučenia na balení.
Plastový obal	Iba určený do mikrovlnnej rúry. Použite pre zakrytie jedla v priebehu pečenia, pre zachovanie šťavnatosti. Dávajte pozor, aby sa plastový obal nedotýkal jedla.
Teplomery	Iba Microwave-safe (bezpečné pre užitie v mikrovlnnej rúre) (teplomery pre určenie teploty mäsa a sladkostí).
Voskovaný papier	Použite pre zakrytie pokrmu pre zabránenie striekaniu a uchovanie vlhkosti.
<b>Materiály, ktoré sa v mikrovlnnej rúre nesmú používať</b>	
Hliníkový podnos	Môže spôsobiť iskrenie. Preložte jedlo do misky mikrovlnnej rúry.
Krabica na potraviny s kovovou rukoväťou	Môže spôsobiť iskrenie. Preložte jedlo do misky mikrovlnnej rúry.
Kovové alebo kovom zdobené nádoby	Kov bráni prístupu mikrovlnnej energie k jedlu. Kov môže spôsobiť iskrenie.
Kovové drôtičky	Môžu spôsobiť iskrenie, elektrický výboj a požiar v rúre.
Papierové sáčky	Môže v rúre spôsobiť požiar.
Umelohmotná pena	Umelohmotná pena keď je vystavená vysokým teplotám, sa môže rozpustiť alebo kontaminovať tekutinu v jej vnútri.
Drevo	Drevo pri použití v mikrovlnnej rúre vyschne a môže sa rštiepiť alebo praskať.



# 7 Čistenie a údržba

## 7.1 Čistenie



**VÝSTRAHA:** Na čistenie spotrebiča nikdy nepoužívajte benzín, rozpúšťadlo, abrazívne čistiace prostriedky, kovové predmety ani tvrdé kefy.



**VÝSTRAHA:** Nikdy neponárajte prístroj alebo jeho napájací kábel do vody alebo do inej tekutiny.

1. Vypnite a odpojte spotrebič zo zásuvky.
2. Počkajte, kým prístroj úplne nevychladne.
3. Vnútny priestor rúry udržiavajte čistý. Ak sa na steny spotrebiča dostanú postriekané jedlá alebo rozliate tekutiny, utrite ich vlhkou handričkou. Ak sa prístroj veľmi znečistí, môžete použiť jemný čistiaci prostriedok. Nepoužívajte spreje a iné drsné čistiace prostriedky, pretože by mohli spôsobiť škvrny, stopy a nepriehľadnosť povrchu dverí.
4. Vonkajšie povrchy spotrebiča musia byť očistené vlhkou handričkou. Zabráňte vniknutiu vody z ventilačných otvorov, aby ste zabránili poškodeniu prevádzkových častí prístroja.
5. Otvory na oboch stranách dverí a sklo, tesnenie dverí a časti v blízkosti tesnení často utierajte vlhkou handričkou, aby ste odstránili pretečúce a špliechajúce škvrny. Nepoužívajte abrazívne čistiace prostriedky.
6. Nenechajte ovládací panel navlhnúť. Čistite jemnou vlhkou handričkou. Počas čistenia ovládacieho panela nechajte dvierka prístroja otvorené, aby ste zabránili neúmyselnému uvedeniu do činnosti.
7. Ak sa vo vnútri alebo okolo dvierok spotrebiča nahromadí para, utrite ju mäkkou handričkou. K tomu môže dôjsť, keď je mikrovlnná rúra prevádzkovaná za podmienok vysokej vlhkosti. To je normálne.
8. V niektorých prípadoch bude možno potrebné kvôli vyčisteniu odobrať sklenený podnos. Podnos umyte v teplej mydlovej vode alebo v umývačke riadu.
9. Valčekový krúžok a dno prístroja pravidelne čistite, aby nedošlo k nadmernému hluku.
10. Stačí utrieť spodný povrch spotrebiča jemným čistiacim prostriedkom. Valčekový krúžok je možné umývať v teplej mydlovej vode alebo v umývačke riadu. Keď odstránite valčekový krúžok zo dna prístroja kvôli čisteniu, nezabudnite ho počas výmeny namontovať do správnej polohy.
11. Pre odstránenie nepríjemného zápachu z vášho prístroja, vložte pohár vody a šľavy a kôru z citróna do hlbkej misky vhodnej na použitie v mikrovlnnej rúre a nechajte prístroj v mikrovlnnej prevádzke 5 minút. Dôkladne utrite a osušte mäkkou handričkou.
12. Ak je potrebné vymeniť žiarovku, obráťte sa na autorizovaný servis.
13. Spotrebič pravidelne čistite a odstraňujte akékoľvek zvyšky jedla. Ak nebude prístroj udržiavaný čistý, môže to spôsobiť povrchové chyby, ktoré by nepriaznivo ovplyvnili životný cyklus prístroja a ktoré by mohli spôsobiť riziká.
14. Neodhadzujte tento prístroj do domového odpadu; staré rúry sa zneškodnia v špeciálnych zberných strediskách poskytovaných obcami.
15. Keď sa prístroj používa na grilovanie, môže sa vyskytnúť malé množstvo dymu a zápachu, ktoré po určitej dobe používania zmizne.

## 7.2 Skladovanie

- Ak nechcete spotrebič dlhšiu dobu používať, opatrne ho uložte, prosím.
- Uistite sa, že je spotrebič odpojený od elektrickej siete, vychladený a úplne suchý.
- Spotrebič skladujte na chladnom a suchom mieste.
- Uchovávajte prístroj mimo dosahu detí.

## 7 Čistenie a údržba

### 7.3 Zaobchádzanie a preprava

- Počas manipulácie a prepravy majte prístroj v pôvodnom obale.
- Balenie spotrebiča ho chráni pred fyzickým poškodením.
- Na zariadenie ani na obal nekladte ťažké bremená. Môže dôjsť k poškodeniu spotrebiča.

## 8 Odstraňovanie problémov

Štandard	
Mikrovlnná rúra ruší príjem TV	Pri prevádzke mikrovlnnej rúry môže byť rušený príjem rozhlasu a televízie. Je to obdobné rušeniu spôsobeného malými elektrickými zariadeniami ako mixér, vysávač alebo fén. To je normálne.
Svetlo v rúre je tlmené	Pri mikrovlnnom varení s nízkym výkonom môže byť svetlo rúry stlmené. To je normálne.
Na dverách sa akumuluje para, z ventilačných otvorov vychádza horúci vzduch.	Počas pečenia môže z jedla vznikáť para. Väčšina tejto pary sa dostane von cez prieduchy. Časť sa však môže akumulovať na chladnejšom mieste akým sú napr. dvierka rúry. To je normálne.
Rúra bola omylom spustená bez jedla vo vnútri.	Nie je dovolené prevádzkovať spotrebič bez akýchkoľvek jedál vo vnútri. Je to veľmi nebezpečné.

Problém	Možné príčiny	Riešenie
Rúra sa nedá spustiť.	1) Napájací kábel nie je správne zapojený.	Odpojte ho. Potom ho po 10 sekundách znova zapojte.
	2) Poistka je prepálená alebo je aktivovaný istič.	Nahradte poistku alebo zapnite istič prúdu (opravený odborným personálom našej spoločnosti)
	3) Problémy so zásuvkou.	Skontrolujte zásuvku pomocou iných elektrických spotrebičov.
Rúra neheje.	4) Dvere nie sú správne zatvorené.	Správne zatvorte dvere.

# ZÁKAZNÍCKE CENTRUM BEKO

BEKO Slovakia s.r.o., Suché mýto 1, 811 03 Bratislava

Denne od 8:00 do 18:00

Pomôže vyriešiť záručné, prípadne pozáručné opravy výrobkov BEKO

Kontakt	<b>0800 171 250</b>
e-mail	<b>zakaznickecentrumsk@bekosa.cz</b>
Objednávka opravy spotrebiča on-line	<a href="http://www.bekosk.sk">www.bekosk.sk</a>
ZÁRUKA 5 ROKOV – podmienky a registrácie on-line	<a href="http://www.bekosk.sk">www.bekosk.sk</a>

## ZÁRUČNÉ PODMIENKY SR

a) Platný a čitateľný predajný doklad, ktorý obsahuje dátum predaja, model spotrebiča a označenie predajcu oprávňuje užívateľa využiť záruku na výrobok v súlade s ustanoveniami zák. č. 40/1964 Zb. Občianskeho zákonníka, v platnom znení.

b) Ak nie je stanovené inak, je záručná doba na výrobok 24 mesiacov. Začína plynúť odo dňa prevzatia veci kupujúcim okrem prípadu, kedy je nutné uvedenie do prevádzky oprávnenou firmou. V takomto prípade začne záručná doba plynúť odo dňa uvedenia výrobku do prevádzky.

Výrobky, ktoré vyžadujú odbornú montáž/pripojenie: plynové a kombinované sporáky a varné panely, ďalej všetky spotrebiče, ktoré nie sú vybavené prívodným elektrickým káblom zakončeným vidlicou. Zapojenie spotrebiča je službou hradenou zákazníkom. Dovozca nezodpovedá za poškodenie vzniknuté chybnou inštaláciou a chybným zapojením výrobku.

c) Záruka vyplývajúca z týchto záručných podmienok môže byť uplatnená iba na území Slovenskej republiky a týka sa len a výhradne spotrebičov dovezených do SR prostredníctvom našej spoločnosti, BEKO Slovakia s.r.o., Suché mýto 1, 811 03 Bratislava, ktorá je oficiálnym zastúpením značky BEKO pre Slovenskú republiku.

d) Záruka je poskytovaná kupujúcemu (konečnému spotrebiteľovi) v súlade so zákonom č. 634/1992 Zb., o ochrane spotrebiteľa v platnom znení, na výrobok slúžiaci bežnému používaniu v domácnosti. Výrobok nie je určený k priemyslovému používaniu a poskytovaniu služieb. Spotrebiče, ktoré nie sú používané v domácnosti, nie sú predmetom záruky (hotelové a reštauračné zariadenia, školské zariadenia, upratovacie firmy, atď...)

e) Práva za zodpovednosť za závady výrobku sa uplatňujú u predávajúceho. Záručná oprava sa vzťahuje výhradne na závady, ktoré vzniknú v dobe platnosti záručnej lehoty a to výrobnou vadou. Takto vzniknuté závady je oprávnený odstrániť iba autorizovaný servis.

O odstránení závad výrobku v záručnej lehote je kupujúci oprávnený požiadať predajcu alebo **Zákaznícke centrum BEKO tel: 0800 171 250 [http://www.towdy.sk/beko/index.php?option=com\\_rsform&Itemid=3](http://www.towdy.sk/beko/index.php?option=com_rsform&Itemid=3)** .

f) Zákazník musí pri objednaní opravy nahlásiť dátum predaja, model spotrebiča, výrobné a produktové číslo, ktoré sa nachádza na výrobnom štítku každého spotrebiča. Bez nahlásenia týchto údajov nebude môcť byť požiadavka zákazníka na bezplatnú opravu vyriešená. Zákazník je ďalej povinný poskytnúť autorizovanému servisu súčinnosť potrebnú k overeniu existencie prípadne odstránenie reklamovanej závady.

g) Pri návšteve servisného technika kupujúci preukáže existenciu záruky predložením čitateľného predajného dokladu alebo certifikátu 5 rokov záruky BEKO. Po vykonaní záručnej opravy sú autorizované servisné strediská alebo predávajúci povinní vydať kupujúcemu čitateľnú kópiu opravného listu alebo doklad o uplatnení práva záruky a dobe trvania opravy. Po dobu záruky je kupujúci si povinný uschovávať všetky doklady súvisiace s kúpou a servisom výrobku. Opravný list slúži k preukazovaniu práv kupujúceho, preto je vo vlastnom záujme kupujúceho si skontrolovať pred podpisom všetky údaje. Záručná lehota sa v prípadoch, kedy závrada znemožnila používanie výrobku, predlžuje o dobu, kedy kupujúci uplatnil nárok na záručnú opravu u autorizovaného strediska až do dňa prevzatia opraveného výrobku.

h) Výrobok musí byť inštalovaný a používaný podľa návodu k obsluhu a platných noriem. Funkcia chladničiek, mrazničiek a iných kombinácií je zaručená pri teplote okolia od +10°C do +32°C.

i) Touto zárukou nie sú dotknuté práva kupujúceho, ktoré sa ku kúpe veci viažu podľa zvláštnych právnych predpisov.

j) Spoločnosť BEKO Slovakia s.r.o., Suché mýto 1, 811 03 Bratislava ponúka spotrebiteľom na vybrané modely **predlžené záruku v celkovej dĺžke trvania 5 rokov**. Predmetom tejto nadštandardnej záruky je bezplatné odstraňovanie výrobných závad po dobu nasledujúcich 36 mesiacov od skončenia zákonnej dvojročnej záručnej lehoty.

Podmienkou získania certifikátu predlženej záruky je splnenie všetkých podmienok uvedených na [www.bekosk.sk](http://www.bekosk.sk).

O odstránení závad výrobku v predlženej záručnej lehote je kupujúci oprávnený požiadať **Zákaznícke centrum BEKO tel: 0800 171 250** [http://www.towdy.sk/beko/index.php?option=com\\_rsform&Itemid=3](http://www.towdy.sk/beko/index.php?option=com_rsform&Itemid=3).

Pri opravě v rámci predlženej záruky je užívateľ povinný autorizovanému servisu predložiť platný certifikát predlženej záruky a predajný doklad.

V dobe trvania predlženej záruky bude oprávnená reklamácia riešená opravou alebo dodaním náhradného dielu. V prípade neodstrániteľnej závady zaistiť dovozca priamo u zákazníka výmenu výrobku za nový. Nárok na výmenu uplatňuje zákazník po zaslaní všetkých potrebných dokladov /platný certifikát, doklad o zakúpení, vyjadrenie servisného technika/ na e-mail: [reklamacie.beko@bekosa.cz](mailto:reklamacie.beko@bekosa.cz) alebo poštou na adresu **BEKO s.r.o., Továrnská 532, 905 01 Senica**. Spotrebiteľ nemá právo v priebehu predlženej záruky na vrátenie kúpnej čiastky. Uplatnenie práva na bezplatné odstraňovanie výrobných závad podlieha týmto uvedeným všeobecným záručným podmienkam.

#### **Právo na uplatnenie záruky zaniká ak:**

- nie je výrobok používaný v súlade s návodom
- došlo k mechanickému poškodeniu výrobku cudzím zavinením, pri nesprávnej údržbe alebo iným zanedbaním starostlivosti o výrobok
- bol na výrobku urobený neodborný zásah neoprávnenou osobou
- plynové spotrebiče alebo spotrebiče s napájaním 400V neboli uvedené do prevádzky odbornou firmou
- došlo k mechanickému poškodeniu pri preprave
- je závrada spôsobená vonkajšími podmienkami, ako sú napr. poruchy v elektrickej sieti alebo vadná bytová inštalácia, nevhodnými prevádzkovými podmienkami, poškodenie živlom
- je výrobok vadný z dôvodu použitia neoriginálneho príslušenstva a náhradných dielov
- kuchynská linka, do ktorej je výrobok zabudovaný, nespĺňa technické parametre
- záruka sa ďalej nevzťahuje na preventívnu údržbu popísanú v návode k obsluhu, poprípade závady spôsobené nevhodnou manipuláciou, na opotrebenie vzniknuté bežným používaním, mechanické poškodenie sklenených a plastových komponentov
- záruka sa nevzťahuje na návštevu technika za účelom poradenstva, preventívna kontrola stavu spotrebiča, výmena náhradného dielu, ktorý nevyžaduje odborný zásah, výmena smeru otvárania dverí chladničky

Arçelik A.Ş.  
Karaağaç Caddesi No: 2-6, 34445,  
Sütlüce, İstanbul, Türkiye

[www.beko.com](http://www.beko.com)